



DATA SHEET	52104490
SKINDICHT® MA-PG/M	valid from : 15.1.2016

The SKINDICHT® MA-PG/M is a reducer from an outer PG-thread to an inner metric thread.



Technical features:

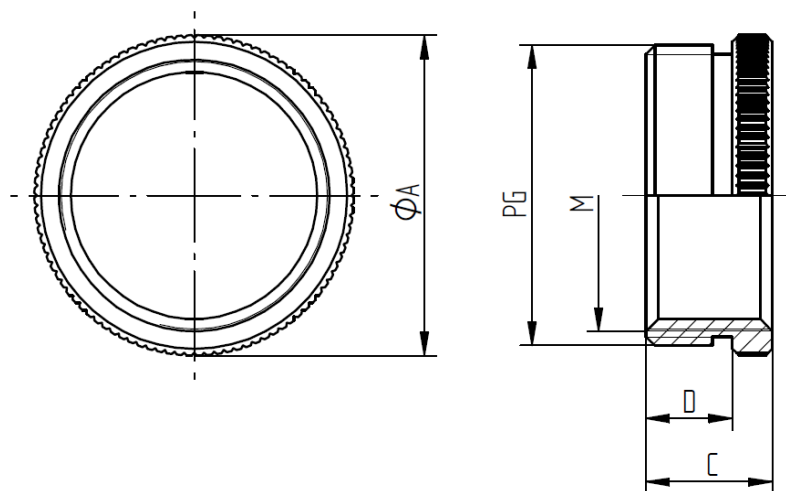
Material	Brass, nickel-plated
External thread	PG7 up to PG36 acc. to DIN 40430
Internal thread	M12x1,5 up to M40x1,5 acc. to EN 60423
Design	Form A Knurl Form B Smooth

Norm references:



For more information please see our current catalogue.

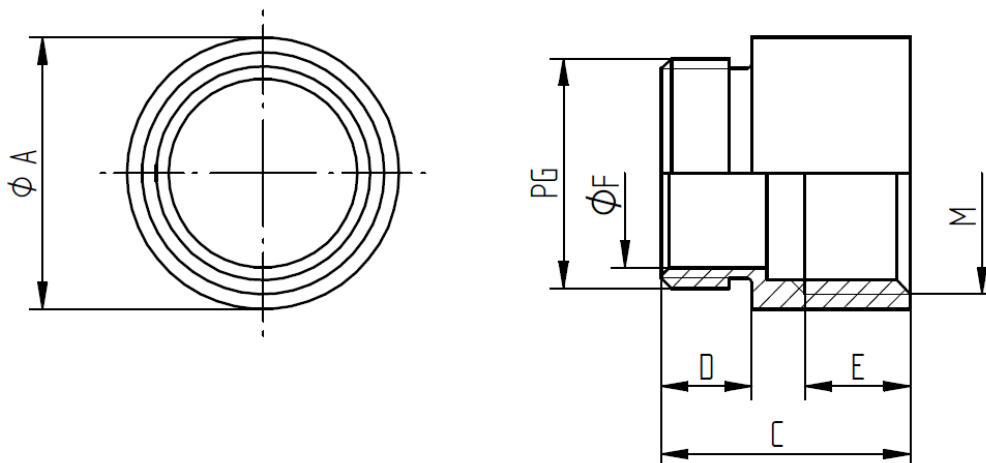
SKINDICHT® MA-PG/M
Form A



External thread PG	Internal thread M	Ø A [mm]	C [mm]	D [mm]	Article No.
PG 11	M16x1,5	20	8,5	6	52104492
PG 16	M20x1,5	24	9,5	6,5	52104495
PG 21	M20x1,5	30	10	7	52104497
PG 21	M25x1,5	30	10	7	52104498
PG 29	M25x1,5	39	11,5	8	52104500
PG 29	M32x1,5	39	11,5	8	52104501
PG 36	M40x1,5	50	12,5	9	52104503

DATA SHEET	52104490
SKINDICHT® MA-PG/M	valid from : 15.1.2016

SKINDICHT® MA-PG/M
Form B



External thread PG	Internal thread M	ϕA [mm]	C [mm]	D [mm]	E [mm]	F [mm]	Article No.
PG 7	M12x1,5	14	15	5	6	10	52104490
PG 9	M16x1,5	18	16,5	6	7	12,5	52104491
PG 11	M20x1,5	22	18,5	6	8,5	15	52104493
PG 13,5	M20x1,5	22	19	6,5	8,5	17	52104494
PG 16	M25x1,5	27	21	6,5	8,5	18,5	52104496
PG 21	M32x1,5	34	23	7	10	24	52104499
PG 29	M40x1,5	42	25,5	8	11	32	52104502