



DATA SHEET	52104450
SKINDICHT® ME-M	valid from : 15.1.2016

The SKINDICHT® ME-M enlargers enable the use of the cable glands with bigger outer thread than the already existing thread openings on machines, devices and housings.



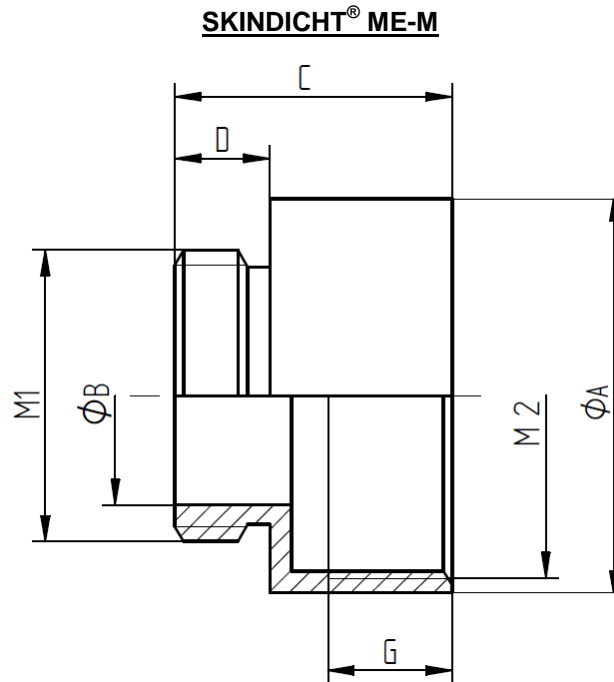
Technical features:

Material	Brass, nickel-plated
External tread	M12x1,5 up to M50x1,5 acc. to EN 60423
Internal thread	M16x1,5 up to M63x1,5 acc. to EN 60423

Norm references:



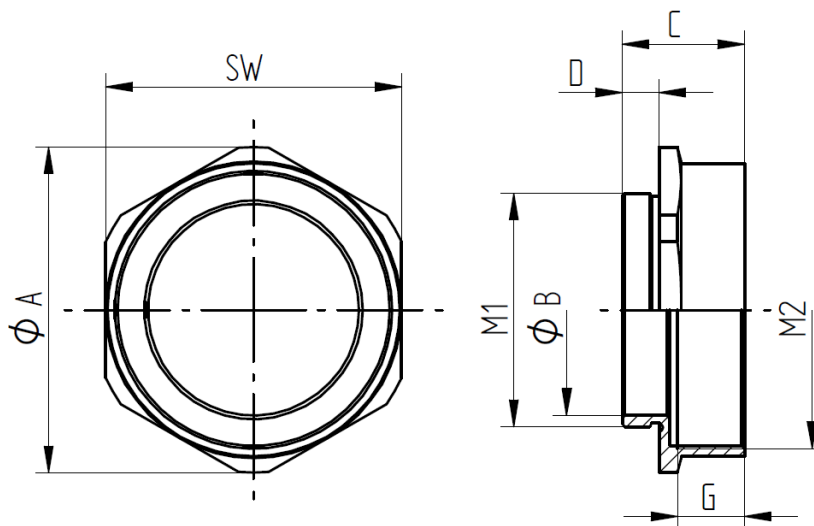
For more information please see our current catalogue.



External tread M1	Internal thread M2	Ø A [mm]	Ø B [mm]	C [mm]	D [mm]	G [mm]	Article No.
M12x1,5	M16x1,5	18	8	15	5	7,5	52104450
M16x1,5	M20x1,5	22	12	17,5	6	8,5	52104452
M20x1,5	M25x1,5	27	15	19	6,5	8,5	52104454
M25x1,5	M32x1,5	34	20	21	6,5	9,5	52104456
M32x1,5	M40x1,5	42	26	23	7	9,5	52104458
M40x1,5	M50x1,5	53	33	31	9	11	52104460
M50x1,5	M63x1,5	67	43	33	10	16	52104462

DATA SHEET	52104450
SKINDICHT® ME-M	valid from : 15.1.2016

SKINDICHT® ME-M 6 Kt.



External tread M1	Internal thread M2	SW [mm]	Ø A [mm]	Ø B [mm]	C [mm]	D [mm]	G [mm]	Article No.
M63x1,5	M75x1,5	80	88	57	33	10	18	52104463