



DATA SHEET	52103300
SKINDICHT® SM-PE-M	valid from : 15.1.2016

The SKINDICHT® SM-PE-M is an earth-equipotential locknut, nickel-plated brass with metric thread.
 The SKINDICHT® SM-PE-M is required wherever varnished, anodized and powder coated housings are used. When the locknut is tightened, it cuts through the insulating layer guaranteeing optimum contact.



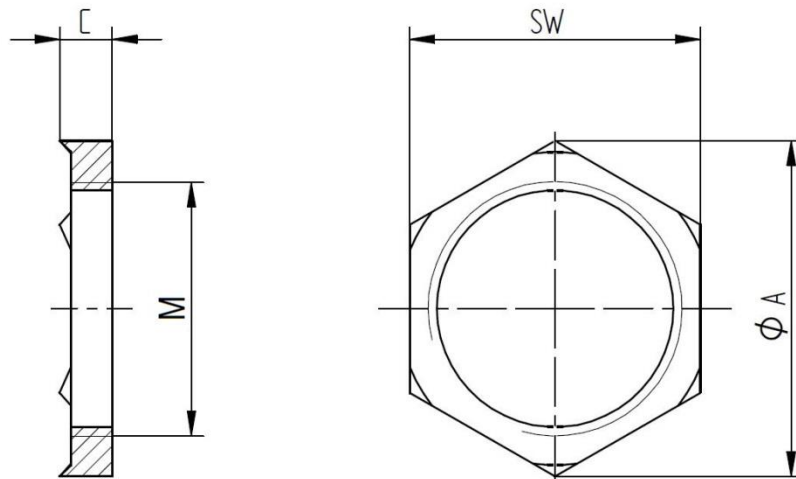
Technical features:

Material Brass, nickel-plated
 Size M12x1,5 up to M110x2 acc. to EN 60423

Norm references:



For more information please see our current catalogue.



Thread M	SW [mm]	Ø A [mm]	C [mm]	Article No.
M12x1,5	15	17,32	4,7	52103300
M16x1,5	19	21,94	4,7	52103310
M20x1,5	24	27,70	4,7	52103320
M25x1,5	30	34,60	5,2	52103330
M32x1,5	36	41,5	5,7	52103340
M40x1,5	46	53,1	6,5	52103350
M50x1,5	60	69,28	6,5	52103360
M63x1,5	70	80,83	7,0	52103370
M75x1,5	85	95	8	52103371
M90x2	102	114	10	52103372
M110x2	124	135	12	52103373