



DATA SHEET	52103200
SKINDICHT® SM-PE	valid from : 15.1.2016

The SKINDICHT® SM-PE is an earth-equipotential locknut from nickel-plated brass with PG-thread. The SKINDICHT® SM-PE is required wherever varnished, anodized and powder coated housings are used. When the locknut is tightened, it punches an insulating layer guaranteeing optimum contact.



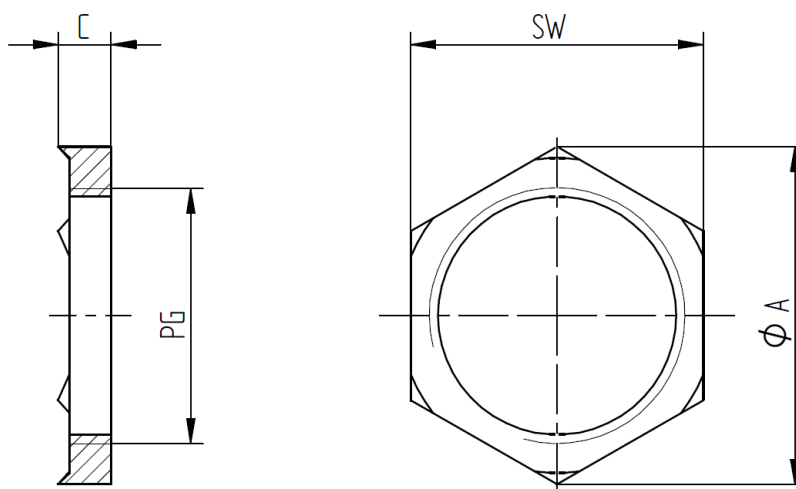
Technical features:

Material Brass, nickel-plated
Thread PG7 up to PG36 acc. to DIN 40430

Norm references:



For more information please see our current catalogue.



PG-thread	SW [mm]	Ø A [mm]	C [mm]	Article No.
PG 7	15	17,3	4,7	52103200
PG 9	18	20,8	4,7	52103210
PG 11	21	24,3	4,7	52103220
PG 13,5	23	26,6	4,7	52103230
PG 16	26	30,0	4,7	52103240
PG 21	32	37,0	5,2	52103250
PG 29	41	47,3	5,7	52103260
PG 36	51	58,9	6,5	52103270