

## Snapper Hose Clamps

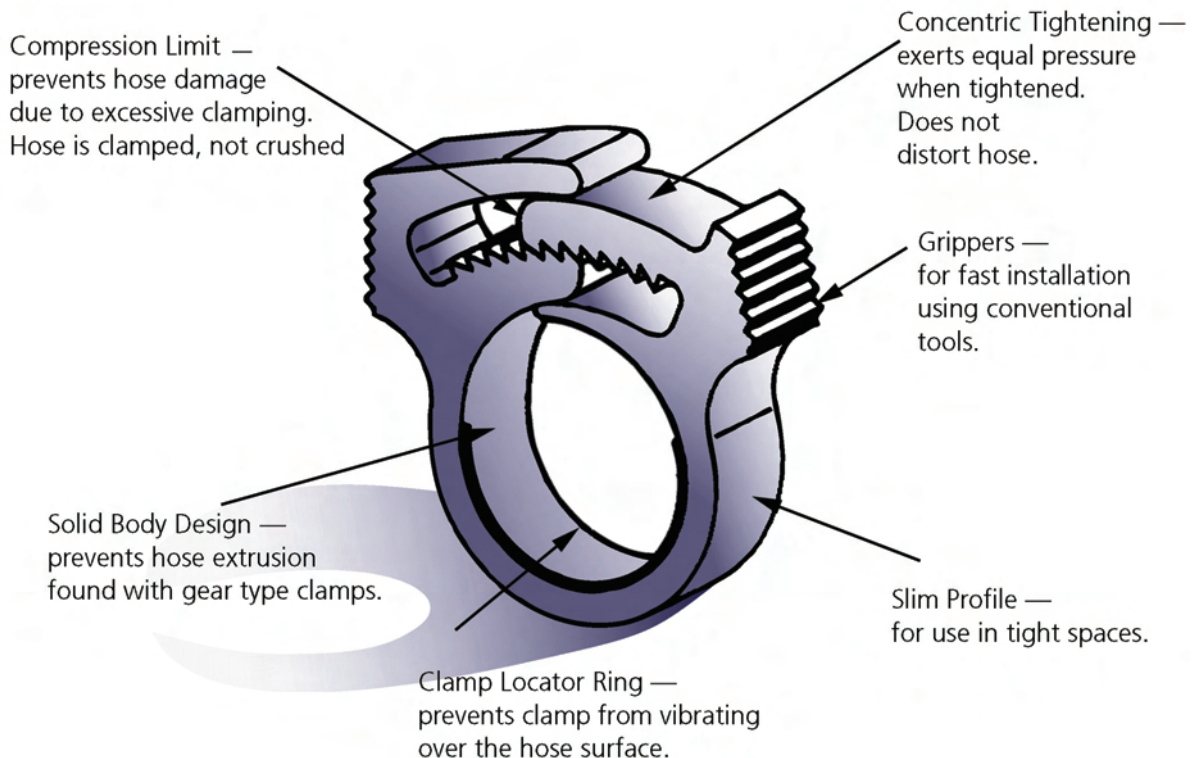
HellermannTyton's Snapper is a lightweight, corrosion resistant hose clamp manufactured from high performance, thermoplastic materials selected to work well in a variety of diverse environments. A quick, ratchet closure provides for reduced application time and allows for application after connection of the hose. Release is achieved by initiating opposed lateral movement of the ratchet ends. Heat stabilized materials are available for high temperature, motor and under-hood applications. Snappers are also stable in a wide variety of chemicals including salts, bases, alcohols, ethers, detergents, gasoline, lubricating oils, and greases.



The Snapper is available in 32 standard sizes ranging from 1/4" to 4-1/2" ID. Snappers are manufactured in white polyacetal and black polyamide 6.6 glass filled impact modified heat stabilized material. Custom designed and different colored or shaped Snappers are available based upon applications and volume requirements.

### Snapper Clamp Features

- Will not rust or corrode
- Installation and removal can be five times faster than conventional clamps
- Completely reusable
- Safety engineered
- No protruding band or cluster
- Can be installed with hose in place
- Will not damage hose
- One hand installation for tight places



## Snapper Hose Clamp Applications



Snapper clamp selection will vary with hose thickness and fitting sizes. End use testing is recommended to determine the actual size needed for each application.

### Snapper Clamp Applications

Snapper hose clamps are used in a variety of markets and diverse applications.

- Automotive
- Air Lines
- Pumps
  
- Marine
- Drain Lines
- Sprayers
  
- Truck
- Water Lines
- Fuel Lines
  
- Heavy Equipment
- Sprinkler Systems
- Garden Hoses
  
- Many more hose and tubing applications

Double Braid Utility Hoses		Clear Vinyl Tubing		Neoprene Hoses		Fuel Line Hoses	
Diameter	Product	(I.D.) - (O.D.)	Product	Diameter	Product	Diameter	Product
1/4"	Snapper 8	3/16" - 5/16"	Snapper 1.5	1/8"	Snapper 1.5	1/4"	Snapper 6
3/8"	Snapper 12	1/4" - 3/8"	Snapper 4	3/16"	Snapper 2	5/8"	Snapper 8
1/2"	Snapper 19	5/16" - 7/16"	Snapper 6	9/32"	Snapper 8	3/8"	Snapper 12
5/8"	Snapper 22	3/8" - 1/2"	Snapper 8	3/8"	Snapper 12		
3/4"	Snapper 28	1/2" - 5/8"	Snapper 12	Garden Hoses		Heater Hoses	
1"	Snapper 33/34	5/8" - 7/8"	Snapper 19	1/2"	Snapper 14	1/2"	Snapper 18
1-1/4"	Snapper 38	3/4" - 1"	Snapper 24	5/8"	Snapper 18	5/8"	Snapper 19
1-1/2"	Snapper 50	1" - 1-1/4"	Snapper 32	3/4"	Snapper 32	3/8"	Snapper 24

## Snapper Hose Clamp Tools

Snapper installation tools are available in both pneumatic and mechanical versions. They are specifically developed to increase reliability, reduce operator fatigue and installation time.

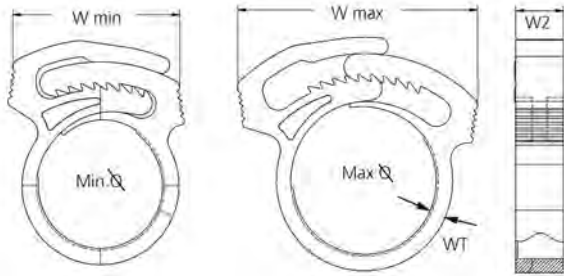


Product Selection			Tool Description			Snapper Range
Article No.	Part No.	Type	Type	Use	Stroke	
191-00010	PHSNP2-36	PHSNP2-36	Pneumatic	Production	Horizontal	2-36
191-00012	PHSNP38-100	PHSNP38-100				38-100
191-00014	PSNP2-22	PSNP2-22			Vertical	2-22
191-00019	PSNP24-70	PSNP24-70				24-70
191-02220	ASNP2-22	ASNP2-22	Mechanical	Production	Vertical	2-22
191-24700	ASNP24-70	ASNP24-70				24-70
191-01700	MSNP1-70	MSNP1-70			Maintenance/ Removal	Vertical

Use **Part No.** for ordering and **Type** for specification purposes.

# Clamps

## Snapper Hose Clamps Polyamide 6.6 Glass Filled Impact Modified Heat Stabilized



Material Data	
Material	<b>Polyamide 6.6 glass filled impact modified heat stabilized (PA66GF13%)</b>
Operating Temperature	<b>-40 °F to +221 °F (-40 °C to +105 °C)</b>
Color	<b>Black</b>
Flammability	<b>UL94 HB</b>



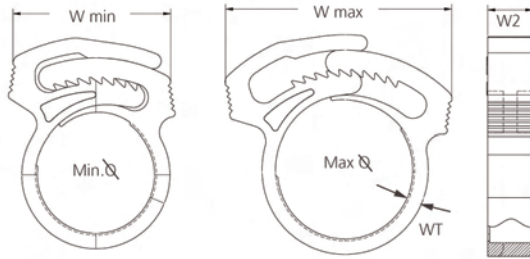
### Product Selection

Article No.	Part No.	Type	Min. Ø	Max. Ø	Width (W2)	Wall Thickness (WT)	Width (W) Min.	Width (W) Max.	Pkg. Qty.
					in. (mm)	in. (mm)	in. (mm)	in. (mm)	
192-10010	SNP1GHS0C2	SNP1	0.233 " (5.928)	0.262 " (6.643)	0.149" (3.838)	0.04 " (1.01)	0.323" (8.181)	0.456" (11.615)	100
190-00019	SNP1GHS0M4		0.233 " (5.928)	0.262 " (6.643)	0.149" (3.838)	0.04 " (1.01)	0.323" (8.181)	0.456" (11.615)	1000
190-00029	SNP1.25GHS0C2	SNP1.25	0.275 " (6.95)	0.297 " (7.563)	0.15" (3.838)	0.042 " (1.111)	0.408" (10.403)	0.491" (12.423)	100
190-00030	SNP1.25GHS0M4		0.275 " (6.95)	0.297 " (7.563)	0.15" (3.838)	0.042 " (1.111)	0.408" (10.403)	0.491" (12.423)	1000
190-00251	SNP1.5GHS0C2	SNP1.5	0.314 " (7.972)	0.35 " (8.891)	0.147" (3.737)	0.055 " (1.414)	0.414" (10.504)	0.593" (15.049)	100
190-00035	SNP1.5GHS0M4		0.314 " (7.972)	0.35 " (8.891)	0.147" (3.737)	0.055 " (1.414)	0.414" (10.504)	0.593" (15.049)	1000
192-10020	SNP2GHS0C2	SNP2	0.359 " (9.096)	0.403 " (10.22)	0.233" (5.959)	0.068 " (1.717)	0.477" (12.12)	0.679" (17.271)	100
190-00098	SNP2GHS0M4		0.359 " (9.096)	0.403 " (10.22)	0.233" (5.959)	0.068 " (1.717)	0.477" (12.12)	0.679" (17.271)	1000
190-00132	SNP3GHS0C2	SNP3	0.396 " (10.016)	0.45 " (11.446)	0.234" (5.959)	0.07 " (1.818)	0.567" (14.342)	0.805" (20.402)	100
190-00134	SNP3GHS0M4		0.396 " (10.016)	0.45 " (11.446)	0.234" (5.959)	0.07 " (1.818)	0.567" (14.342)	0.805" (20.402)	1000
192-10040	SNP4GH0C2	SNP4	0.413 " (10.527)	0.462 " (11.753)	0.235" (5.959)	0.067 " (1.717)	0.529" (13.433)	0.756" (19.19)	100
190-00167	SNP4GHS0M4		0.413 " (10.527)	0.462 " (11.753)	0.235" (5.959)	0.067 " (1.717)	0.529" (13.433)	0.756" (19.19)	1000
192-10060	SNP6GHS0C2	SNP6	0.459 " (11.651)	0.522 " (13.286)	0.235" (5.959)	0.07 " (1.818)	0.578" (14.645)	0.846" (21.513)	100
190-00186	SNP6GHS0M4		0.459 " (11.651)	0.522 " (13.286)	0.235" (5.959)	0.07 " (1.818)	0.578" (14.645)	0.846" (21.513)	1000
192-10070	SNP7GHS0C2	SNP7	0.463 " (11.753)	0.558 " (14.206)	0.235" (5.959)	0.07 " (1.818)	0.653" (16.564)	0.981" (24.947)	100
190-00202	SNP7GHS0M4		0.463 " (11.753)	0.558 " (14.206)	0.235" (5.959)	0.07 " (1.818)	0.653" (16.564)	0.981" (24.947)	1000
192-10080	SNP8GHS0C2	SNP8	0.524 " (13.286)	0.599 " (15.228)	0.233" (5.959)	0.07 " (1.818)	0.653" (16.564)	0.981" (24.947)	100
190-00222	SNP8GHS0M4		0.524 " (13.286)	0.599 " (15.228)	0.233" (5.959)	0.07 " (1.818)	0.653" (16.564)	0.981" (24.947)	1000
192-10100	SNP10GHS0C2	SNP10	0.582 " (14.819)	0.664 " (16.863)	0.235" (5.959)	0.069 " (1.717)	0.682" (17.372)	1.038" (26.361)	100
190-00043	SNP10GHS0M4		0.582 " (14.819)	0.664 " (16.863)	0.235" (5.959)	0.069 " (1.717)	0.682" (17.372)	1.038" (26.361)	1000
190-00254	SNP12AGHS0C2	SNP12A	.626 " (15.9)	.716 " (18.2)	.233" (5.92)	.070 " (1.78)	.816" (20.7)	1.172" (29.8)	100
190-00255	SNP12AGHS0M4		.626 " (15.9)	.716 " (18.2)	.233" (5.92)	.070 " (1.78)	.816" (20.7)	1.172" (29.8)	1000
190-00300	SNP14AGHS0C2	SNP14A	0.729 " (18.52)	0.827 " (21.01)	0.234" (5.94)	0.070 " (1.78)	0.823" (20.9)	1.185" (30.1)	100
190-00301	SNP14AGHS0M4		0.729 " (18.52)	0.827 " (21.01)	0.234" (5.94)	0.070 " (1.78)	0.823" (20.9)	1.185" (30.1)	1000
192-10160	SNP16GHS0C2	SNP16	0.776 " (19.735)	0.867 " (21.973)	0.234" (5.959)	0.068 " (1.717)	0.795" (20.2)	1.222" (31.209)	100
190-00076	SNP16GHS0M4		0.776 " (19.735)	0.867 " (21.973)	0.234" (5.959)	0.068 " (1.717)	0.795" (20.2)	1.222" (31.209)	1000
190-00258	SNP18AGHS0C2	SNP18A	.802 " (20.4)	.940 " (23.9)	.240" (6.1)	.070 " (1.78)	.958" (24.3)	1.418" (36)	100
190-00259	SNP18AGHS0M4		.802 " (20.4)	.940 " (23.9)	.240" (6.1)	.070 " (1.78)	.958" (24.3)	1.418" (36)	1000

Dimensions are approximate and subject to technical changes. Use **Part No.** for ordering and **Type** for specification purposes. Snapper performance varies on application and environmental factors; end use testing is highly recommended.

Snapper Hose Clamps

Polyamide 6.6 Glass Filled Impact Modified Heat Stabilized (continued)



Material Data	
Material	Polyamide 6.6 glass filled impact modified heat stabilized (PA66GF13%)
Operating Temperature	-40 °F to +221 °F (-40 °C to +105 °C)
Color	Black
Flammability	UL94 HB



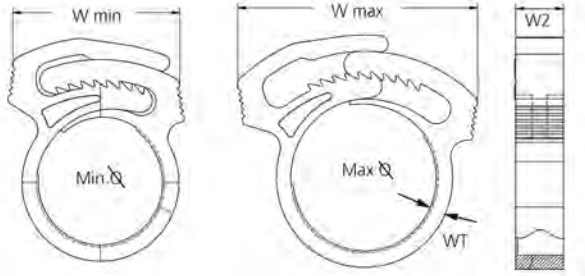
Product Selection

Article No.	Part No.	Type	Min. Ø	Max. Ø	Width (W2)	Wall Thickness (WT)	Width (W) Min.	Width (W) Max.	Pkg. Qty.
					in. (mm)	in. (mm)	in. (mm)	in. (mm)	
190-0090	SNP19GHS0C2	SNP19	0.878 " (22.28)	1.011 " (25.652)	0.234" (5.959)	0.071 " (1.818)	0.908"(23.028)	1.423" (36.158)	100
190-0093	SNP19GHS0M4		0.878 " (22.28)	1.011 " (25.652)	0.234" (5.959)	0.071 " (1.818)	0.908"(23.028)	1.423" (36.158)	1000
192-10220	SNP22GHS0C2	SNP22	0.948 " (24.119)	1.096 " (27.798)	0.236" (5.959)	0.071 " (1.818)	0.941"(23.937)	1.488" (37.774)	100
190-00111	SNP22GHS0M4		0.948 " (24.119)	1.096 " (27.798)	0.236" (5.959)	0.071 " (1.818)	0.941"(23.937)	1.488" (37.774)	1000
192-10240	SNP24GHS0C2	SNP24	1.007 " (25.55)	1.16 " (29.434)	0.295" (7.474)	0.07 " (1.818)	0.973"(24.745)	1.538" (39.087)	100
190-00119	SNP24GHS0H4		1.007 " (25.55)	1.16 " (29.434)	0.295" (7.474)	0.07 " (1.818)	0.973"(24.745)	1.538" (39.087)	500
190-00127	SNP28GHS0C2	SNP28	1.148 " (29.127)	1.325 " (33.624)	0.291" (7.373)	0.069 " (1.717)	1.018"(25.856)	1.647" (41.814)	100
190-00128	SNP28GHS0H4		1.148 " (29.127)	1.325 " (33.624)	0.291" (7.373)	0.069 " (1.717)	1.018"(25.856)	1.647" (41.814)	500
192-10320	SNP32GHS0K2	SNP32	1.245 " (31.58)	1.436 " (36.485)	0.29" (7.373)	0.069 " (1.717)	1.075" (27.27)	1.741" (44.238)	50
190-00140	SNP32GHS0H4		1.245 " (31.58)	1.436 " (36.485)	0.29" (7.373)	0.069 " (1.717)	1.075" (27.27)	1.741" (44.238)	500
190-00244	SNP33GHS0K2	SNP33	1.311 " (33.317)	1.63 " (41.391)	0.293" (7.474)	0.068 " (1.717)	1.58" (9.797)	2.542" (64.539)	50
190-00148	SNP33GHS0H4		1.311 " (33.317)	1.63 " (41.391)	0.293" (7.474)	0.068 " (1.717)	1.58" (9.797)	2.542" (64.539)	500
190-00149	SNP34GHS0K2	SNP34	1.367 " (34.748)	1.6 " (40.676)	0.295" (7.474)	0.069 " (1.717)	1.198"(30.401)	1.986" (50.399)	50
190-00150	SNP34GHS0H4		1.367 " (34.748)	1.6 " (40.676)	0.295" (7.474)	0.069 " (1.717)	1.198"(30.401)	1.986" (50.399)	500
192-10360	SNP36GHS0K2	SNP36	1.504 " (38.223)	1.762 " (44.764)	0.29" (7.373)	0.068 " (1.717)	1.274" (32.32)	2.113" (53.631)	50
190-00158	SNP36GHS0H4		1.504 " (38.223)	1.762 " (44.764)	0.29" (7.373)	0.068 " (1.717)	1.274" (32.32)	2.113" (53.631)	500
192-10380	SNP38GHS0K2	SNP38	1.629 " (41.391)	1.903 " (48.341)	0.294" (7.474)	0.069 " (1.717)	1.362"(34.643)	2.261" (57.469)	50
190-00163	SNP38GHS0H4		1.629 " (41.391)	1.903 " (48.341)	0.294" (7.474)	0.069 " (1.717)	1.362"(34.643)	2.261" (57.469)	500
191-00005	SNP42NGHS0K2	SNP42N	1.768 " (44.866)	2.054 " (52.224)	0.358" (9.09)	0.069 " (1.717)	1.383"(35.148)	2.325" (59.085)	50
191-00008	SNP42NGHS0C2		1.768 " (44.866)	2.054 " (52.224)	0.358" (9.09)	0.069 " (1.717)	1.383"(35.148)	2.325" (59.085)	100
192-10500	SNP50GHS0C2	SNP50	2.042 " (51.92)	2.327 " (59.07)	0.294" (7.474)	0.068 " (1.717)	1.425"(36.158)	2.364" (60.095)	100
190-00197	SNP60GHS0C2	SNP60	2.308 " (58.66)	2.639 " (67.04)	0.294" (7.474)	0.068 " (1.717)	1.463"(38.481)	2.585" (65.65)	100
190-00209	SNP70GHS0C2	SNP70	2.562 " (65.10)	2.961 " (75.22)	0.374" (9.494)	0.078 " (2.02)	1.834"(46.561)	3.02" (76.659)	100
190-00215	SNP76GHS0C2	SNP76	2.901 " (73.69)	3.276 " (83.19)	0.391" (9.898)	0.067 " (1.717)	1.704"(43.329)	2.862" (72.72)	100
190-00229	SNP80GHS0C2	SNP80	3.224 " (81.86)	3.600 " (91.47)	0.453" (11.514)	0.101 " (2.525)	1.913"(48.581)	3.171" (80.598)	100
190-00249	SNP90GHS0C2	SNP90	3.583 " (91.06)	4.008 " (101.79)	0.389" (9.898)	0.068 " (1.717)	1.936"(49.187)	3.236" (82.214)	100
192-11000	SNP100GHS0X2	SNP100	3.956 " (100.46)	4.491 " (114.06)	0.398" (10.1)	0.099 " (2.424)	2.068" (52.52)	3.543" (89.991)	25
190-00053	SNP101GHS0X2	SNP101	4.121 " (104.65)	4.718 " (119.88)	0.446" (11.312)	0.099 " (2.525)	2.426" (61.61)	4.261"(108.272)	25

Dimensions are approximate and subject to technical changes. Use **Part No.** for ordering and **Type** for specification purposes. Snapper performance varies on application and environmental factors; end use testing is highly recommended.

# Clamps

## Snapper Hose Clamps Polyacetal (POM)



Material Data	
Material	<b>Polyacetal (POM)</b>
Operating Temperature	<b>-40 °F to +185 °F (-40 °C to +85 °C)</b>
Color	<b>White</b>
Flammability	<b>UL94 HB</b>

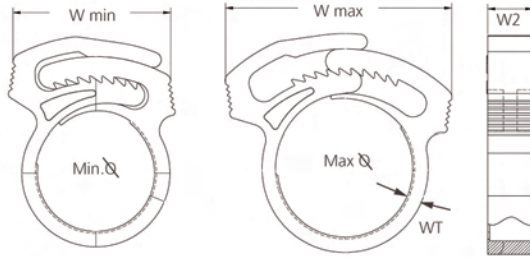


### Product Selection

Article No.	Part No.	Type	Min. Ø	Max. Ø	Width (W2)	Wall Thickness (WT)	Width (W) Min.	Width (W) Max.	Pkg. Qty.
					in. (mm)	in. (mm)	in. (mm)	in. (mm)	
190-00022	<b>SNP110C2</b>	SNP1	0.228 " (5.8)	0.256 " (6.5)	0.148" (3.8)	0.04 " (1)	0.32" (8.1)	0.451" (11.5)	100
190-00023	<b>SNP110M4</b>		0.228 " (5.8)	0.256 " (6.5)	0.148" (3.8)	0.04 " (1)	0.32" (8.1)	0.451" (11.5)	1000
190-00027	<b>SNP1.2510C2</b>	SNP1.25	0.269 " (6.8)	0.291 " (7.4)	0.149" (3.8)	0.042 " (1.1)	0.404" (10.3)	0.486" (12.3)	100
190-00028	<b>SNP1.2510M4</b>		0.269 " (6.8)	0.291 " (7.4)	0.149" (3.8)	0.042 " (1.1)	0.404" (10.3)	0.486" (12.3)	1000
190-00033	<b>SNP1.510C2</b>	SNP1.5	0.307 " (7.8)	0.342 " (8.7)	0.146" (3.7)	0.054 " (1.4)	0.41" (10.4)	0.587" (14.9)	100
190-00034	<b>SNP1.510M4</b>		0.307 " (7.8)	0.342 " (8.7)	0.146" (3.7)	0.054 " (1.4)	0.41" (10.4)	0.587" (14.9)	1000
190-00101	<b>SNP210C2</b>	SNP2	0.351 " (8.9)	0.394 " (10)	0.231" (5.9)	0.067 " (1.7)	0.472" (12)	0.672" (17.1)	100
190-00102	<b>SNP210M4</b>		0.351 " (8.9)	0.394 " (10)	0.231" (5.9)	0.067 " (1.7)	0.472" (12)	0.672" (17.1)	1000
190-00135	<b>SNP310C2</b>	SNP3	0.387 " (9.8)	0.44 " (11.2)	0.232" (5.9)	0.069 " (1.8)	0.561" (14.2)	0.797" (20.2)	100
190-00136	<b>SNP310M4</b>		0.387 " (9.8)	0.44 " (11.2)	0.232" (5.9)	0.069 " (1.8)	0.561" (14.2)	0.797" (20.2)	1000
190-00165	<b>SNP410C2</b>	SNP4	0.404 " (10.3)	0.452 " (11.5)	0.233" (5.9)	0.066 " (1.7)	0.524" (13.3)	0.749" (19)	100
190-00170	<b>SNP410M4</b>		0.404 " (10.3)	0.452 " (11.5)	0.233" (5.9)	0.066 " (1.7)	0.524" (13.3)	0.749" (19)	1000
190-00187	<b>SNP610C2</b>	SNP6	0.449 " (11.4)	0.511 " (13)	0.233" (5.9)	0.069 " (1.8)	0.572" (14.5)	0.838" (21.3)	100
190-00190	<b>SNP610M4</b>		0.449 " (11.4)	0.511 " (13)	0.233" (5.9)	0.069 " (1.8)	0.572" (14.5)	0.838" (21.3)	1000
190-00204	<b>SNP710C2</b>	SNP7	0.453 " (11.5)	0.546 " (13.9)	0.233" (5.9)	0.069 " (1.8)	0.647" (16.4)	0.971" (24.7)	100
190-00206	<b>SNP710M4</b>		0.453 " (11.5)	0.546 " (13.9)	0.233" (5.9)	0.069 " (1.8)	0.647" (16.4)	0.971" (24.7)	1000
190-00224	<b>SNP810C2</b>	SNP8	0.513 " (13)	0.586 " (14.9)	0.231" (5.9)	0.069 " (1.8)	0.647" (16.4)	0.971" (24.7)	100
190-00226	<b>SNP810M4</b>		0.513 " (13)	0.586 " (14.9)	0.231" (5.9)	0.069 " (1.8)	0.647" (16.4)	0.971" (24.7)	1000
190-00045	<b>SNP1010C2</b>	SNP10	0.569 " (14.5)	0.65 " (16.5)	0.233" (5.9)	0.068 " (1.7)	0.675" (17.2)	1.028" (26.1)	100
190-00046	<b>SNP1010M4</b>		0.569 " (14.5)	0.65 " (16.5)	0.233" (5.9)	0.068 " (1.7)	0.675" (17.2)	1.028" (26.1)	1000
190-00252	<b>SNP12A10C2</b>	SNP12A	.615 " (15.62)	.704 " (17.88)	.233" (5.92)	.070 " (1.78)	.802" (20.37)	1.152" (29.26)	100
190-00253	<b>SNP12A10M4</b>		.615 " (15.62)	.704 " (17.88)	.233" (5.92)	.070 " (1.78)	.802" (20.37)	1.152" (29.26)	1000
190-00302	<b>SNP14A10C2</b>	SNP14A	0.714 " (18.4)	0.810 " (20.57)	0.233" (5.92)	0.069 " (1.75)	0.805" (20.45)	1.157" (29.39)	100
190-00303	<b>SNP14A10M4</b>		0.714 " (18.4)	0.810 " (20.57)	0.233" (5.92)	0.069 " (1.75)	0.805" (20.45)	1.157" (29.39)	1000
190-00077	<b>SNP1610C2</b>	SNP16	0.759 " (19.31)	0.848 " (21.5)	0.232" (5.9)	0.067 " (1.7)	0.787" (20)	1.21" (30.9)	100
190-00079	<b>SNP1610M4</b>		0.759 " (19.31)	0.848 " (21.5)	0.232" (5.9)	0.067 " (1.7)	0.787" (20)	1.21" (30.9)	1000
181-00256	<b>SNP18A10C2</b>	SNP18A	.790 " (20)	.933 " (23.7)	.239" (6.07)	.067 " (1.7)	.940" (23.9)	1.391" (35.3)	100
190-00257	<b>SNP18A10M4</b>		.790 " (20)	.933 " (23.7)	.239" (6.07)	.067 " (1.7)	.940" (23.9)	1.391" (35.3)	1000

Dimensions are approximate and subject to technical changes. Use **Part No.** for ordering and **Type** for specification purposes. Acetal black is also available based upon minimum volume requirements. Snapper performance varies on application and environmental factors; end use testing is highly recommended.

## Snapper Hose Clamps Polyacetal (POM) (continued)



Material Data	
Material	<b>Polyacetal (POM)</b>
Operating Temperature	<b>-40 °F to +185 °F (-40 °C to +85 °C)</b>
Color	<b>White</b>
Flammability	<b>UL94 HB</b>



### Product Selection

Article No.	Part No.	Type	Min. Ø	Max. Ø	Width (W2)	Wall Thickness (WT)	Width (W) Min.	Width (W) Max.	Pkg. Qty.
					in. (mm)	in. (mm)	in. (mm)	in. (mm)	
190-00094	<b>SNP1910C2</b>	SNP19	0.859" (21.8)	0.989" (25.1)	0.232" (5.9)	0.07" (1.8)	0.899" (22.8)	1.409" (35.8)	100
190-00095	<b>SNP1910M4</b>		0.859" (21.8)	0.989" (25.1)	0.232" (5.9)	0.07" (1.8)	0.899" (22.8)	1.409" (35.8)	1000
190-00113	<b>SNP2210C2</b>	SNP22	0.928" (23.6)	1.072" (27.2)	0.234" (5.9)	0.07" (1.8)	0.932" (23.7)	1.473" (37.4)	100
190-00114	<b>SNP2210M4</b>		0.928" (23.6)	1.072" (27.2)	0.234" (5.9)	0.07" (1.8)	0.932" (23.7)	1.473" (37.4)	1000
190-00121	<b>SNP2410C2</b>	SNP24	0.985" (25)	1.135" (28.8)	0.292" (7.4)	0.069" (1.8)	0.963" (24.5)	1.523" (38.7)	100
190-00122	<b>SNP2410H4</b>		0.985" (25)	1.135" (28.8)	0.292" (7.4)	0.069" (1.8)	0.963" (24.5)	1.523" (38.7)	500
190-00124	<b>SNP2810C2</b>	SNP28	1.123" (28.5)	1.296" (32.9)	0.288" (7.3)	0.068" (1.7)	1.008" (25.6)	1.631" (41.4)	100
190-00125	<b>SNP2810H4</b>		1.123" (28.5)	1.296" (32.9)	0.288" (7.3)	0.068" (1.7)	1.008" (25.6)	1.631" (41.4)	500
190-00142	<b>SNP3210K2</b>	SNP32	1.218" (30.9)	1.405" (35.7)	0.287" (7.3)	0.068" (1.7)	1.064" (27)	1.724" (43.8)	50
190-00143	<b>SNP3210H4</b>		1.218" (30.9)	1.405" (35.7)	0.287" (7.3)	0.068" (1.7)	1.064" (27)	1.724" (43.8)	500
190-00146	<b>SNP3310K2</b>	SNP33	1.283" (32.6)	1.595" (40.5)	0.29" (7.4)	0.067" (1.7)	1.564" (9.7)	2.517" (63.9)	50
190-00147	<b>SNP3310H4</b>		1.283" (32.6)	1.595" (40.5)	0.29" (7.4)	0.067" (1.7)	1.564" (9.7)	2.517" (63.9)	500
190-00151	<b>SNP3410K2</b>	SNP34	1.338" (34)	1.566" (39.8)	0.292" (7.4)	0.068" (1.7)	1.186" (30.1)	1.966" (49.9)	50
190-00152	<b>SNP3410H4</b>		1.338" (34)	1.566" (39.8)	0.292" (7.4)	0.068" (1.7)	1.186" (30.1)	1.966" (49.9)	500
190-00157	<b>SNP3610K2</b>	SNP36	1.472" (37.4)	1.724" (43.8)	0.287" (7.3)	0.067" (1.7)	1.261" (32)	2.092" (53.1)	50
190-00156	<b>SNP3610H4</b>		1.472" (37.4)	1.724" (43.8)	0.287" (7.3)	0.067" (1.7)	1.261" (32)	2.092" (53.1)	500
190-00162	<b>SNP3810K2</b>	SNP38	1.594" (40.5)	1.862" (47.3)	0.291" (7.4)	0.068" (1.7)	1.349" (34.3)	2.239" (56.9)	50
190-00245	<b>SNP3810H4</b>		1.594" (40.5)	1.862" (47.3)	0.291" (7.4)	0.068" (1.7)	1.349" (34.3)	2.239" (56.9)	500
190-00247	<b>SNP42N10K2</b>	SNP42N	1.73" (43.9)	2.01" (51.1)	0.354" (9)	0.068" (1.7)	1.369" (34.8)	2.302" (58.5)	50
190-00246	<b>SNP42N10C2</b>		1.73" (43.9)	2.01" (51.1)	0.354" (9)	0.068" (1.7)	1.369" (34.8)	2.302" (58.5)	100
190-00248	<b>SNP5010C2</b>	SNP50	1.999" (50.8)	2.277" (57.8)	0.291" (7.4)	0.067" (1.7)	1.411" (35.8)	2.341" (59.5)	100
190-00196	<b>SNP6010C2</b>	SNP60	2.259" (57.4)	2.582" (65.6)	0.291" (7.4)	0.067" (1.7)	1.449" (38.1)	2.559" (65)	100
190-00212	<b>SNP7010C2</b>	SNP70	2.507" (63.7)	2.897" (73.6)	0.37" (9.4)	0.077" (2)	1.816" (46.1)	2.99" (75.9)	100
190-00217	<b>SNP7610C2</b>	SNP76	2.839" (72.1)	3.206" (81.4)	0.387" (9.8)	0.066" (1.7)	1.687" (42.9)	2.834" (72)	100
190-00231	<b>SNP8010C2</b>	SNP80	3.155" (80.1)	3.523" (89.5)	0.449" (11.4)	0.1" (2.5)	1.894" (48.1)	3.14" (79.8)	100
190-00233	<b>SNP9010C2</b>	SNP90	3.506" (89.1)	3.922" (99.6)	0.385" (9.8)	0.067" (1.7)	1.917" (48.7)	3.204" (81.4)	100
190-00052	<b>SNP10010X2</b>	SNP100	3.871" (98.3)	4.395" (111.6)	0.394" (10)	0.098" (2.4)	2.048" (52)	3.508" (89.1)	25
190-00250	<b>SNP10110X2</b>	SNP101	4.033" (102.4)	4.617" (117.3)	0.442" (11.2)	0.098" (2.5)	2.402" (61)	4.219" (107.2)	25

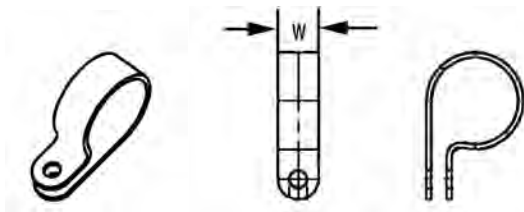
Dimensions are approximate and subject to technical changes. Use **Part No.** for ordering and **Type** for specification purposes.

# Clamps

## Clamps and Clips

### P Clamps

HellermannTyton's P clamps are designed for locating wires, cables, and components in instruments, appliances, and electrical apparatus. These injection molded clamps are used for both internal and external installations. The inside edges are radiused to prevent cutting into cable insulation.



Material Data	
Material	<b>Polyamide 6.6 heat stabilized (PA66HS)</b>
Color	<b>Black</b>
Operating Temperature	<b>-40 °F to +221 °F (-40 °C to +105 °C)</b>
Flammability	<b>UL94 V2</b>



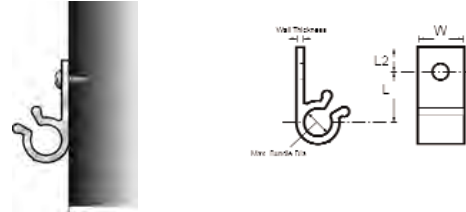
#### Product Selection

Article No.	Part No.	Type	Max. Ø Bundle	Width (W)	Mounting Hole Centers	Mounting Hole Ø	Radius	Pkg. Qty.
			in. (mm)	in. (mm)	in. (mm)	in. (mm)	in. (mm)	
211-60000	<b>211-60000</b>	H1P	.125" (3.2)	.393" (10.0)	.3346" (8.5)	.1654" (4.2)	.01969" (0.5)	100
211-60010	<b>211-60010</b>	H1P	.125" (3.2)	.393" (10.0)	.3346" (8.5)	.1654" (4.2)	.01969" (0.5)	1000
211-60001	<b>211-60001</b>	H2P	.196" (5.0)	.3937" (10.0)	.375" (9.5)	.1654" (4.2)	.03937" (1.0)	100
211-60020	<b>211-60020</b>	H2P	.196" (5.0)	.3937" (10.0)	.375" (9.5)	.1654" (4.2)	.03937" (1.0)	1000
211-60002	<b>211-60002</b>	H3P	.255" (6.5)	.3937" (10.0)	.3937" (10.0)	.1654" (4.2)	.03937" (1.0)	100
211-60040	<b>211-60040</b>	H3P	.255" (6.5)	.3937" (10.0)	.3937" (10.0)	.1654" (4.2)	.03937" (1.0)	1000
211-60003	<b>211-60003</b>	H4P	.314" (8.0)	.3937" (10.0)	.3937" (10.0)	.1654" (4.2)	.03937" (1.0)	100
211-60050	<b>211-60050</b>	H4P	.314" (8.0)	.3937" (10.0)	.3937" (10.0)	.1654" (4.2)	.03937" (1.0)	1000
211-60005	<b>211-60005</b>	H6P	.433" (11.0)	.3937" (10.0)	.5118" (13.0)	.1654" (4.2)	.03937" (1.0)	100
211-60061	<b>211-60061</b>	H6P	.433" (11.0)	.3937" (10.0)	.5118" (13.0)	.1654" (4.2)	.03937" (1.0)	1000
211-60006	<b>211-60006</b>	H7P	.492" (12.5)	.3937" (10.0)	.5512" (14.0)	.1654" (4.2)	.05906" (1.5)	100
211-60078	<b>211-60078</b>	H7P	.492" (12.5)	.3937" (10.0)	.5512" (14.0)	.1654" (4.2)	.05906" (1.5)	1000
211-60007	<b>211-60007</b>	H8P	.55" (14.0)	.3937" (10.0)	.5906" (15.0)	.1654" (4.2)	.05906" (1.5)	100
211-60090	<b>211-60090</b>	H8P	.55" (14.0)	.3937" (10.0)	.5906" (15.0)	.1654" (4.2)	.05906" (1.5)	1000
211-60098	<b>211-60098</b>	H9P	.629" (16.0)	.3937" (10.0)	.63" (16.0)	.1654" (4.2)	.05906" (1.5)	1000
211-60110	<b>211-60110</b>	H10P	.688" (17.5)	.3937" (10.0)	.6693" (17.0)	.1654" (4.2)	.05906" (1.5)	1000
211-60120	<b>211-60120</b>	H11P	.748" (19.0)	.3937" (10.0)	.7087" (18.0)	.1654" (4.2)	.07874" (2.0)	1000
211-60130	<b>211-60130</b>	H12P	.807" (20.5)	.3937" (10.0)	.748" (19.0)	.1654" (4.2)	.07874" (2.0)	1000
211-60140	<b>211-60140</b>	H13P	.866" (22.0)	.4724" (12.0)	.8071" (20.5)	.2047" (5.2)	.07874" (2.0)	1000
211-60150	<b>211-60150</b>	H14P	.944" (24.0)	.4724" (12.0)	.8465" (21.5)	.2047" (5.2)	.07874" (2.0)	1000
211-60160	<b>211-60160</b>	H15P	1.003" (25.5)	.4724" (12.0)	.9055" (23.0)	.2047" (5.2)	.09843" (2.5)	1000

Dimensions are approximate and subject to technical changes. Use **Part No.** for ordering and **Type** for specification purposes.

### Screw Mount Cable Clips

Available in three sizes, HellermannTyton screw mount clips offer quick, snap-in action. These clips allow for easy release for wiring changes or replacements, saving both time and money.



Material Data	
Material	<b>Polyacetal (POM)</b>
Color	<b>Black</b>
Operating Temperature	<b>-40 °F to +194 °F (-40 °C to +90 °C)</b>
Flammability	<b>UL94 HB</b>



#### Product Selection

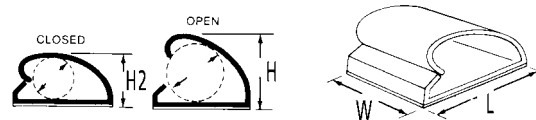
Article No.	Part No.	Type	Length (L)		Length (L2)	Width (W)	Max. Ø Bundle	Mounting Hole Ø	Wall Thickness	Pkg. Qty.
			in. (mm)	in. (mm)						
211-70200	<b>D10H4</b>	8D10	.67" (17.0)	.31" (8.0)	.60" (15.0)	.40" (10.0)	.31" (8.0)	.08" (2.0)	500	
211-70203	<b>D15L4</b>	8D15	1" (25.0)	.40" (10.0)	.60" (15.0)	.60" (15.0)	.31" (8.0)	.08" (2.0)	200	
211-70204	<b>D20L4</b>	8D20	1.10" (28.0)	.40" (10.0)	.60" (15.0)	.78" (20.0)	.31" (8.0)	.10" (2.5)	200	

Dimensions are approximate and subject to technical changes. Use **Part No.** for ordering and **Type** for specification purposes.

### WAC Adhesive

WAC Adhesive clamps offer a fast, convenient, low cost method of routing wires and cables. The easy to install adhesive system eliminates the time and expense of drilling holes. Ideal for economical wire and cable retention applications. Extruded from PVC. For 0.5" to 1" bundles.

Material Data	
Material	<b>PVC (Polyvinylchloride)</b>
Color	<b>Gray</b>
Operating Temperature	<b>-20 °F to +150 °F (-28 °C to +65 °C)</b>
Flammability	<b>UL94 V0 (excluding adhesive)</b>



#### Product Selection

Article No.	Part No.	Type	Min. Ø Bundle	Max. Ø Bundle	Length (L)	Width (W)	Height (H)	Height (H2)	Pkg. Qty.
			in. (mm)	in. (mm)					
151-00667	<b>151-00667</b>	WACO75	0.5" (12.7)	0.75" (19.1)	1.13" (28.7)	1" (25.4)	0.62" (15.75)	1.05" (26.7)	500
151-00668	<b>151-00668</b>	WAC100	0.75" (19.1)	1.0" (25.4)	1.5" (38.1)	1.25" (31.75)	0.85" (21.59)	1.39" (34.3)	500

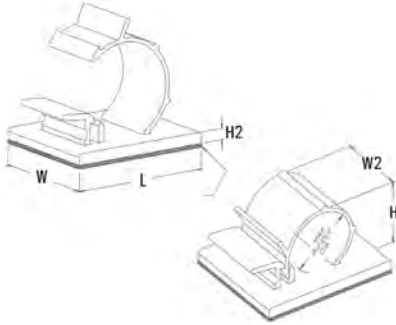
Dimensions are approximate and subject to technical changes. Use **Part No.** for ordering and **Type** for specification purposes.



# Clamps

## Series 12 Cable Clips

HellermannTyton's Series 12 cable clamps feature an exclusive quick lock/release for simplified wire installations. The easy to install adhesive system allows for faster assembly. Series 12 clamps can be used for various electrical, electronic and electromechanical applications. For bundles up to 3/4".



Material Data	
Material	<b>Polyamide 6.6 (PA66)</b>
Color	<b>Gray</b>
Operating Temperature	<b>-40 °F to +150 °F (-40 °C to +65 °C)</b>
Flammability	<b>UL94 V2 (excluding adhesive)</b>



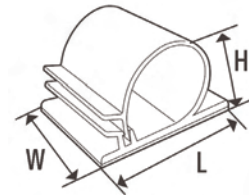
Product Selection									
Article No.	Part No.	Type	Max. Ø Bundle	Length (L)	Width (W)	Width (W2)	Height (H)	Height (H2)	Pkg. Qty.
				in. (mm)	in. (mm)	in. (mm)	in. (mm)	in. (mm)	
151-00274	<b>12-0188C2</b>	12-0188	.188"	.62"	.74"	.39"	.335"	.08"	100
151-00275	<b>12-0188M4</b>	12-0188	(4.78)	(15.75)	(18.8)	(9.91)	(8.51)	(18.67)	1000
151-00268	<b>12-0250C2</b>	12-0250	.25"	.87"	1"	.63"	.42"	.100"	100
151-00269	<b>12-0250M4</b>	12-0250	(6.35)	(22.1)	(25.4)	(16)	(10.67)	(2.54)	1000
151-00270	<b>12-0375C2</b>	12-0375	.375"	1"	1"	.63"	.5"	.11"	100
151-00271	<b>12-0375M4</b>	12-0375	(9.53)	(25.4)	(25.4)	(16)	(12.7)	(2.8)	1000
151-00272	<b>12-500C2</b>	12-0500	.5"	1.21"	1"	.64"	.68"	.11"	100
151-00273	<b>12-500M4</b>	12-0500	(12.70)	(30.7)	(25.4)	(16.26)	(17.27)	(2.79)	1000
151-00276	<b>12-0750C2</b>	12-0750	.75"	1.45"	1.15"	.64"	.99"	.125"	100
151-00277	<b>12-0750M4</b>	12-0750	(19.10)	(36.83)	(29.21)	(16.26)	(25.15)	(3.18)	500

Dimensions are approximate and subject to technical changes. Use **Part No.** for ordering and **Type** for specification purposes.

## Series 22 Clamps

Series 22 round clamps are an attractive, low cost alternative recommended where the exceptionally high performance series 12 clamps are not needed. Series 22 wire clamps are constructed of precision extruded PVC and easy to install adhesive system. They provide the same basic advantages as the series 12 clamps. For bundles up to 3/4".

Material Data	
Material	<b>PVC (Polyvinylchloride)</b>
Color	<b>Black</b>
Operating Temperature	<b>-20 °F to +150 °F (-28 °C to +65 °C)</b>
Flammability	<b>UL94 V0 (excluding adhesive)</b>

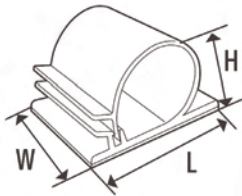


Product Selection							
Article No.	Part No.	Type	Max. Ø Bundle	Length (L)	Width (W)	Height (H)	Pkg. Qty.
			in. (mm)	in. (mm)	in. (mm)	in. (mm)	
151-00250	<b>22-0188M4</b>	22-0188	.188" (4.76)	.750" (19.05)	1" (25.4)	.337" (8.56)	1000
151-00251	<b>22-0250M4</b>	22-0250	.250" (6.35)	1.02" (25.91)	1" (25.4)	.420" (10.67)	1000
151-00252	<b>22-0375M4</b>	22-0375	.375" (9.53)	1" (25.4)	1" (25.4)	.551" (14)	1000
151-00253	<b>22-0500M4</b>	22-0500	.500" (12.7)	1.25" (31.75)	1" (25.4)	.701" (17.81)	1000
151-00254	<b>22-0625H4</b>	22-0625	.625" (15.87)	1.25" (31.75)	1.25" (31.75)	.801" (20.35)	500
151-00255	<b>22-0750C2</b>	22-0750	.750" (19.05)	1.5" (38.1)	1.5" (38.1)	.966" (24.54)	100

Dimensions are approximate and subject to technical changes. Use **Part No.** for ordering and **Type** for specification purposes.

### Series 32 Clamps

The series 32 clamps have a narrower width than the series 22 clamps, making them compact and ideal for installations in cramped quarters. Series 32 wire clamps are constructed of precision extruded PVC and easy to install adhesive system. They provide the same basic advantages as the series 12 clamps. For bundles up to 3/4".



Material Data	
Material	<b>PVC (Polyvinylchloride)</b>
Color	<b>Black</b>
Operating Temperature	<b>-20 °F to +150 °F (-28 °C to +65 °C)</b>
Flammability	<b>UL94 V0 (excluding adhesive)</b>



#### Product Selection

Article No.	Part No.	Type	Max. Ø Bundle	Length (L)	Width (W)	Height (H)	Pkg. Qty.
			in. (mm)	in. (mm)	in. (mm)	in. (mm)	
151-00256	<b>32-0188M4</b>	32-0188	.188" (4.76)	.750" (19.05)	.500" (12.7)	.337" (8.56)	1000
151-00257	<b>32-0250M4</b>	32-0250	.250" (6.35)	1.02" (25.91)	.500" (12.7)	.420" (10.67)	1000
151-00258	<b>32-0375M4</b>	32-0375	.375" (9.53)	1" (25.4)	.500" (12.7)	.551" (14)	1000
151-00259	<b>32-0500M4</b>	32-0500	.500" (12.7)	1.25" (31.75)	.500" (12.7)	.701" (17.81)	1000
151-00260	<b>32-0625H4</b>	32-0625	.625" (15.87)	1.25" (31.75)	.625" (15.87)	.801" (20.35)	500
151-00261	<b>32-0750C2</b>	32-0750	.750" (19.05)	1.5" (38.1)	.750" (19.05)	.966" (24.54)	100

Dimensions are approximate and subject to technical changes. Use **Part No.** for ordering and **Type** for specification purposes.

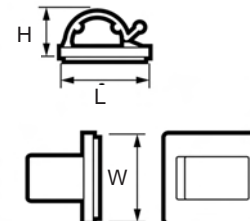
### RB Clips

RB self-adhesive clips are ideal for cable and pipe bundles. Bundles are easily snapped into or out of clips. The RB clips suit diameters of 1/8", 5/16", and 1/2".



Adhesive clips come in pairs connected together on adhesive liner.

Material Data	
Material	<b>Polyamide 6.6 (PA66)</b>
Color	<b>Natural</b>
Operating Temperature	<b>-40 °F to +185 °F (-40 °C to +85 °C)</b>
Flammability	<b>UL94 V2 (excluding adhesive)</b>



#### Product Selection

Article No.	Part No.	Type	Max. Ø Bundle	Length (L)	Width (W)	Height (H)	Pkg. Qty.
			in. (mm)	in. (mm)	in. (mm)	in. (mm)	
151-14005	<b>RB5H4</b>	RB5	.1969" (5.0)	.75" (19.0)	.75" (19.0)	.24" (6.0)	500
151-13608	<b>RB8L4</b>	RB8	.315" (8.0)	1" (25.0)	1" (25.0)	.45" (11.5)	200
151-00506	<b>RB14L4</b>	RB14	.5512" (14.0)	1.307" (33.2)	1.079" (27.4)	.63" (16.0)	200

Dimensions are approximate and subject to technical changes. Use **Part No.** for ordering and **Type** for specification purposes.

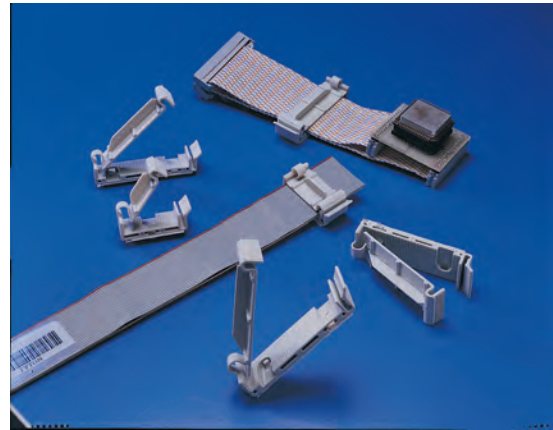
# Clamps

## Dual Adjustable Flat Ribbon Cable Clamps

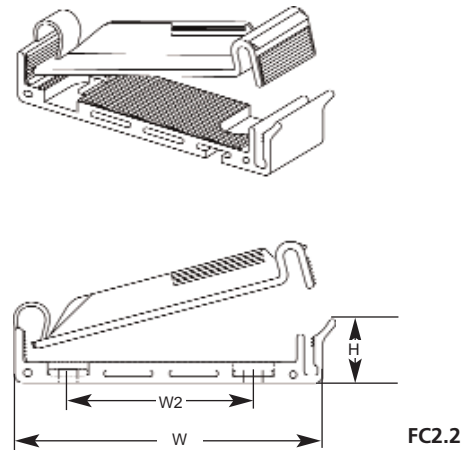
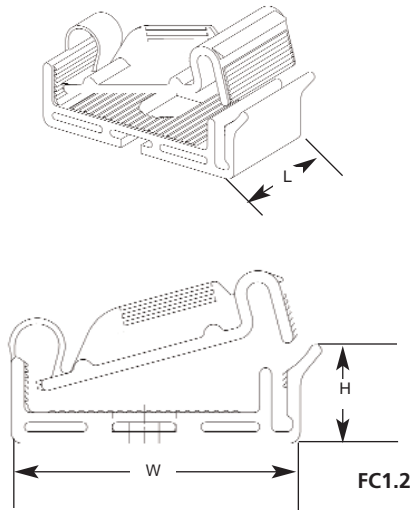
Designed to route, protect and secure flat ribbon cables in computers, electronics, panels and components, this unique adjustable clamp will not damage sensitive wire and cable. The clamp will adjust and close to the exact height of the ribbon cable, using only as much force as needed to secure the cable. The clamp is releasable on demand and adjustable on both sides. The low profile design allows for use in confined areas where space is a premium.

The clamp is adjustable so that single or stacked cable can be routed. The "snap clamp" design of this flat ribbon clamp makes it an excellent choice for specification and installation.

Both adhesive backed and non-adhesive screw mount versions are available.



Material Data	
Material	<b>Polyamide 6.6 (PA66)</b>
Color	<b>Telecom Gray</b>
Operating Temperature	<b>-40 °F to +185 °F (-40 °C to +85 °C)</b>
Flammability	<b>UL94 V2 (excluding adhesive)</b>



### Product Selection

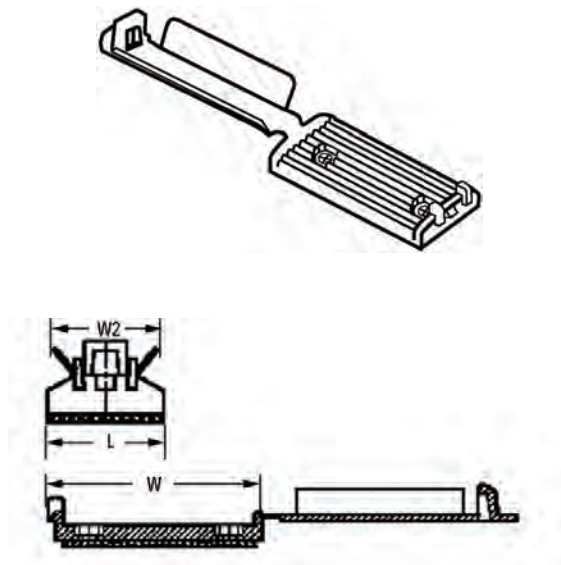
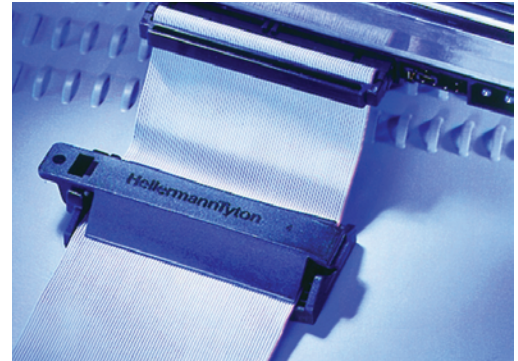
Article No.	Part No.	Type	Length (L)		Width (W)		Width (W2)		Height (H)	Mounting Hole Ø		Max Cable Width	Pkg. Qty.
			in. (mm)	in. (mm)	in. (mm)	in. (mm)	in. (mm)	in. (mm)					
<b>Adhesive</b>													
154-00013	<b>FC1.2AK2</b>	FC1.2A	.75" (19)	1.5" (38.1)	n/a	n/a	.51" (13.1)	n/a	n/a	1.2" (30.48)	50		
154-00012	<b>FC1.2AH4</b>	FC1.2A	.75" (19)	1.5" (38.1)	n/a	n/a	.51" (12.9)	n/a	n/a	1.2" (30.48)	500		
154-00017	<b>FC2.2AK2</b>	FC2.2A	.75" (19)	2.5" (63.5)	n/a	n/a	.51" (12.75)	n/a	n/a	2.0" (50.8)	50		
154-00016	<b>FC2.2AH4</b>	FC2.2A	.75" (19)	2.5" (63.5)	n/a	n/a	.51" (12.75)	n/a	n/a	2.0" (50.8)	500		
<b>Non-Adhesive</b>													
154-00011	<b>FC1.2K2</b>	FC1.2	.75" (19)	1.5" (38.1)	n/a	n/a	.51" (12.9)	.138" (6.0)	1.2" (30.48)	50			
154-00010	<b>FC1.2H4</b>	FC1.2	.75" (19)	1.5" (38.1)	n/a	n/a	.51" (12.9)	.138" (6.0)	1.2" (30.48)	500			
154-00015	<b>FC2.2K2</b>	FC2.2	.75" (19)	2.5" (63.5)	1.5" (38.1)	.51" (12.95)	.138" (6.0)	2.0" (50.8)	50				
154-00014	<b>FC2.2H4</b>	FC2.2	.75" (19)	2.5" (63.5)	1.5" (38.1)	.51" (12.95)	.138" (6.0)	2.0" (50.8)	500				

Dimensions are approximate and subject to technical changes. Use **Part No.** for ordering and **Type** for specification purposes.

## Flat Ribbon Cable Clamps

HellermannTyton's flat ribbon cable clamps secure and route flat cable, ideal for automotive and household appliance applications. Available in adhesive backed and non-adhesive screw mount versions.

- Performs well in very dry, air-conditioned areas
- The rounded edges and soft wings protect and hold the cable securely
- Clamps are offered in four sizes that are easy to fasten and unfasten



Material Data	
Material	<b>Polyamide 6.6 high impact modified (PA66HIR)</b>
Color	<b>Black</b>
Operating Temperature	<b>-40 °F to +230 °F (-40 °C to +110 °C)</b>
Flammability	<b>UL94 HB (only clamp without adhesive)</b>



Product Selection								
Article No.	Part No.	Type	Length (L)	Width (W)	Width (W2)	Mounting Hole Ø		Pkg. Qty.
			in. (mm)	in. (mm)	in. (mm)	in. (mm)	in. (mm)	
<b>Adhesive</b>								
151-15250	<b>151-15250</b>	FKH25A	1.22" (31.0)	.98" (25.0)	.86" (22.0)	n/a	n/a	100
151-15300	<b>151-15300</b>	FKH30A	1.37" (35.0)	.98" (25.0)	.86" (22.0)	n/a	n/a	100
151-15500	<b>151-15500</b>	FKH50A	2.22" (56.6)	.98" (25.0)	.86" (22.0)	n/a	n/a	100
151-15800	<b>151-15800</b>	FKH80A	3.38" (86.0)	.98" (25.0)	.86" (22.0)	n/a	n/a	100
<b>Non-Adhesive</b>								
151-16250	<b>151-16250</b>	FKH25	1.22" (31.0)	.98" (25.0)	.86" (22.0)	.122" (3.1)		100
151-16300	<b>151-16300</b>	FKH30	1.37" (35.0)	.98" (25.0)	.86" (22.0)	.122" (3.1)		100
151-16500	<b>151-16500</b>	FKH50	2.22" (56.6)	.98" (25.0)	.86" (22.0)	.122" (3.1)		100
151-16800	<b>151-16800</b>	FKH80	3.38" (86.0)	.98" (25.0)	.86" (22.0)	.122" (3.1)		100

Dimensions are approximate and subject to technical changes. Use **Part No.** for ordering and **Type** for specification purposes.