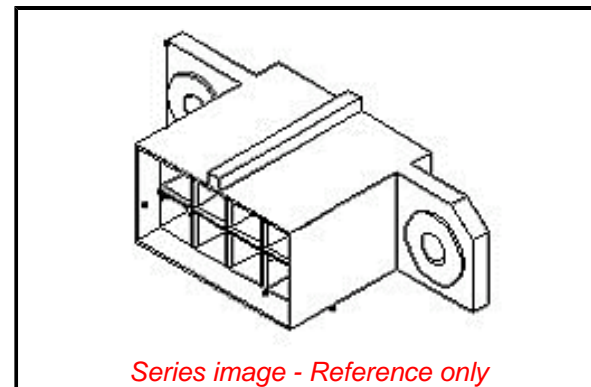


PLEASE CHECK WWW.MOLEX.COM FOR LATEST PART INFORMATION

Part Number: **0520250811**
Status: **Active**
Description: Mini-Fit Wire-to-Wire Plug Housing, 5.00mm Pitch, Floating-Fit Drawer Type, 8 Circuits

Documents:

| | |
|--|---|
| 3D Model | Product Specification PS-51010-005 (PDF) |
| Drawing (PDF) | Product Specification PS-51010-006 (PDF) |
| Product Specification PS-51010-001 (PDF) | Product Specification PS-51010-007-001 (PDF) |
| Product Specification PS-51010-002 (PDF) | Packaging Specification SPK-52025-001-001 (PDF) |
| Product Specification PS-51010-003 (PDF) | RoHS Certificate of Compliance (PDF) |
| Product Specification PS-51010-004 (PDF) | |



Agency Certification

| | |
|-----|---------|
| CSA | LR19980 |
| UL | E29179 |

General

| | |
|----------------|---------------------|
| Product Family | Crimp Housings |
| Series | <u>52025</u> |
| Application | Power, Wire-to-Wire |
| Product Name | Mini-Fit |
| UPC | 800753337671 |

Physical

| | |
|-------------------------------|-----------------|
| Circuits (maximum) | 8 |
| Flammability | 94V-0 |
| Gender | Plug |
| Glow-Wire Capable | No |
| Lock to Mating Part | Yes |
| Net Weight | 6270.000/mg |
| Number of Rows | 2 |
| Packaging Type | Bag |
| Panel Mount | Yes |
| Pitch - Mating Interface | 5.00mm |
| Stackable | No |
| Temperature Range - Operating | -40°C to +105°C |

Material Info

Reference - Drawing Numbers

| | |
|-------------------------|--|
| Packaging Specification | SPK-52025-001-001 |
| Product Specification | PS-51010-001, PS-51010-002, PS-51010-003, PS-51010-004, PS-51010-005, PS-51010-006, PS-51010-007-001 |
| Sales Drawing | SD-52025-001 |

EU ELV

Not Relevant

EU RoHS

Compliant with Exemption 6(c)

REACH SVHC

Not Contained Per
-ED/01/2018 (15
January 2018)

Halogen-Free

Status

Not Low-Halogen

Need more information on product environmental compliance?

Email productcompliance@molex.com
Please visit the [Contact Us](#) section for any non-product compliance questions.

| | |
|-----------------|---------------|
| China ROHS | 50 Image |
| ELV | Not Relevant |
| RoHS Phthalates | Not Contained |

Search Parts in this Series

52025 Series

Mates With

51010 Receptacle Housing

Use With

5558