



<b>DATA SHEET</b>	52003490
<b>SKINDICHT® SM</b>	valid from : 15.1.2016

The SKINDICHT® SM is a nickel-plated brass locknut with PG-thread. It is required wherever a gland must be secured or thin housing walls allow only through-holes.



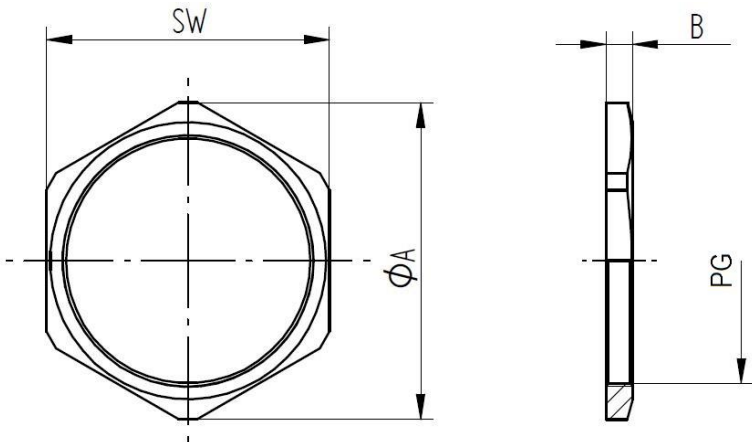
**Technical features:**

Size PG7 up to PG48, thread acc. to DIN 40430  
 Material Brass, nickel-plated

**Norm references:**



For more information please see our current catalogue.



PG	SW [mm]	Ø A [mm]	B [mm]	Article No.
PG 7	15	16,6	2,8	52003490
PG 9	18	20	2,8	52003500
PG 11	21	23,5	3	52003510
PG 13,5	23	25,5	3	52003520
PG 16	26	29	3	52003530
PG 21	32	35,5	3,5	52003540
PG 29	41	45	3,5	52003550
PG 36	51	56	5	52003560
PG 42	60	65	5	52003570
PG 48	64	69	5,5	52003580