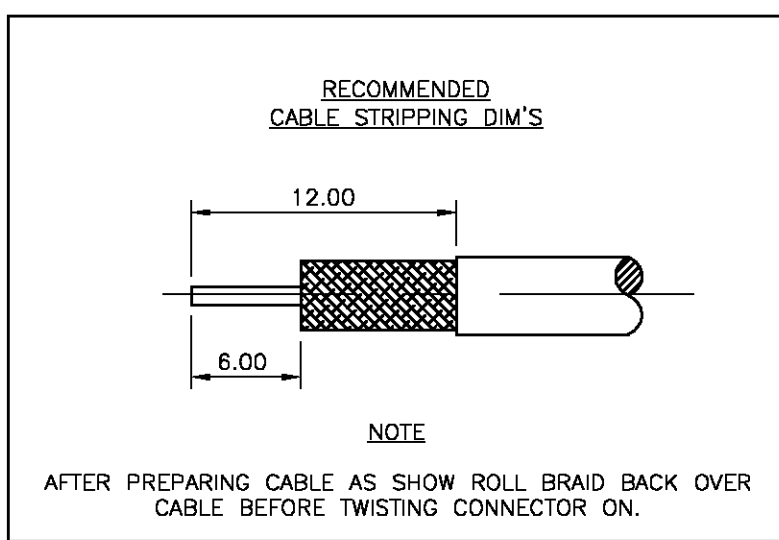
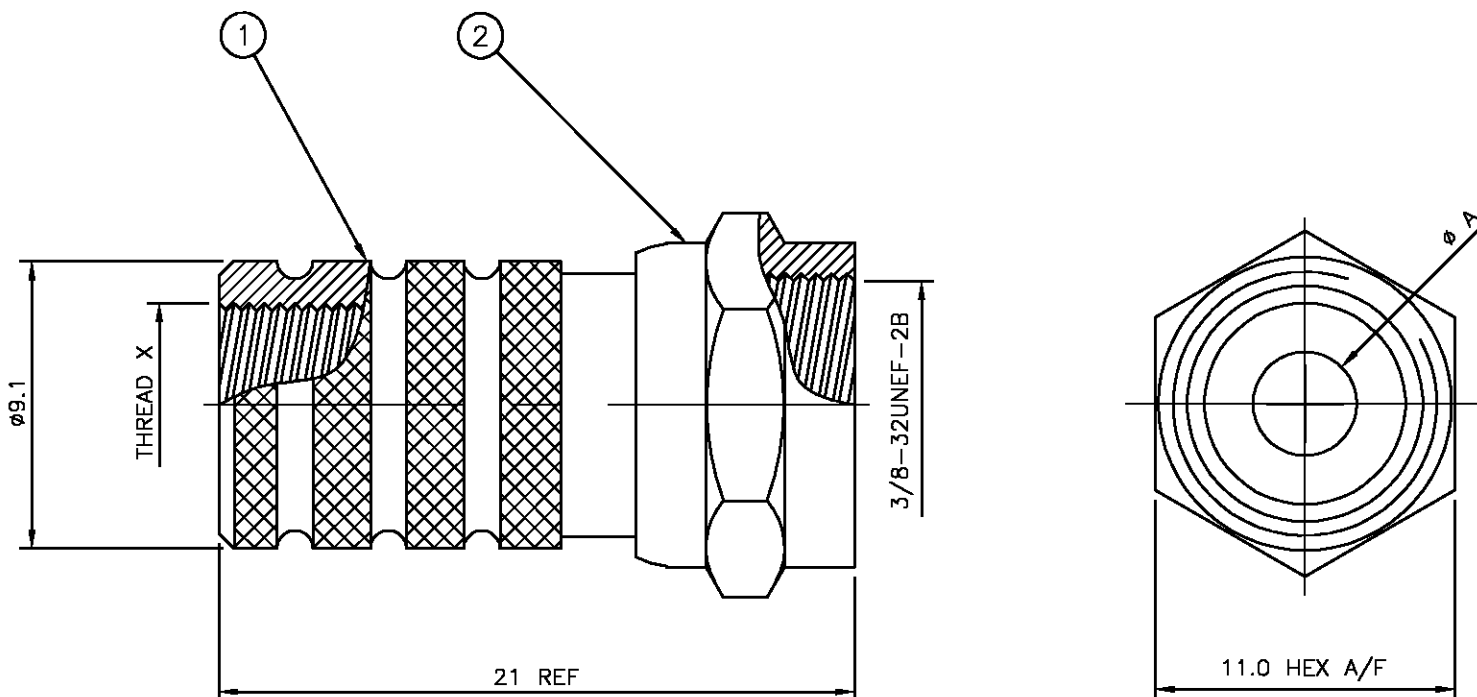


LOC	DIST	REVISIONS					
E	B	P	LTR	DESCRIPTION	DATE	DWN	APVD
		A		FIRST ISSUE	16NOV06	JMS	FWK

NOTES

- 1 SINGLE PACK IN ACCORDANCE WITH AMP SPEC 107-3275
- 2 100 TRAY PACK IN ACCORDANCE WITH AMP SPEC 107-3275
- 3 Ni PLATING
- 4. ELECTRICAL CHARACTERISTICS  
 FREQUENCY RANGE: DC - 2 GHz  
 NOMINAL IMPEDANCE: 75 Ohm  
 INSULATION RESISTANCE: N/A  
 WORKING VOLTAGE: N/A  
 DIELECTRIC WITHSTAND VOLTAGE: N/A  
 CONTACT RESISTANCE: N/A  
 CENTRE CONTACT: N/A  
 OUTER CONTACT: N/A  
 VSWR @ 3GHz: 1.35:1  
 INSERTION LOSS dB @ x 1.5 GHz: N/A
- 5. MECHANICAL CHARACTERISTICS  
 COUPLING NUT PROOF TORQUE: 3.4 Nm  
 CABLE RETENTION FORCE: N/A  
 DURABILITY: 50 Cycles Min
- 6. ENVIRONMENTAL CHARACTERISTICS  
 OPERATING TEMPERATURE: -55 to +85 DegC
- 7. FOR TECHNICAL DATA REFER TO YOUR LOCAL TYCO ELECTRONICS SALES OFFICE
- 8. ALL DIMENSIONS ARE NOMINAL FOR REFERENCE ONLY UNLESS OTHERWISE STATED

M8	5.60	CT125	5-1814822-7
M8	5.60	CT125	5-1814822-6
M7	4.90	CT100	5-1814822-5
M7	4.90	CT100	5-1814822-4
M9	4.90	RG6/U	5-1814822-3
M9	4.90	RG6/U	5-1814822-2
1/4-20UNC-2B	3.90	RG59B/U, 62A/U, 140/U, 210/U, URM90, Belden 9291, 9291, KX6A, KX25, KX52, KX53	5-1814822-1
1/4-20UNC-2B	3.90	RG59B/U, 62A/U, 140/U, 210/U, URM90, Belden 9291, 9291, KX6A, KX25, KX52, KX53	5-1814822-0
THREAD X	A	CABLE GROUPS	PART NO.
DIMENSIONS			



1	1	1	1	1	1	1	1	1	ZINC ALLOY	△	COUPLING NUT	2
1	1	1	1	1	1	1	1	1	BRASS	△	BODY	1
5	75	65	55	45	35	25	15	0	MATERIAL		DESCRIPTION	ITEM
△	△	△	△	△	△	△	△	△				
QUANTITY PER ASSY										PARTS LIST		

THIS DRAWING IS A CONTROLLED DOCUMENT.

DWN	J.SANDWELL	16NOV06	<b>tyco</b> <b>Electronics</b>	Tyco Electronics Corporation			
CHK	S.PARLOW	16NOV06		Bideford, UK, EX39 4HE			
APVD	F.WHEELER-KING	16NOV06		NAME			
PRODUCT SPEC	F TYPE STR PLG T/O						
APPLICATION SPEC	-			SIZE	CAGE CODE	DRAWING NO	RESTRICTED TO
WEIGHT	-			A3	00779	C-1814822	-
MATERIAL	SEE TABLE			CUSTOMER DRAWING		SCALE	SHEET
				NTS		1	OF 1
						REV	A