



Description

The Redington Model 51 line of 5 figure LCD meters provides a large display in the industry size package. A choice of mountings, Round, 2 Hole Dual, Mini Rectangular or Surface Mount. A custom microprocessor, capable of being programmed to create an almost infinite matrix of models is ideally suited for OEM applications. Available in 3 inputs, DC, AC or Inductive. Maintenance Meters are offered with a "Redi-Alert" to alert users when service is due. Not only does the display flash to get attention, but it displays specific maintenance service needs to be done. Units have Polarized LCD for high visibility in sunlight. Servicing equipment on time is critical to efficient operation and long equipment life. That is why you should consider Redington's "Redi-Alert" meters. Redi-Alert offers two independent alarms (both fully programmable) to alert users when service is due. Alarms are fully automatic; coming on and shutting off at times determined by the OEM.

Features

- Totally sealed from moisture and dirt
Fits in existing panel openings
"Redi-Alert" for preventive maintenance
Icons for specific maintenance needs
Tachometer/Hour Meter versions
Automatic rollover
Hour glass symbol appears & flashes on/off to indicate running time
Various voltage inputs
Short depth
Always on display

Options

- Various voltage inputs
Alarm outputs: audible or visual (external voltage required)
Custom logos & bezels
Terminations: stud, wire, screw, or blade
Alternator and filtered versions
Key Kancel (alarm reset via external key or wand)

Specifications

Display: Large 0.20" [5mm] LCD, black on light background
Records & Displays: 5 digits (9999.9)
Resolution: 0.1 hours
Quartz Accuracy: 0.02% over entire voltage & temp. range
Inputs: 8-32 VDC, 32-277 VAC-50/60HZ
Operating Temperature: -40°F to +160°F [-40°C to +71°C]
Battery Life: 15 years
Current Consumption: 1 mA (for multi-range voltages 1 mA applies to lower voltage)
Approvals: AC-UL/cUL Recognized, CE Compliant

Protection Against: Transient voltage, inductive switching, reverse polarity, frequency variations
Alternator Load Dump: 150 V
Shock: SAE J1378 55g
Vibration: SAE J1378 20g
Humidity: SAE J1378 95% RH
Termination: Panel mount standard terminals, 0.250 male blade (s), surface mount- wire lead
Case Material: ABS, black, 100% epoxy filled
Weight: 1 oz. [28g]

Models Description

Table with 3 columns: Model, Mounting, and Specifications. Includes DC Models (5120-1000, 5120-1100, 5120-1200) and AC Models (5120-2000, 5120-2100, 5120-2200).

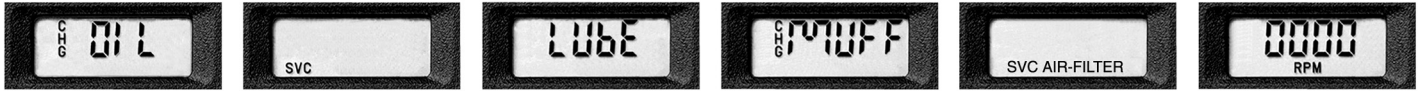
Models Description

Table with 3 columns: Model, Mounting, and Specifications. Includes Inductive Models (5120-0000 to 5140-0311).

\* Items in bold are normally in factory stock.



Alarm Specifications



Alarms programmable for your applications

ALARM # 1

Programmable for a "first time" (break in service) or a normal recurring service interval.

ALARM # 2

Same as alarm # 1, but without the "first time" interval.

ALARM/ FLASH DURATION

OEM's specify the service interval and flash duration for each alarm. Flash duration is the amount of time in hours that the specified icon flashes before and after the service interval.

ALARM RESET

The standard alarm alert is fully automatic with no operator interface necessary. The alarm simply flashes the specified icon for the duration called out by the OEM. Controlled reset options are available for a higher level of security. Contact factory for additional information.

MAINTENANCE METER ALARM SPECIFICATIONS

ALARM #1

1st time service interval range (2 to 99 hrs. occurs only once)

Normal service interval range: 2 to 999 hrs. (Recurring)

Flash duration: 1 to 99 hrs. (Time flashing before & after service interval)

Available icons: CHG OIL, LUBE, CHG MUFF, SVC-AIR FILTER, SVC-Lower left/right side of display

ALARM # 2

Normal service interval range: 2 to 999 hrs. (Recurring)

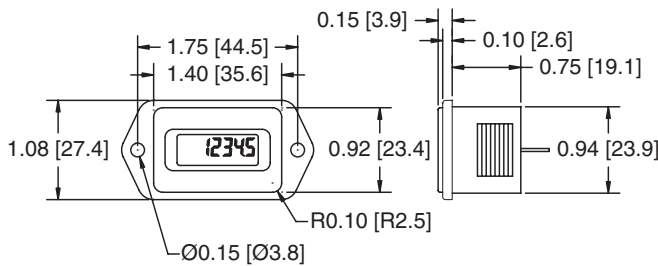
Flash duration: 1 to 99 hrs. (Time flashing before & after service interval)

Available icons: CHG OIL, LUBE, CHG MUFF, SVC-AIR FILTER, SVC-Lower left/right side of display

Alarms flash specified icon 4 seconds then flash hour 4 seconds throughout alarm duration.

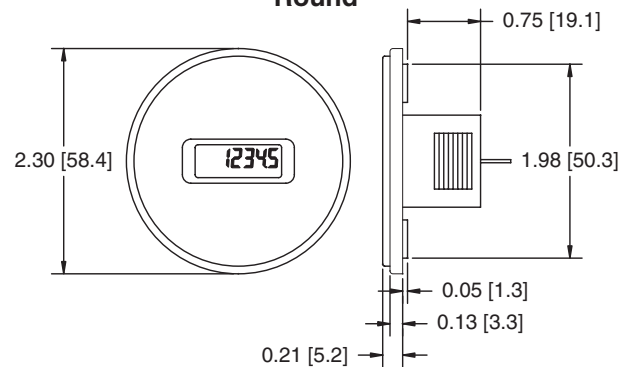
Dimensions

2 Hole Dual Mount



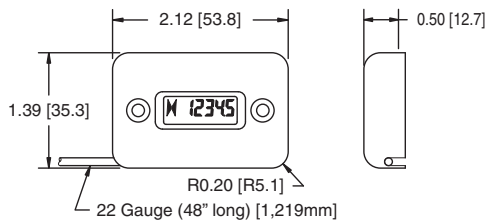
Above panel cutout 1.46 x 0.95 [37.1 x 24.1] opening
Behind panel cutout 1.41 x 0.93 [35.8 x 23.6] opening

Round



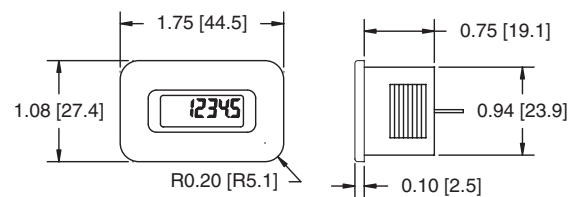
Spring clip retainer, Fast installation
Panel cutout 2.0 [50.8] diameter

Surface Mount



Mounting holes are 1 1/2" [38.1] spacing
Hole Diameter is 1/8" [3.2]

Mini Rectangular



Compact Bezel Design, Spring clip retainer, Fast installation, Panel cutout 1.46 x 0.95 [37.1 x 24.1] opening.

Applications

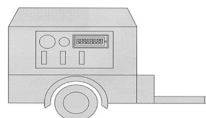
Construction Equipment



Medical Devices



Generators



Marine Applications



Garden Tractors

