

**MICRO SWITCH**

A DIVISION OF MINNEAPOLIS-HONEYWELL REGULATOR COMPANY  
 FREEPORT, ILLINOIS  
 FED. MFR. CODE 91929

**SWITCH-TOGGLE**

**511TS1 SERIES**

**CHART 1**


**CIRCUIT WITH TOGGLE IN**


**ELECTRICAL DATA**

**CAT. LIST.**

OPPOSITE KEYWAY 2-3	CENTER	KEYWAY SIDE 1-2
---------------------	--------	-----------------

511TS1-1	ON	OFF	ON
511TS1-2	ON	NONE	OFF
511TS1-3	ON	NONE	ON
511TS1-21	ON	OFF	NONE
511TS1-4	ON	NONE	MOM OFF
511TS1-5	ON	OFF	MOM ON
511TS1-6	OFF	NONE	MOM ON
511TS1-7	MOM ON	OFF	MOM ON
FAA-PMA 511TS1-8	ON	NONE	MOM ON
511TS1-61	NONE	OFF	MOM ON

15A-125, 250 OR 277 VAC   
 1/2HP-125VAC; 1HP-250, 277VAC  
 5A-125VAC "L" CODE L191

10A-125, 250, 277 VAC   
 1/4HP-125VAC; 1/2HP-250, 277VAC  
 3A-125VAC "L" CODE L192

511TS1 SERIES CHART 1

M

DRAWING NUMBER

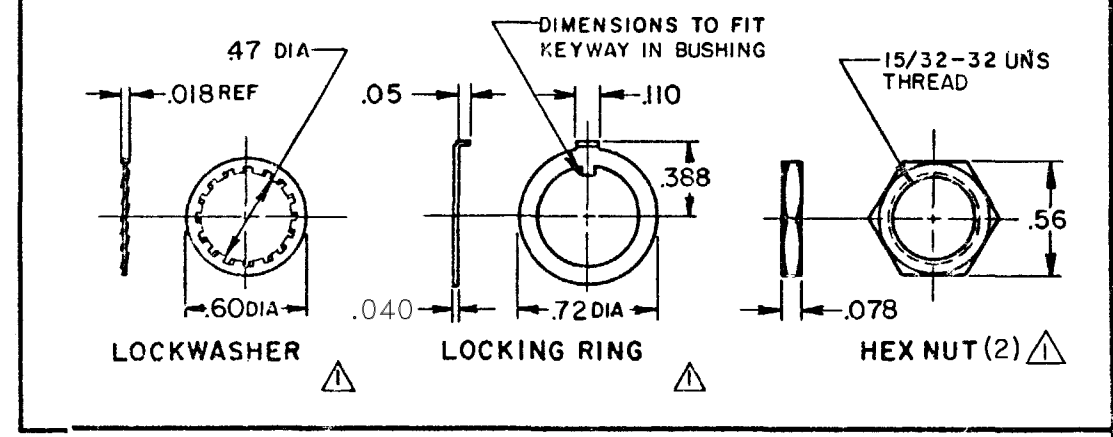
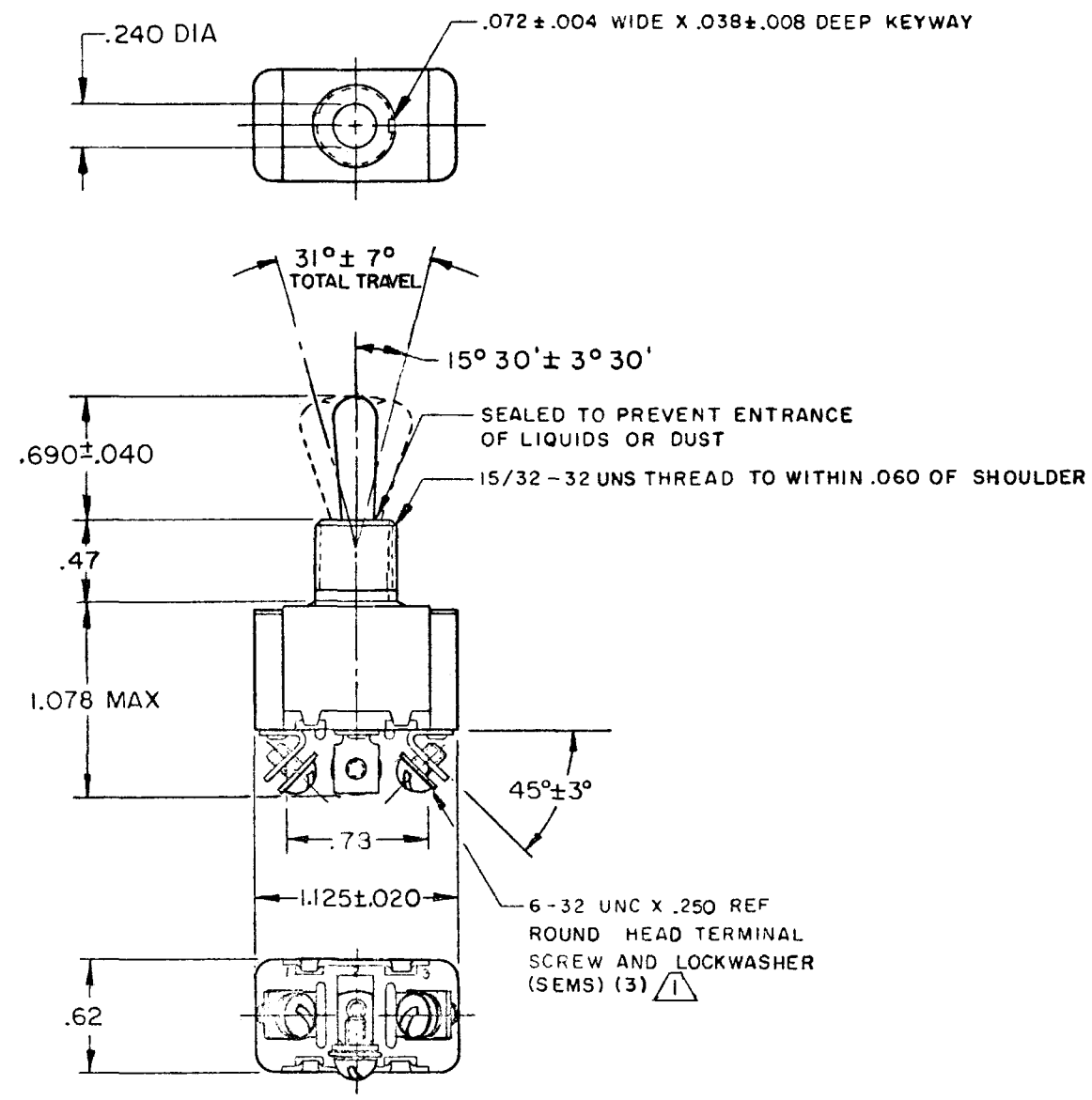
ISSUE X22

REVISIONS

A	C080402	JALA	11 APR 95
B	C084145	TSM	3 APR 97

CHECK DRAW 24 JAN 64

FORMTEK DRAWN M B F 15 JAN 64



NOTE -  FURNISHED UNASSEMBLED

THIS DRAWING COVERS A PROPRIETARY ITEM AND IS THE PROPERTY OF MICRO SWITCH, A DIVISION OF MINNEAPOLIS-HONEYWELL REGULATOR CO. THIS DRAWING IS NOT TO BE COPIED OR USED WITHOUT THE APPROVAL OF MICRO SWITCH.

CHARACTERISTICS	ELECTRICAL DATA	SCALE - FULL
		DO NOT SCALE PRINT
		UNLESS OTHERWISE SPECIFIED DIMENSIONS ARE IN INCHES
		<b>TOLERANCES ARE:</b>
		ONE PLACE (.0) ±.030
		TWO PLACE (.00) ±.015
		THREE PLACE (.000) ±.005
		ANGLES ±
		WEIGHT .08 LB