

## HERCULES ANTI-TRIP HEAVY DUTY INDUSTRIAL CONTROL



**Hercules Anti-Trip Footswitch  
Full Shield Model**



**Hercules Anti-Trip Footswitch  
O Gated Shield Model**



**Hercules Anti-Trip Footswitch  
OX Shield Model**

### Environmental Ratings:

NEMA Type 2, 4 & 13  
UL ENCLOSURE 2, 4 & 13  
CSA ENCLOSURE 2, 4 & 13  
EN 60529 Degree of Protection IP56  
Driptight - Dusttight - Watertight - Oiltight

ADVANCED DESIGN HELPS PREVENT ACCIDENTAL ACTUATION

### Key Benefits

- Heavy duty foot switch features an anti-trip treadle mechanism that helps prevent accidental actuation through unintentional stepping on foot treadle.
- Switch operation requires that the latch trip lever be released prior to depressing the foot treadle. An in-line foot pressure is applied to the latch trip lever located at the rear of the foot treadle.
- Smooth trip lever release and treadle depression motion results in good rate of operation.
- Oversize "O" Shield models accept oversized safety shoes and metatarsal foot guards.
- Special Dual 1/2"-14 N.P.T. threaded conduit entry and metric sizes available to the O.E. M. on special order.
- Special Twin models available to the O.E.M. on special order.
- Special Airval models available to the O.E.M. on special order.
- Painted Alert Orange.
- Single 3/4"-14 N.P.T. threaded conduit entry is standard.
- Dual treadle return springs and latching mechanism.
- Anti-skid rubber feet and 3 holes for rigid mounting to floor or equipment.
- All LINEMASTER foot switches can be CE marked.

Size: 9" x 5-3/4" x 4-3/4"

Weight: Approx. 8 lbs

# SPECIFICATIONS

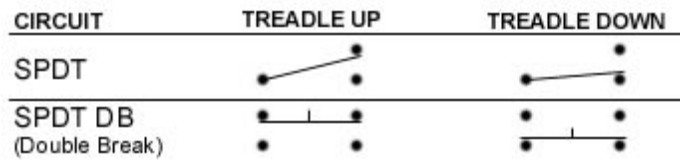
(Special variations are available to the O.E.M. on special order on the models listed below)



|  | FULL SHIELD    | "O" SHIELD    | "OX" SHIELD    | WITH GATE       | "OX" WITH GATE | STAGE  | CIRCUIT   | FORM | ELECTRICAL RATINGS            |
|--|----------------|---------------|----------------|-----------------|----------------|--------|-----------|------|-------------------------------|
|  | <b>511-B</b>   | <b>511-BO</b> | <b>511-BOX</b> | 511-BG          | 511-BOXG       | Single | SPDT      | C    | 20 A 125-250 VAC              |
|  | <b>511-B2*</b> | 511-B2O*      | 511-B2OX*      | 511-B2G*        | 511-B2OXG*     | Single | DPDT      | C    | 1 H.P. 125-250 VAC            |
|  | 511-B2A        | 511-B2OA      | 511-B2OXA      | <b>511-B2GA</b> | 511-B2OXGA     | Two    | SPDT      | C    | Heavy Pilot Duty 250 VAC Max. |
|  | 511-B3         | 511-B3O       | 511-B3OX       | 511-B3G         | 511-B3OXG      | Single | SPDT DB±  | Z    | 15 A 125-250 VAC              |
|  | 511-B4*        | 511-B4O*      | 511-B4OX*      | 511-B4G*        | 511-B4OXG      | Single | DPDT DB ± | Z    | 1/2 H.P. 125 VAC              |
|  | 511-B4A        | 511-B4OA      | 511-B4OXA      | 511-B4GA        | 511-B4OXGA     | Two    | SPDT DB±  | Z    | 1 H.P. 250 VAC                |
|  |                |               |                |                 |                |        |           |      | Heavy Pilot Duty 250 VAC Max. |

**BOLD COPY INDICATES STOCK ITEM**

### EXAMPLE OF CIRCUIT DESCRIPTIONS

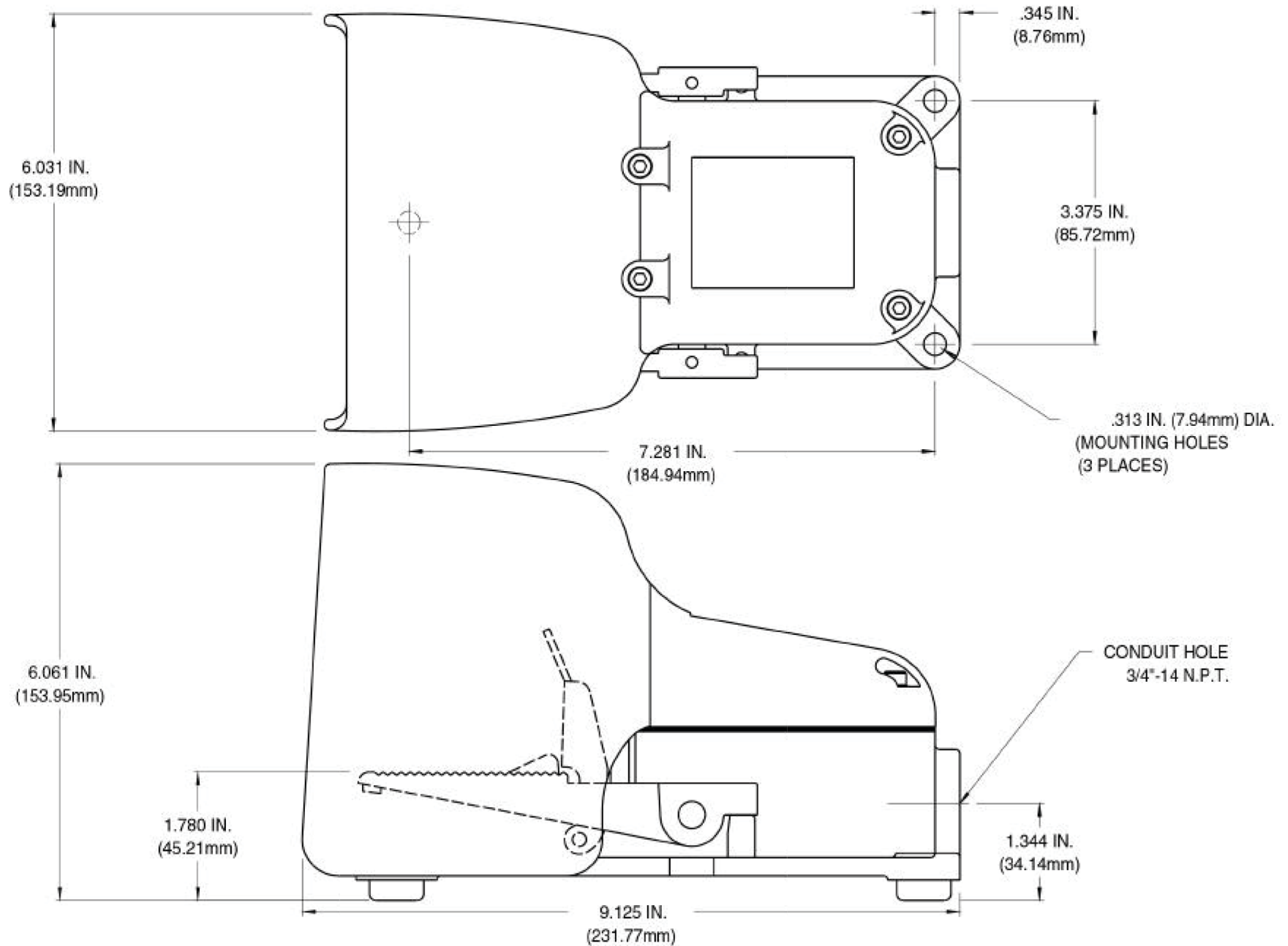


\*One pole of these models has an adjustable actuating mechanism that enables you to make or break one pole before the other. **EXAMPLE:** You can break the N.O. Circuit long before you would remake a N.C. Circuit in a 511-B2.

±DB Double Break models must be wired to equal voltage sources and the same polarity. The loads should be on the same sides of the line.

# Hercules Anti-Trip "OX" Shield Model

NOTE: ALL DIMENSIONS ARE FOR REFERENCE ONLY.



**NEMA Type 2, 4 & 13**  
**UL ENCLOSURE 2, 4 & 13**  
**CSA ENCLOSURE 2, 4 & 13**  
**EN 60529 Degree of Protection IP56**



***Driptight • Dusttight • Watertight • Oiltight***  
**ADVANCED DESIGN HELPS PREVENT ACCIDENTAL ACTUATION**

**Materials of Construction:**

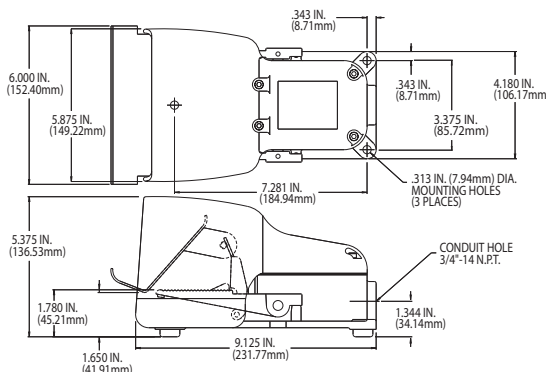
- Treadle and housing constructed from cast iron for strength and durability
- Protected by a strong cast aluminum Shield
- Special AirVal models available to the O.E.M. on special order
- Painted Alert Orange
- Single 3/4"-14 N.P.T. threaded conduit entry is standard

**Features & Benefits:**

- Heavy duty foot switch features an anti-trip treadle mechanism that helps prevent accidental actuation through unintentional stepping on foot treadle
- Switch operation requires that the latch trip lever be released prior to depressing the foot treadle as in-line foot pressure is applied to the latch trip lever located at the rear of the foot treadle
- Smooth trip lever release and treadle depression motion results in good rate of operation
- Dual treadle return springs and latching mechanism
- Anti-skid rubber feet and 3 holes for rigid mounting to floor or equipment
- All Models have a neoprene Cover Gasket plus O-Rings on the Actuating shaft and separate ground screw

**Options:**

- Oversize "O" and "OX" Shield models accept oversized safety shoes and metatarsal foot guards. The "OX" Shield has an additional 3/4" (19.1 mm) opening height as compared to the "O" shield
- Special Dual 1/2"-14 N.P.T. threaded conduit entry and metric sizes available to the O.E.M. on special order
- Special Twin models available to the O.E.M. on special order
- Twin and triple models available - Special Order



|                      |                        |
|----------------------|------------------------|
| <b>SIZE (HxWxD):</b> | 5.38 x 6.00 x 9.13 In. |
| <b>WEIGHT:</b>       | 8.00 lbs.              |

**⚠ WARNING SEE PRODUCT WARNING ON PAGE 8**  
 SPECIFICATIONS (Special variations are available to the O.E.M. on special order on the models listed below)

| AGENCY APPROVALS | EN 60529 Degree of Protection | CATALOG NUMBER       | DESCRIPTION | STAGE  | CIRCUIT              | FORM | ELECTRICAL RATINGS            |
|------------------|-------------------------------|----------------------|-------------|--------|----------------------|------|-------------------------------|
| UL, IEC, NEMA    | IP56                          | 511-BG               | Momentary   | SINGLE | SPDT                 | C    | 20 A 125-250 VAC              |
| UL, IEC, NEMA    | IP56                          | 511-B2G <sup>1</sup> | Momentary   | SINGLE | DPDT                 | C    | 1 H.P. 125-250 VAC            |
| UL, IEC, NEMA    | IP56                          | 511-B2GA             | Momentary   | TWO    | SPDT                 | C    | Heavy Pilot Duty 250 VAC Max. |
| UL, IEC, NEMA    | IP56                          | 511-B3G              | Momentary   | SINGLE | SPDT DB <sup>2</sup> | Z    | 15 A 125-250 VAC              |
| UL, IEC, NEMA    | IP56                          | 511-B4G <sup>1</sup> | Momentary   | SINGLE | DPDT DB <sup>2</sup> | Z    | 1/2 H.P. 125 VAC              |
| UL, IEC, NEMA    | IP56                          | 511-B4GA             | Momentary   | TWO    | SPDT DB <sup>2</sup> | Z    | 1 H.P. 250 VAC                |
|                  |                               |                      |             |        |                      |      | Heavy Pilot Duty 250 VAC Max. |

<sup>1</sup>One pole of these models has an adjustable actuating mechanism that enables you to make or break one pole before the other. EXAMPLE: You can break the N.O. Circuit long before you would remake a N.C. Circuit in a 511-B2.  
<sup>2</sup>DB Double Break models must be wired to equal voltage sources and the same polarity. The loads should be on the same sides of the line.