

**PLEASE CHECK WWW.MOLEX.COM FOR LATEST PART INFORMATION**

**Part Number:** [0511430305](#)  
**Status:** **Active**  
**Description:** 6.50mm Wire-to-Board Terminal Position Assurance (TPA) Retainer, 3 Circuits

**Documents:**

[3D Model](#) [Product Specification PS-51142-003 \(PDF\)](#)  
[Drawing \(PDF\)](#) [RoHS Certificate of Compliance \(PDF\)](#)  
[Product Specification PS-51142-002-001 \(PDF\)](#)

**General**

Product Family	Accessories
Series	51143
Component Type	Terminal Position Assurance
Product Name	CP-6.5, TPA - Term Pos Assurance
UPC	800753323704

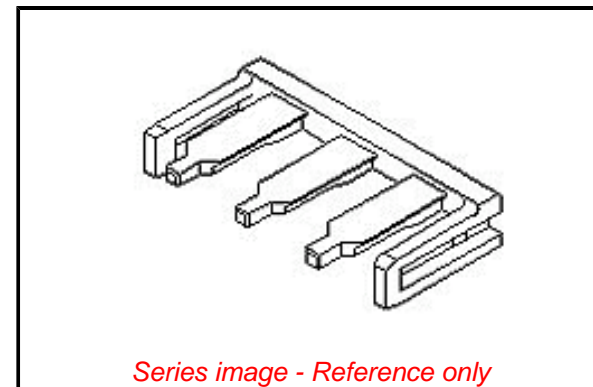
**Physical**

Circuits (Loaded)	3
Color - Resin	Gray
Lock to Mating Part	Yes
Material - Resin	PBTP
Net Weight	414.700/mg
Number of Rows	1
Packaging Type	Bag

**Material Info**

**Reference - Drawing Numbers**

Product Specification	PS-51142-002-001, PS-51142-003
Sales Drawing	SD-51143-**05



**EU ELV**

**Not Relevant**

**EU RoHS**

**Compliant**

**REACH SVHC**

Not Contained Per -  
ED/21/2016 (20 June  
2016)

**Halogen-Free**

**Status**

**Not Low-Halogen**

**Need more information on product environmental compliance?**

Email [productcompliance@molex.com](mailto:productcompliance@molex.com)  
Please visit the [Contact Us](#) section for any non-product compliance questions.

China ROHS

ELV

RoHS Phthalates

Green Image

Not Relevant

Not Contained

**Search Parts in this Series**

[51143 Series](#)

**Use With**

[51142](#)