

PLEASE CHECK WWW.MOLEX.COM FOR LATEST PART INFORMATION

Part Number: [0511430205](#)
Status: **Active**
Description: 6.50mm Wire-to-Board Terminal Position Assurance (TPA) Retainer, 2 Circuits

Documents:

3D Model	Product Specification PS-51142-003 (PDF)
Drawing (PDF)	RoHS Certificate of Compliance (PDF)
Product Specification PS-51142-002-001 (PDF)	

General

Product Family	Accessories
Series	51143
Component Type	Terminal Position Assurance
Product Name	CP-6.5, TPA - Term Pos Assurance
UPC	800753323698

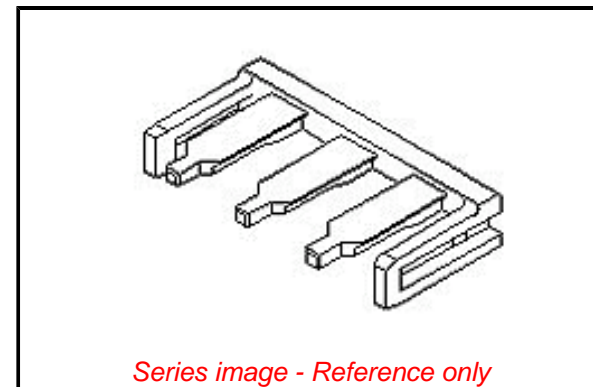
Physical

Circuits (Loaded)	2
Circuits (maximum)	2
Color - Resin	Gray
Lock to Mating Part	Yes
Material - Resin	PBTP
Net Weight	303.100/mg
Number of Rows	1
Packaging Type	Bag

Material Info

Reference - Drawing Numbers

Product Specification	PS-51142-002-001, PS-51142-003
Sales Drawing	SD-51143-**05



EU ELV

Not Relevant

EU RoHS

Compliant

REACH SVHC

Not Contained Per -
ED/30/2017 (7 July
2017)

Halogen-Free

Status

Not Low-Halogen

**Need more information on product
environmental compliance?**

Email productcompliance@molex.com
Please visit the [Contact Us](#) section for any
non-product compliance questions.

China ROHS

ELV

RoHS Phthalates

Green Image

Not Relevant

Not Contained

Search Parts in this Series

[51143 Series](#)

Use With

[51142](#) , [CP-6.5 Receptacle Housing 151049](#)