

**PLEASE CHECK WWW.MOLEX.COM FOR LATEST PART INFORMATION**

**Part Number:** [0511151601](#)  
**Status:** **Active**  
**Description:** 4.00mm Pitch, OBD-II Wire-to-Wire Receptacle Housing, Panel Mount, 16 Circuits

**Documents:**

[3D Model](#) [Application Specification AS-51115-001-001 \(PDF\)](#)  
[Drawing \(PDF\)](#) [RoHS Certificate of Compliance \(PDF\)](#)  
[Product Specification PS-51115-001 \(PDF\)](#)

**General**

Product Family Crimp Housings  
 Series [51115](#)  
 Application Power, Wire-to-Wire  
 Product Name OBD-II  
 UPC 800754367707

**Physical**

Circuits (maximum) 16  
 Color - Resin Black  
 Gender Receptacle  
 Glow-Wire Compliant No  
 Keying to Mating Part None  
 Lock to Mating Part Yes  
 Material - Resin Polyester  
 Net Weight 10330.000/mg  
 Number of Rows 2  
 Packaging Type Tray  
 Panel Mount Yes  
 Pitch - Mating Interface 4.00mm  
 Stackable No  
 Temperature Range - Operating -40°C to +85°C

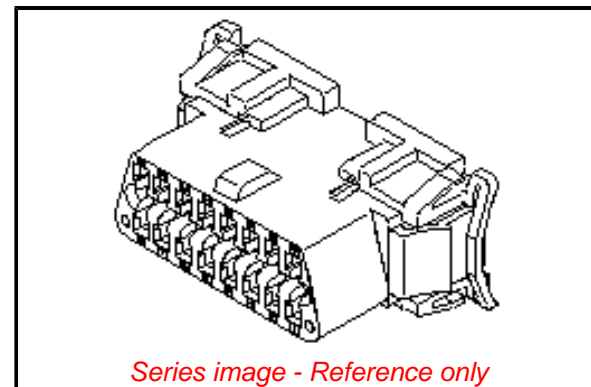
**Solder Process Data**

Lead-freeProcess Capability N/A

**Material Info**

**Reference - Drawing Numbers**

Application Specification [AS-51115-001-001](#)  
 Product Specification [PS-51115-001](#)  
 Sales Drawing [SD-51115-\\*\\*0\\*](#)



**EU ELV**

**Compliant**

**EU RoHS**

**Compliant**

**REACH SVHC**

Not Contained Per -  
 ED/30/2017 (7 July  
 2017)

**Halogen-Free**

**Status**

**Not Low-Halogen**

**Need more information on product  
 environmental compliance?**

Email [productcompliance@molex.com](mailto:productcompliance@molex.com)  
 Please visit the [Contact Us](#) section for any  
 non-product compliance questions.

China ROHS

ELV

RoHS Phthalates

Green Image

Compliant

Not Contained

**Search Parts in this Series**

[51115 Series](#)

**Mates With**

OBD-II Male Housing [68503-1602](#)

**Use With**

[50420 Terminal](#) . [51117 Retainer](#)