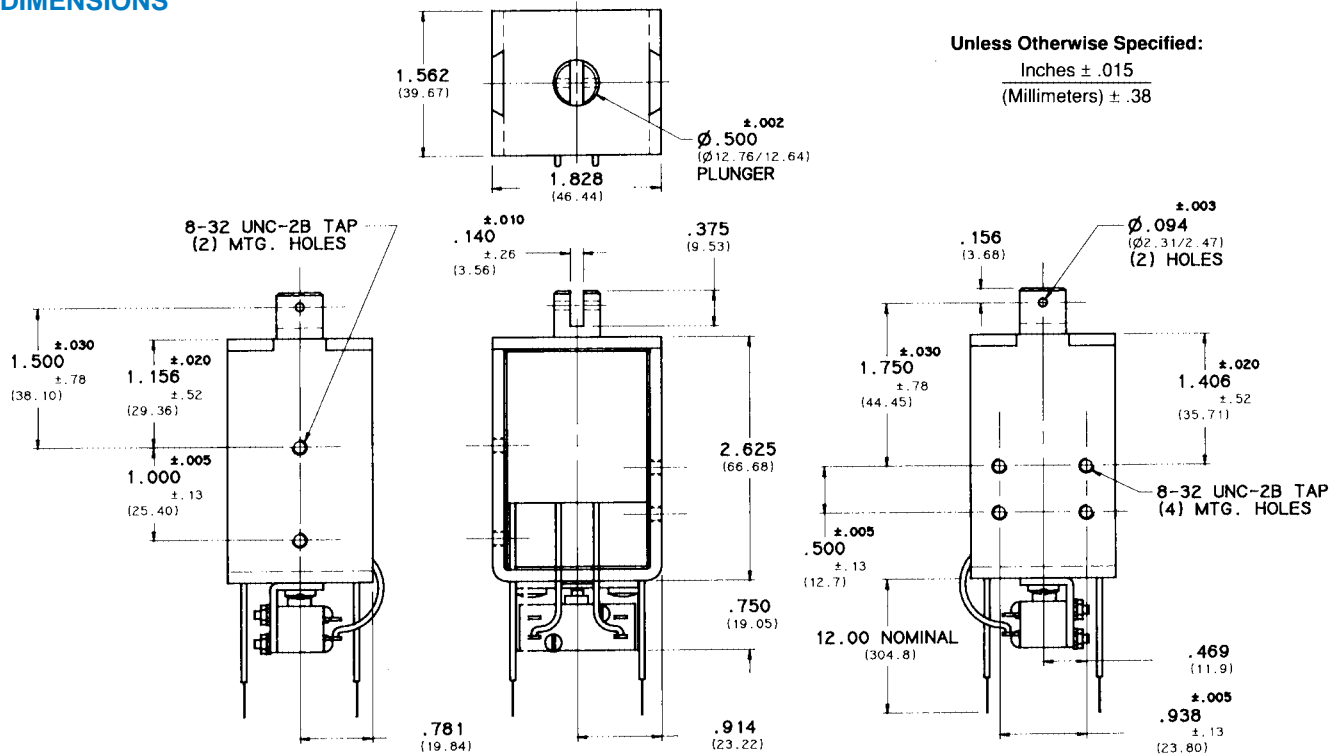


PS-75 POWER SURGE SOLENOID

DIMENSIONS



COIL TREATMENT:

Tape Wrapped.
 Class A Rating (standard)

MAXIMUM OPERATING TEMPERATURE:

Class A – 105°C (221°F)

DIELECTRIC STRENGTH:

30 Volts and Under: 500 VRMS
 Over 30 Volts: 1,000 VRMS plus 2x rated voltage for one minute

STANDARD POWER RATINGS:

DUTY	HOLD	PULL
Continuous*	12 W	150 W

*Unit not designed for rapid cycling

WEIGHT:

Plunger – 1.91 Oz.
 Total – 1 Lb. 3 Oz.

PLUNGER GUIDE MATERIAL:

Brass

LIFE EXPECTANCY:

10⁶ Cycles Under Optimum Load Conditions
 Switch life may be limiting factor

TERMINATION:

Wire Leads (standard)

PLUNGER CONE ANGLE (DC):

60 Degrees Stepped Cone (standard)
 also available flat, 90 degrees, custom

MAXIMUM DIMENSIONS:

Length 3.405 In.
 Width 1.577 In.
 Height 1.843 In.
 Plunger Diameter $\varnothing .502$ In.

MAXIMUM STROKE:

.900 In.

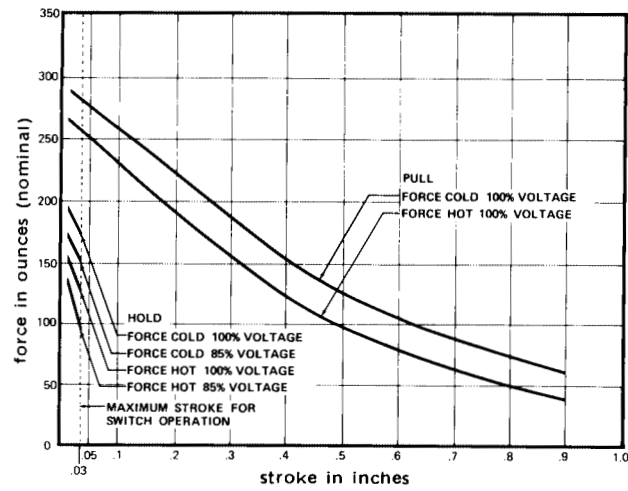
PS-75 STANDARD COIL RATING

VOLTAGE	CONTINUOUS DUTY	PULL COIL RESISTANCE	HOLD COIL RESISTANCE
DC COILS	P/N		
6 VDC	51073-80	.24 OHMS	2.75 OHMS
12 VDC	51073-81*	.96 OHMS	11 OHMS
24 VDC	51073-83*	3.84 OHMS	44.2 OHMS
28 VDC	51073-85	5.2 OHMS	60 OHMS
32 VDC	51073-87	6.8 OHMS	78.6 OHMS
36 VDC	51073-88	9.1 OHMS	99 OHMS
48 VDC	51073-89	15.4 OHMS	176.6 OHMS
90 VDC	51073-90	54 OHMS	620 OHMS
115 VDC	51073-93	88 OHMS	1020 OHMS

*Black Items Are Normally Stocked.

Blue Items Are Non Stock – Minimum Quantity May Be Required.

PS-75 FORCE CURVES (CLASS A)



SCHEMATIC

(WITH PLUNGER AT 0 STROKE)

