

Features

Bicolor LED indicator light is green in normal conditions and red during trip conditions.

Compact design saves on precious panel space.

10A @ 240 VAC
General Purpose Relay can switch most loads.

Microcontroller based provides better accuracy and higher reliability than analog designs.

Transient protected to meet IEC 1000-4-5:1995 Standards and stand up under tough conditions.



MotorSaver
SINGLE-PHASE ELECTRIC MOTOR PROTECTORS

Model 50R
Single Phase
Voltage Monitor

•
**Engineered
Protection**

•
**Microcontroller
Based**

**Protects Single-Phase
motors from:**

- Low Voltage
- Optional High Voltage

Additional features:

- UL and cUL listed
- 5 year Warranty
- Made in USA
- Surface mount with optional DIN Rail Mountability
- Optional Manual 2-300 sec. Variable Restart Delay
- Optional 2-30 sec. Trip Delay

Model 50R Single Phase Voltage Monitor has a voltage sensing circuit which constantly monitors the single phase power for a low voltage condition. Single phase motors on fans, compressors, air conditioners, heat pumps, well pumps, sump pumps, and small conveyor motors are all applicable to the Model 50R.

When a harmful condition is detected, the MotorSaver's output relay is deactivated after a specified trip delay. The output relay reactivates after power line conditions return to an acceptable level for a specified amount of time (Restart Delay). The trip delay prevents nuisance tripping due to rapidly fluctuating power line conditions.

MotorSaver®

SINGLE-PHASE ELECTRIC MOTOR PROTECTOR

Model 50R Single Phase Voltage Monitor

Specifications

Operating Points

Special Options

Specifications

Line Voltage Ranges

- 100 V Model.....95 - 120
- 200 V Model.....190 - 240
- 400 V Model*380 - 480

*Comes standard with 470VA@600VAC relay.

Frequency50* or 60 Hz

Low Voltage

- Trip (% of set point)90%
- Reset (% of set point)93%

Delay Time (Nominal)

- Trip2 seconds
- Restart (low voltage)2 seconds
- Restart (complete power loss)2 seconds

Output

- Pilot Duty (SPDT)10 A General Purpose or 480 VA @ 240 VAC
- Transient Protection (Internal)IEC 1000-4-5; 1995 ±6 kv
- Weight1 lb.

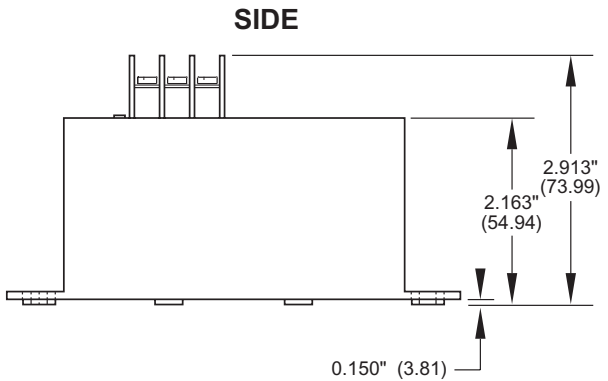
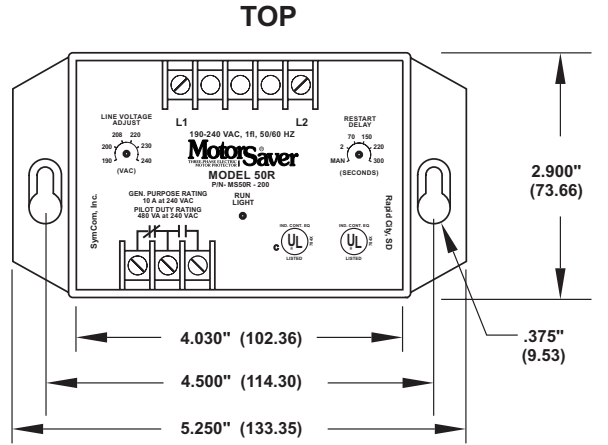
Special Options

- Variable Time Delay Restart2 - 300 seconds w/manual reset
- Variable Trip Delay.....2 - 30 seconds
- Manual Reset.....Standard w/Adj. Restart Delay
- High Voltage Operating Points
 - Trip (% of Set point).....110%
 - Reset (% of Set point)107%

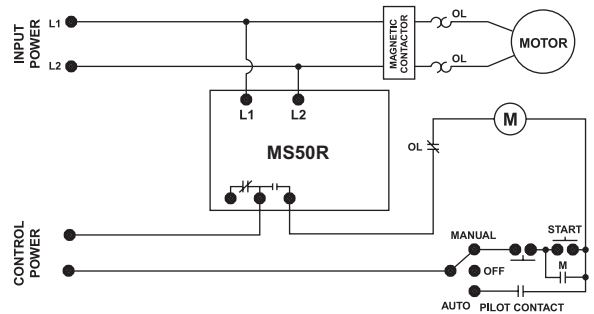
For special operating points, contact the factory.

*Note: 50Hz will increase all delay timers by 20%

SymCom warrants its microprocessor based products against defects in material or workmanship for a period of five (5) years from the date of manufacture. All other products manufactured by SymCom shall be warranted against defects in material and workmanship for a period of two (2) years from the date of manufacture. For complete information on warranty, liability, terms, returns, and cancellations, please refer to the SymCom Terms and Conditions of Sale document.



WIRING DIAGRAM FOR MODEL 50R WITH MOTOR CONTROL



WIRING DIAGRAM FOR MODEL 50R WITH ALARM CONTROL

