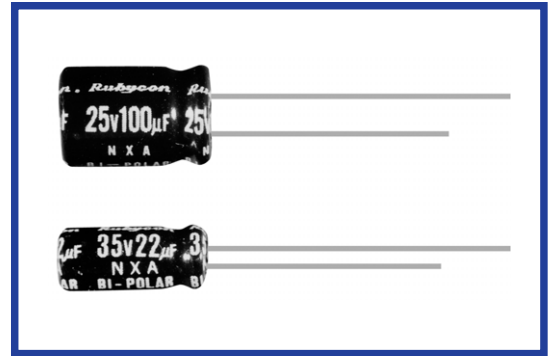


NXA SERIES
105°C Bi-polar Miniaturized
◆FEATURES

•RoHS compliance.


◆SPECIFICATIONS

Items	Characteristics																								
Category Temperature Range	-55~+105°C																								
Rated Voltage Range	6.3~50Vdc																								
Capacitance Tolerance	±20% (20°C, 120Hz)																								
Leakage Current(MAX)	I=0.03CV or 3µA whichever is greater.(After 5 minutes application of rated voltage) I=Leakage Current(µA) C=Capacitance(µF) V=Rated Voltage(Vdc)																								
(tanδ) Dissipation Factor(MAX)	<table border="1"> <thead> <tr> <th>Rated Voltage (Vdc)</th> <th>6.3</th> <th>10</th> <th>16</th> <th>25</th> <th>35</th> <th>50</th> <th>(20°C, 120Hz)</th> </tr> </thead> <tbody> <tr> <td>tanδ</td> <td>0.25</td> <td>0.25</td> <td>0.20</td> <td>0.20</td> <td>0.15</td> <td>0.15</td> <td></td> </tr> </tbody> </table>	Rated Voltage (Vdc)	6.3	10	16	25	35	50	(20°C, 120Hz)	tanδ	0.25	0.25	0.20	0.20	0.15	0.15									
Rated Voltage (Vdc)	6.3	10	16	25	35	50	(20°C, 120Hz)																		
tanδ	0.25	0.25	0.20	0.20	0.15	0.15																			
Endurance	<p>After applying rated voltage with rated ripple current for 1000 hours at 105°C, (The polarity shall be reversed every 250hrs.), the capacitors shall meet the following requirements.</p> <table border="1"> <tbody> <tr> <td>Capacitance Change</td> <td>Within ±25% of the initial value.</td> </tr> <tr> <td>Dissipation Factor</td> <td>Not more than 200% of the specified value.</td> </tr> <tr> <td>Leakage Current</td> <td>Not more than the specified value.</td> </tr> </tbody> </table>	Capacitance Change	Within ±25% of the initial value.	Dissipation Factor	Not more than 200% of the specified value.	Leakage Current	Not more than the specified value.																		
Capacitance Change	Within ±25% of the initial value.																								
Dissipation Factor	Not more than 200% of the specified value.																								
Leakage Current	Not more than the specified value.																								
Low Temperature Stability Impedance Ratio(MAX)	<table border="1"> <thead> <tr> <th>Rated Voltage (Vdc)</th> <th>6.3</th> <th>10</th> <th>16</th> <th>25</th> <th>35</th> <th>50</th> <th>(120Hz)</th> </tr> </thead> <tbody> <tr> <td>Z(-25°C)/Z(20°C)</td> <td>4</td> <td>3</td> <td>2</td> <td>2</td> <td>2</td> <td>2</td> <td></td> </tr> <tr> <td>Z(-40°C)/Z(20°C)</td> <td>8</td> <td>6</td> <td>4</td> <td>4</td> <td>4</td> <td>4</td> <td></td> </tr> </tbody> </table>	Rated Voltage (Vdc)	6.3	10	16	25	35	50	(120Hz)	Z(-25°C)/Z(20°C)	4	3	2	2	2	2		Z(-40°C)/Z(20°C)	8	6	4	4	4	4	
Rated Voltage (Vdc)	6.3	10	16	25	35	50	(120Hz)																		
Z(-25°C)/Z(20°C)	4	3	2	2	2	2																			
Z(-40°C)/Z(20°C)	8	6	4	4	4	4																			

◆MULTIPLIER FOR RIPPLE CURRENT

Frequency coefficient

Frequency (Hz)	60(50)	120	500	1k	10k≤
1µF	0.50	1.00	1.20	1.30	1.50
2.2~4.7µF	0.65	1.00	1.20	1.30	1.50
10~47µF	0.80	1.00	1.20	1.30	1.50
100~1000µF	0.80	1.00	1.10	1.15	1.20

◆OPTION

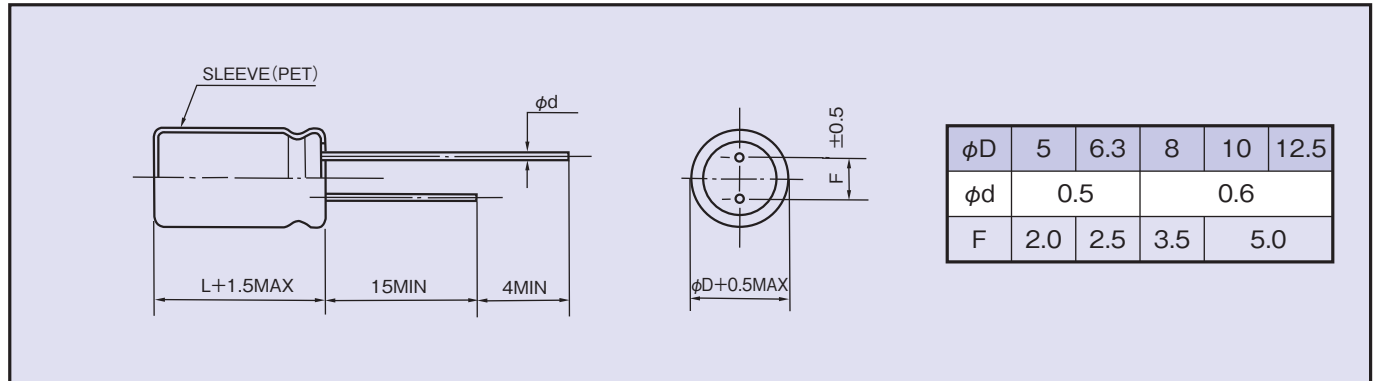
	Code
PET Sleeve	EFC

◆PART NUMBER

□□□	NXA	□□□□□	M	□□□	□□	DXL
Rated Voltage	Series	Capacitance	Capacitance Tolerance	Option	Lead Forming	Case Size

◆ DIMENSIONS

(mm)



◆ STANDARD SIZE

Size $\phi D \times L$ (mm), Rated Ripple Current (mA r.m.s./105°C, 120Hz)

Cap(μF) \ Vdc	6.3		10		16		25	
	Size	Ripple	Size	Ripple	Size	Ripple	Size	Ripple
33							5×11	49
47					5×11	54	6.3×11	68
100	5×11	63	6.3×11	68	6.3×11	84	8×11.5	111
220	6.3×11	68	8×11.5	135	8×11.5	137	10×12.5	182
330	8×11.5	135	8×11.5	147	10×12.5	202	10×16	247
470	8×11.5	161	10×12.5	212	10×16	262	10×20	333
1000	10×16	297	10×20	378	12.5×20	472		

Cap(μF) \ Vdc	35		50	
	Size	Ripple	Size	Ripple
1			5×11	12
2.2			5×11	14
3.3			5×11	19
4.7			5×11	23
10			5×11	30
22	5×11	44	6.3×11	44
33	6.3×11	56	6.3×11	56
47	6.3×11	68	8×11.5	78
100	10×12.5	142	10×16	149
220	10×20	256	12.5×20	277
330	12.5×20	343	12.5×25	364
470	12.5×25	402		