

**PLEASE CHECK WWW.MOLEX.COM FOR LATEST PART INFORMATION**

**Part Number:** [0507538041](#)  
**Status:** **Active**  
**Overview:** PanelMate™ Wire-to-Board Connector System  
**Description:** PanelMate™ Crimp Terminal 50753, 30-32 AWG, Reel

**Documents:**

<a href="#">Drawing (PDF)</a>	<a href="#">Product Specification PS-51146-010-001 (PDF)</a>
<a href="#">Product Specification PS-51146-007-001 (PDF)</a>	<a href="#">Product Specification PS-51146-011-001 (PDF)</a>
<a href="#">Product Specification PS-51146-009-001 (PDF)</a>	<a href="#">RoHS Certificate of Compliance (PDF)</a>

**General**

Product Family	Crimp Terminals
Series	<a href="#">50753</a>
Application	Signal
Crimp Quality Equipment	Yes
Overview	<u>PanelMate™ Wire-to-Board Connector System</u>
Packaging Alternative	<a href="#">50753-8141 (Loose)</a>
Product Name	PanelMate™
UPC	800753369887

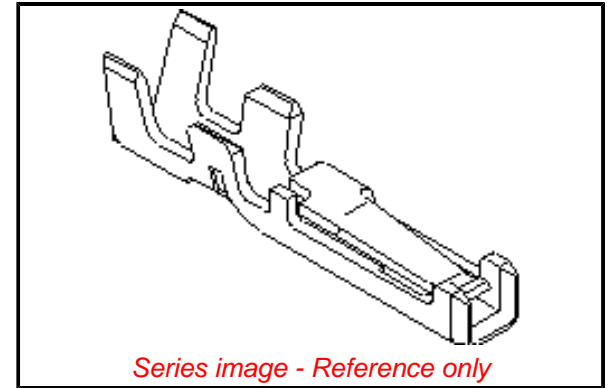
**Physical**

Gender	Female
Material - Metal	Phosphor Bronze
Material - Plating Mating	Gold
Material - Plating Termination	Gold
Net Weight	14.300/mg
Packaging Type	Reel
Plating min - Mating	0.203µm
Plating min - Termination	0.203µm
Termination Interface: Style	Crimp or Compression
Wire Insulation Diameter	0.40-0.55mm
Wire Size AWG	30, 32
Wire Size mm²	N/A

**Material Info**

**Reference - Drawing Numbers**

Product Specification	PS-51146-007-001, PS-51146-009-001, PS-51146-010-001, PS-51146-011-001
Sales Drawing	SD-50753-8****



**EU ELV**

**Not Relevant**

**EU RoHS**

**Compliant**

**REACH SVHC**

Not Contained Per -  
ED/30/2017 (7 July  
2017)

**Halogen-Free**

**Status**

**Low-Halogen**

**Need more information on product  
environmental compliance?**

Email [productcompliance@molex.com](mailto:productcompliance@molex.com)  
Please visit the [Contact Us](#) section for any  
non-product compliance questions.

China ROHS

ELV

RoHS Phthalates

Green Image

Not Relevant

Not Contained

**Search Parts in this Series**

[50753 Series](#)