

注記 NOTES

- ① 材料及び仕上げ (めっき仕様) : TABLE 1, TABLE2 参照  
MATERIAL AND FINISHES (PLATING SPECIFICATION) : SEE TABLE 1, TABLE2.
- ② 嵌合相手 : 505432シリーズ  
MATE WITH : 505432 SERIES
- ③ 端子テール部 及び ネイルの平坦度 : 0.12MAXIMUM.  
TAIL AND NAIL COPLANARITY TO BE 0.12 MAXIMUM.
- ④ 極数 / 2 = 偶数に適用。  
APPLY FOR CIRCUIT SIZE / 2 = EVEN.
- ⑤ 製品仕様書 : 5054320000PS006  
PRODUCT SPECIFICATION:5054320000PS006
- ⑥ 発注番号 ORDER No.

極数 CIRCUIT SIZE		505448 ***
番号 NO.	接点部 金めっき厚 CONTACT GOLD PLATING THICKNESS [MICROMETER MINIMUM]	番号 NO.
9	0.1	0
3	0.38	1
5	0.76	2
		4
		6

7.コネクタ取扱説明書 : AS-505432-001 PS 001  
APPLICATION SPECIFICATION : AS-505432-001 PS 001

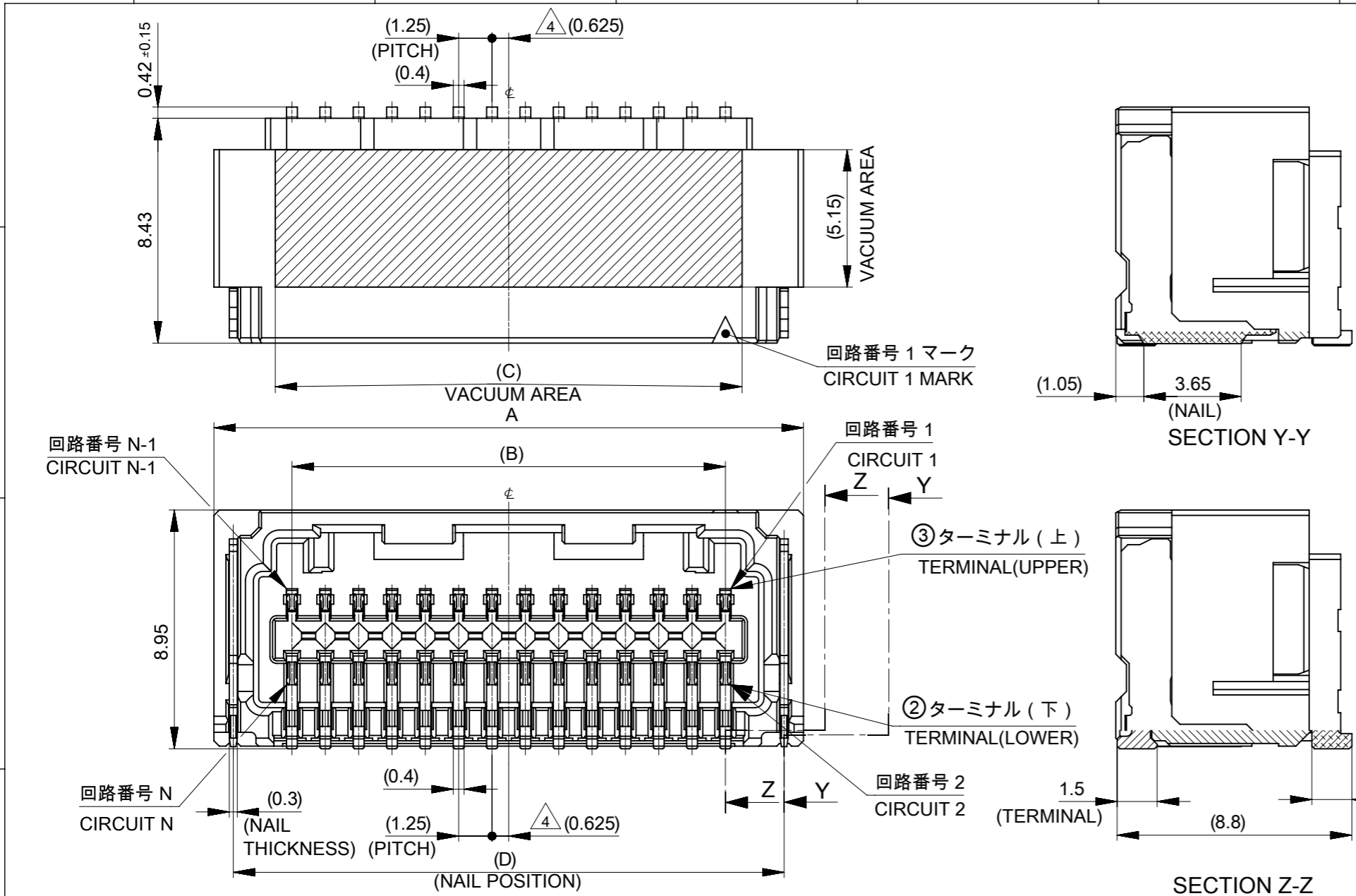
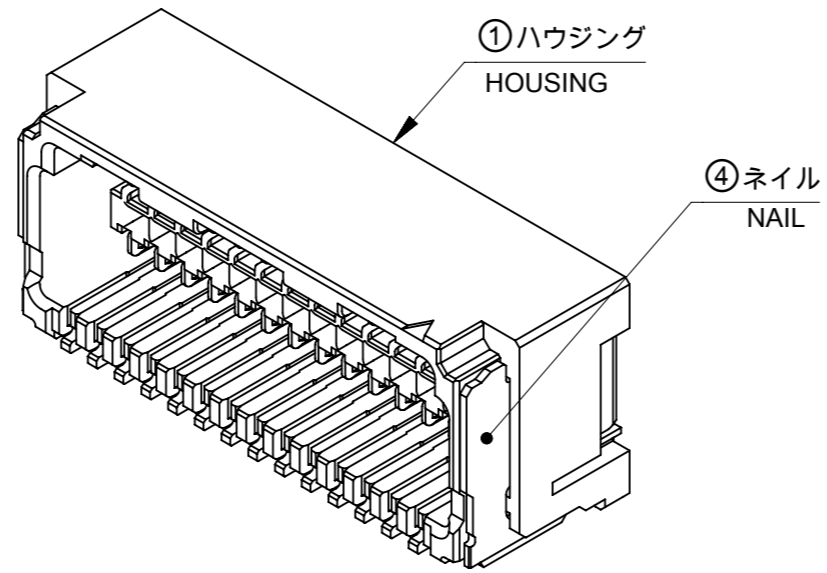
49.4	45.4	20.2	44 ±0.3	29.4	26.25	25	30.85	42
				28.15	25	23.75	29.6	40
				26.9	23.75	22.5	28.35	38
				25.65	22.5	21.25	27.1	36
				24.4	21.25	20	25.85	34
				23.15	20	18.75	24.6	32
				21.9	18.75	17.5	23.35	30
37.4	33.4	14.2	32 ±0.3	20.65	17.5	16.25	22.1	28
				19.4	16.25	15	20.85	26
				18.15	15	13.75	19.6	24
				16.9	13.75	12.5	18.35	22
				15.65	12.5	11.25	17.1	20
				14.4	11.25	10	15.85	18
				13.15	10	8.75	14.6	16
29.4	25.4	11.5	24 ±0.3	11.9	8.75	7.5	13.35	14
				10.65	7.5	6.25	12.1	12
				9.4	6.25	5	10.85	10
				8.15	5	3.75	9.6	8
H	G	F	E	D	C	B	A	極数 CIRCUIT SIZE

THIS DRAWING CONTAINS INFORMATION THAT IS PROPRIETARY TO MOLEX ELECTRONIC TECHNOLOGIES, LLC AND SHOULD NOT BE USED WITHOUT WRITTEN PERMISSION

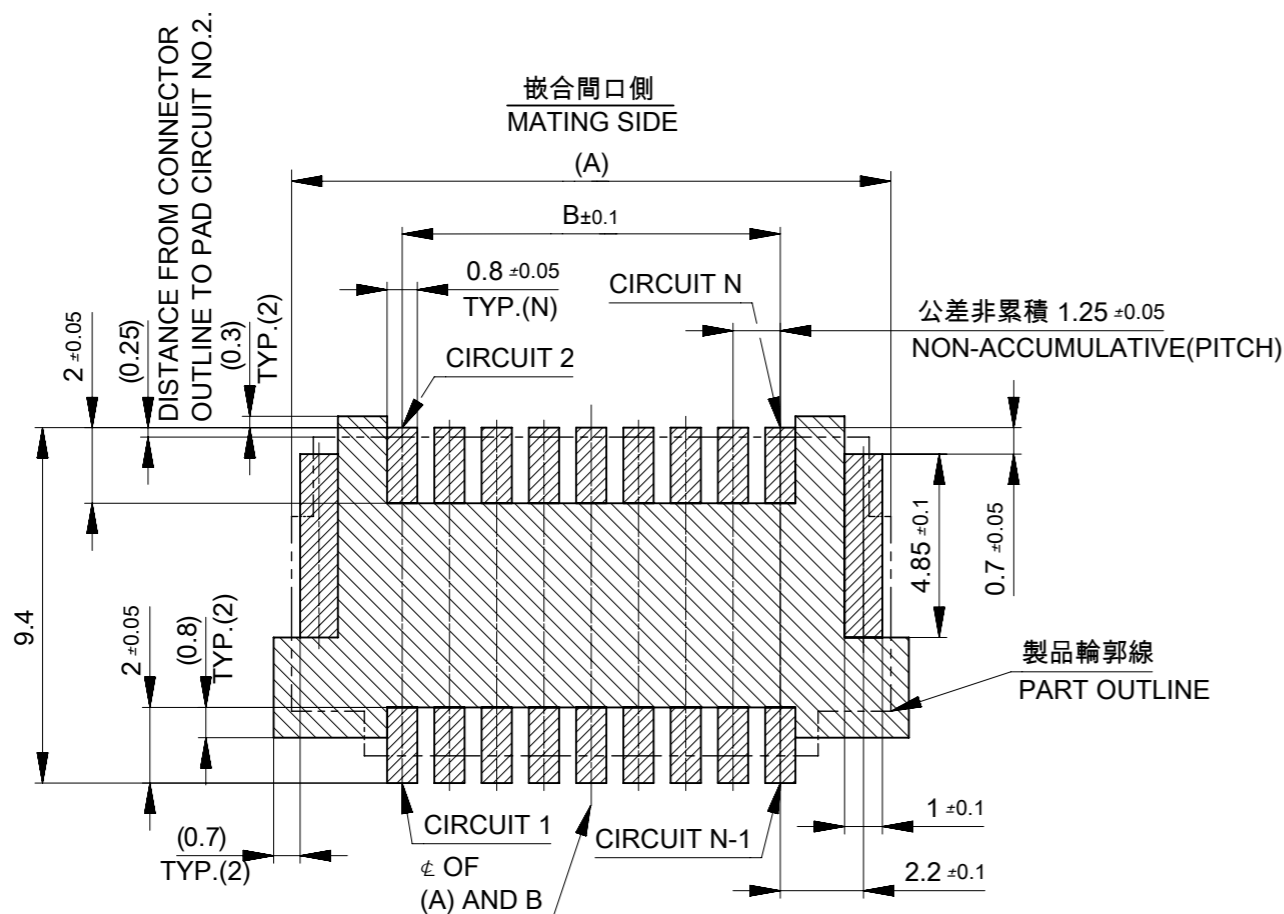
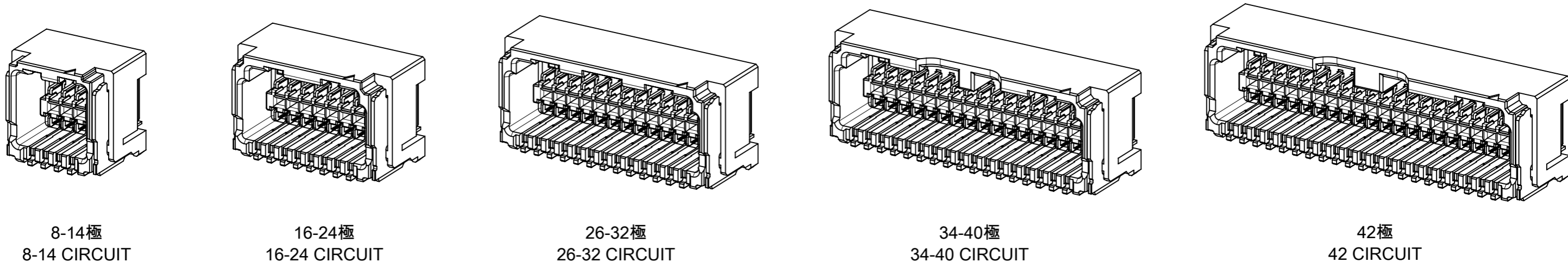
DIMENSION UNITS	SCALE	CURRENT REV DESC: REVISED	<b>molex</b>			
mm	NTS					
GENERAL TOLERANCES (UNLESS SPECIFIED)			MICRO-LOCK PLUS 1.25 W/B DUAL ROW RIGHT ANGLE SMT PLUG ASSEMBLY GOLD PLATING			
ANGULAR TOL	± 3.0°	EC NO: 630688	PRODUCT CUSTOMER DRAWING			
4 PLACES	± 0.2	DRWN: TENAGASE 2020/01/20	DOCUMENT NUMBER			
3 PLACES	± 0.2	CHK'D: SAKIYAMA 2020/01/21	DOC TYPE			
2 PLACES	± 0.2	APPR: KOMURAKAMI 2020/01/23	DOC PART			
1 PLACE	± 0.2	INITIAL REVISION:	REVISION			
0 PLACES	± 0.2	DRWN: TAKAIKE 2019/08/21	5054480003-SD			
		APPR: AIDA 2019/12/26	PSD 000 B			
DRAFT WHERE APPLICABLE MUST REMAIN WITHIN DIMENSIONS	THIRD ANGLE PROJECTION	DRAWING	SERIES	MATERIAL NUMBER	CUSTOMER	SHEET NUMBER
		A3-SIZE	505448	SEE SHEET 4	GENERAL	1 OF 4

① TABLE 1

番号 NO.	部品 PART	材質 MATERIAL
①	ハウジング HOUSING	POLYAMIDE(PA) UL94V-0 色 : SHEET 4参照 POLYAMIDE(PA) UL94V-0 COLOR : SEE SHEET 4.
②	ターミナル TERMINAL	黄銅 BRASS 接点部 : 金めっき めっき厚は注記6参照 CONTACT : GOLD PLATING PLATING THICKNESS : SEE NOTE 6. ニッケルめっき (下地めっき) : 2.0 micro-meter MINIMUM. NICKEL PLATING (UNDER PLATING)
④	ネイル NAIL	黄銅 BRASS 錫ピスマスめっき : 1.0 micro-meter MINIMUM. MATTE TIN-BISMUTH PLATING ニッケルめっき (下地めっき) : 1.0 micro-meter MINIMUM. NICKEL PLATING (UNDER PLATING)



製品形状  
PRODUCT SHAPE

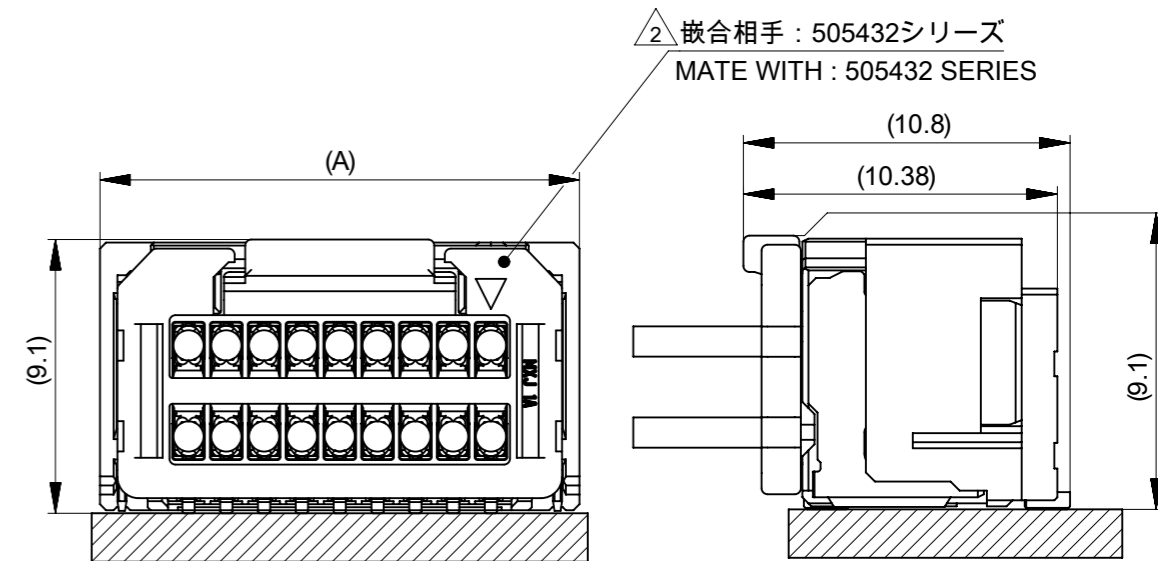


基板パターンレイアウト (参考)  
(参考 : 基板厚 1.6mm, メタルマスク厚さ 0.15mm, マスク開口率 100%)

RECOMMEND PWB LAYOUT : COMPONENT SIDE  
(REFERENCE : PWB THICKNESS 1.6mm, STENCIL THICKNESS 0.15mm, APERTURE RATIO 100%)

パターン非推奨エリア  
パターンを引き回す際は、製品機能に影響がないことをご確認ください。  
PATTERN IS NOT RECOMMENDED ON THE HATCHING AREA  
PLEASE CHECK NOT TO HAVE PROBLEM FOR PRODUCT FUNCTION  
WHEN SETTING PATTERN ON THE HATCHING AREA.

嵌合状態図  
MATED CONNECTORS



THIS DRAWING CONTAINS INFORMATION THAT IS PROPRIETARY TO MOLEX ELECTRONIC TECHNOLOGIES, LLC AND SHOULD NOT BE USED WITHOUT WRITTEN PERMISSION		CURRENT REV DESC: REVISED		<b>molex</b>	
DIMENSION UNITS	SCALE				
mm	NTS			PRODUCT CUSTOMER DRAWING	
GENERAL TOLERANCES (UNLESS SPECIFIED)		EC NO: 630688		DOCUMENT NUMBER	
ANGULAR TOL	± 3.0°	DRWN: TENAGASE 2020/01/20		5054480003-SD	
4 PLACES	± 0.2	CHK'D: SAKIYAMA 2020/01/21		DOC TYPE	DOC PART
3 PLACES	± 0.2	APPR: KOMURAKAMI 2020/01/23		000	B
2 PLACES	± 0.2	INITIAL REVISION:		REVISION	
1 PLACE	± 0.2	DRWN: TAKAIKE 2019/08/21			
0 PLACES	± 0.2	APPR: AIDA 2019/12/26			
DRAFT WHERE APPLICABLE MUST REMAIN WITHIN DIMENSIONS		THIRD ANGLE PROJECTION	DRAWING	SERIES	MATERIAL NUMBER
			A3-SIZE	505448	SEE SHEET 4
				CUSTOMER	SHEET NUMBER
				GENERAL	2 OF 4

引き出し方向  
PULL OUT DIRECTION

DETAIL X

ズレ 0.05 MAXIMUM  
SKEW

44mm幅テープ  
TAPE WIDTH : 44mm

32mm幅テープ  
TAPE WIDTH : 32mm

24mm幅テープ  
TAPE WIDTH : 24mm

エンボスポケット中心位置  
CENTER OF  
EMBOSS POCKET

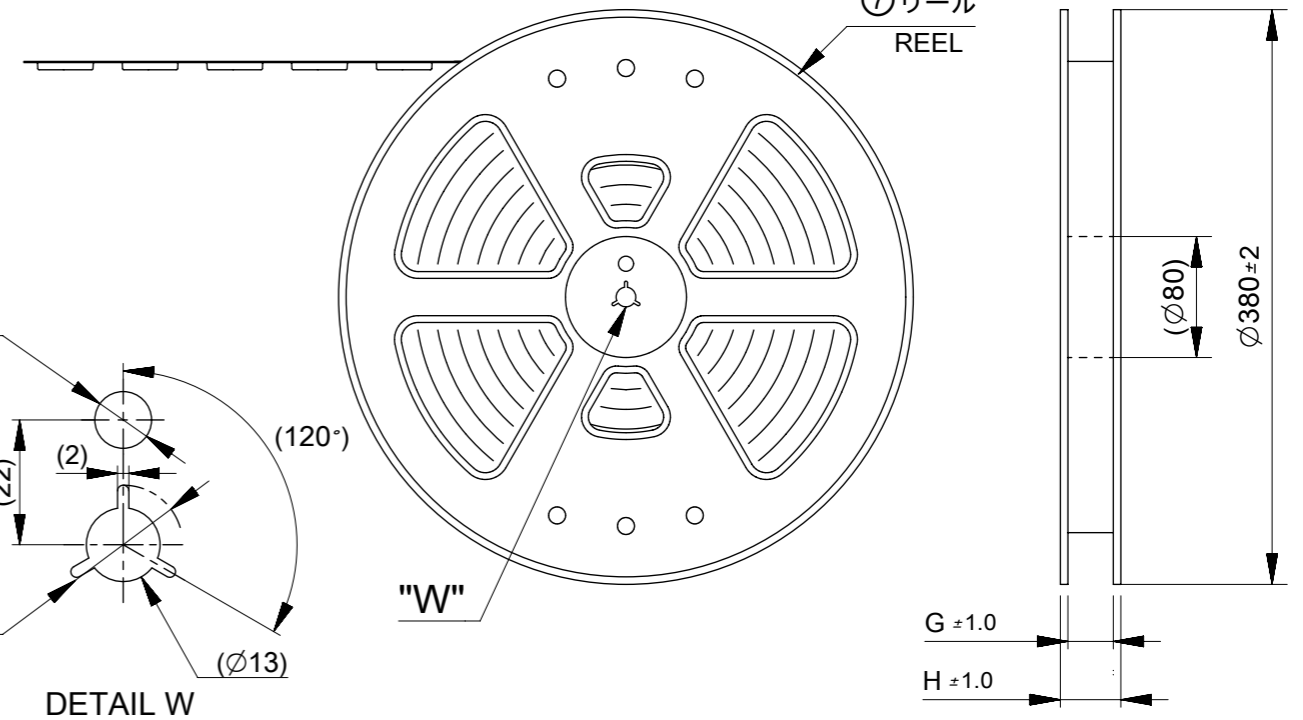
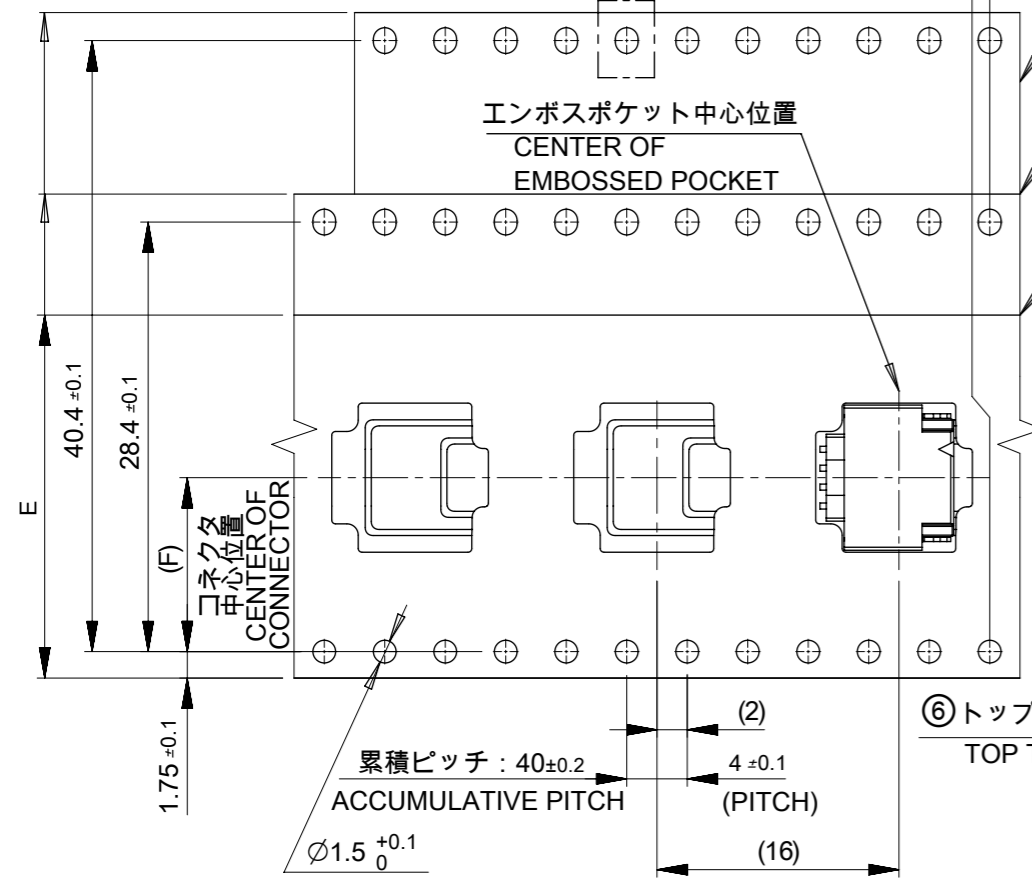
コネクタ  
CONNECTOR

⑤ キャリアテープ  
CARRIER TAPE

⑥ トップテープ  
TOP TAPE

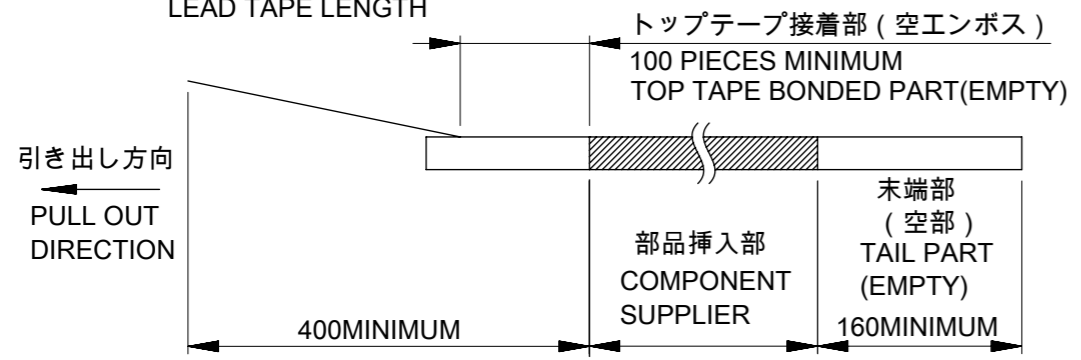
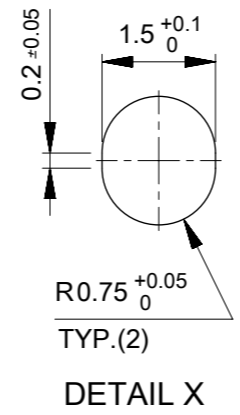
引き出し方向  
PULL OUT DIRECTION

⑦ リール  
REEL



注記 NOTES

- 8. 梱包数量 : 500個  
NUMBER OF CONNECTORS : 500 PIECES/REEL.
- 9. 梱包仕様書 : 5054489200 PS 200  
PACKING SPECIFICATION : 5054489200 PS 200
- 10. リードテープ長さ  
LEAD TAPE LENGTH



11. トップテープの剥離強度については、IEC60286-3に準拠  
TOP TAPE PEEL FORCE IS DEFINED BY IEC60286-3.

TABLE 2

番号 NO.	部品 PART	材質 MATERIAL
⑤	キャリアテープ CARRIER TAPE	ポリスチレン(PS) POLYSTYRENE(PS)
⑥	トップテープ TOP TAPE	ポリエチレン(PE)、その他 POLYETHYLENE(PE), OTHER
⑦	リール REEL	ポリスチレン(PS) <リサイクル材を含む> POLYSTYRENE(PS) <RECYCLE MATERIAL CONTAINED >

DOCUMENT STATUS | P1 | RELEASE DATE | 2020/01/23 05:31:33

THIS DRAWING CONTAINS INFORMATION THAT IS PROPRIETARY TO MOLEX ELECTRONIC TECHNOLOGIES, LLC AND SHOULD NOT BE USED WITHOUT WRITTEN PERMISSION		CURRENT REV DESC: REVISED		<b>molex</b>	
DIMENSION UNITS	SCALE				
mm	NTS			PRODUCT CUSTOMER DRAWING	
GENERAL TOLERANCES (UNLESS SPECIFIED)		EC NO: 630688		DOCUMENT NUMBER	
ANGULAR TOL ± 3.0°		DRWN: TENAGASE 2020/01/20		5054480003-SD	
4 PLACES ± 0.2		CHK'D: SAKIYAMA 2020/01/21		DOC TYPE DOC PART REVISION	
3 PLACES ± 0.2		APPR: KOMURAKAMI 2020/01/23		PSD 000 B	
2 PLACES ± 0.2		INITIAL REVISION:		MATERIAL NUMBER	
1 PLACE ± 0.2		DRWN: TAKAIKE 2019/08/21		CUSTOMER	
0 PLACES ± 0.2		APPR: AIDA 2019/12/26		GENERAL	
DRAFT WHERE APPLICABLE MUST REMAIN WITHIN DIMENSIONS		THIRD ANGLE PROJECTION	DRAWING	SERIES	SHEET NUMBER
			A3-SIZE	505448	3 OF 4

△ 505448\*\*9\* 発注番号一覧 ORDER NUMBER LIST

緑 GREEN	青 BLUE	赤 RED	黒 BLACK	ナチュラル (ベージュ) NATURAL (BEIGE)	ハウジングカラー HOUSING COLOR
5054484296	5054484294	5054484292	5054484291	5054484290	42
5054484096	5054484094	5054484092	5054484091	5054484090	40
5054483896	5054483894	5054483892	5054483891	5054483890	38
5054483696	5054483694	5054483692	5054483691	5054483690	36
5054483496	5054483494	5054483492	5054483491	5054483490	34
5054483296	5054483294	5054483292	5054483291	5054483290	32
5054483096	5054483094	5054483092	5054483091	5054483090	30
5054482896	5054482894	5054482892	5054482891	5054482890	28
5054482696	5054482694	5054482692	5054482691	5054482690	26
5054482496	5054482494	5054482492	5054482491	5054482490	24
5054482296	5054482294	5054482292	5054482291	5054482290	22
5054482096	5054482094	5054482092	5054482091	5054482090	20
5054481896	5054481894	5054481892	5054481891	5054481890	18
5054481696	5054481694	5054481692	5054481691	5054481690	16
5054481496	5054481494	5054481492	5054481491	5054481490	14
5054481296	5054481294	5054481292	5054481291	5054481290	12
5054481096	5054481094	5054481092	5054481091	5054481090	10
5054480896	5054480894	5054480892	5054480891	5054480890	8
発注番号 ORDER NUMBER					極数 CIRCUIT SIZE
梱包形態 : キャリアテープ梱包 PACKAGING STYLE : CARRIER TAPE AND REEL					

△ 505448\*\*5\* 発注番号一覧 ORDER NUMBER LIST

緑 GREEN	青 BLUE	赤 RED	黒 BLACK	ナチュラル (ベージュ) NATURAL (BEIGE)	ハウジングカラー HOUSING COLOR
5054484256	5054484254	5054484252	5054484251	5054484250	42
5054484056	5054484054	5054484052	5054484051	5054484050	40
5054483856	5054483854	5054483852	5054483851	5054483850	38
5054483656	5054483654	5054483652	5054483651	5054483650	36
5054483456	5054483454	5054483452	5054483451	5054483450	34
5054483256	5054483254	5054483252	5054483251	5054483250	32
5054483056	5054483054	5054483052	5054483051	5054483050	30
5054482856	5054482854	5054482852	5054482851	5054482850	28
5054482656	5054482654	5054482652	5054482651	5054482650	26
5054482456	5054482454	5054482452	5054482451	5054482450	24
5054482256	5054482254	5054482252	5054482251	5054482250	22
5054482056	5054482054	5054482052	5054482051	5054482050	20
5054481856	5054481854	5054481852	5054481851	5054481850	18
5054481656	5054481654	5054481652	5054481651	5054481650	16
5054481456	5054481454	5054481452	5054481451	5054481450	14
5054481256	5054481254	5054481252	5054481251	5054481250	12
5054481056	5054481054	5054481052	5054481051	5054481050	10
5054480856	5054480854	5054480852	5054480851	5054480850	8
発注番号 ORDER NUMBER					極数 CIRCUIT SIZE
梱包形態 : キャリアテープ梱包 PACKAGING STYLE : CARRIER TAPE AND REEL					

△ 505448\*\*3\* 発注番号一覧 ORDER NUMBER LIST

緑 GREEN	青 BLUE	赤 RED	黒 BLACK	ナチュラル (ベージュ) NATURAL (BEIGE)	ハウジングカラー HOUSING COLOR
5054484236	5054484234	5054484232	5054484231	5054484230	42
5054484036	5054484034	5054484032	5054484031	5054484030	40
5054483836	5054483834	5054483832	5054483831	5054483830	38
5054483636	5054483634	5054483632	5054483631	5054483630	36
5054483436	5054483434	5054483432	5054483431	5054483430	34
5054483236	5054483234	5054483232	5054483231	5054483230	32
5054483036	5054483034	5054483032	5054483031	5054483030	30
5054482836	5054482834	5054482832	5054482831	5054482830	28
5054482636	5054482634	5054482632	5054482631	5054482630	26
5054482436	5054482434	5054482432	5054482431	5054482430	24
5054482236	5054482234	5054482232	5054482231	5054482230	22
5054482036	5054482034	5054482032	5054482031	5054482030	20
5054481836	5054481834	5054481832	5054481831	5054481830	18
5054481636	5054481634	5054481632	5054481631	5054481630	16
5054481436	5054481434	5054481432	5054481431	5054481430	14
5054481236	5054481234	5054481232	5054481231	5054481230	12
5054481036	5054481034	5054481032	5054481031	5054481030	10
5054480836	5054480834	5054480832	5054480831	5054480830	8
発注番号 ORDER NUMBER					極数 CIRCUIT SIZE
梱包形態 : キャリアテープ梱包 PACKAGING STYLE : CARRIER TAPE AND REEL					

THIS DRAWING CONTAINS INFORMATION THAT IS PROPRIETARY TO MOLEX ELECTRONIC TECHNOLOGIES, LLC AND SHOULD NOT BE USED WITHOUT WRITTEN PERMISSION											
DIMENSION UNITS <b>mm</b>		SCALE <b>NTS</b>		CURRENT REV DESC: REVISED				<b>molex</b>		MICRO-LOCK PLUS 1.25 W/B DUAL ROW RIGHT ANGLE SMT PLUG ASSEMBLY GOLD PLATING	
GENERAL TOLERANCES (UNLESS SPECIFIED)		ANGULAR TOL ± 3.0°		EC NO: 630688							
4 PLACES ± 0.2		3 PLACES ± 0.2		DRWN: TENAGASE		2020/01/20		PRODUCT CUSTOMER DRAWING			
2 PLACES ± 0.2		1 PLACE ± 0.2		CHK'D: SAKIYAMA		2020/01/21					
0 PLACES ± 0.2		DRAFT WHERE APPLICABLE MUST REMAIN WITHIN DIMENSIONS		APPR: KOMURAKAMI		2020/01/23		INITIAL REVISION:		DOCUMENT NUMBER	
THIRD ANGLE PROJECTION		DRAWING		SERIES		MATERIAL NUMBER		CUSTOMER		SHEET NUMBER	
		A3-SIZE		505448		5054480003-SD		GENERAL		4 OF 4	