

**PLEASE CHECK WWW.MOLEX.COM FOR LATEST PART INFORMATION**

**Part Number:** [5041940570](#)  
**Status:** **Active**  
**Overview:** Micro-Lock™ Connectors  
**Description:** Micro-Lock 1.25mm Pitch Single-Row Vertical Header, Beige, 5 Circuits

**Documents:**

<a href="#">3D Model</a>	<a href="#">Application Specification AS-504193-002-001 (PDF)</a>
<a href="#">Drawing (PDF)</a>	<a href="#">Packaging Specification SPK-504194-001-001 (PDF)</a>
<a href="#">Product Specification PS-504193-001-001 (PDF)</a>	<a href="#">RoHS Certificate of Compliance (PDF)</a>
<a href="#">Application Specification AS-504193-001-001 (PDF)</a>	

**General**

Product Family	PCB Headers
Series	<a href="#">504194</a>
Application	Wire-to-Board
CURRENT-MAX-NUMERIC	1.5
Overview	<u>Micro-Lock™ Connectors</u>
PITCH-MATING-NUMERIC	1.25
Product Name	Micro-Lock
UPC	887191208237

**Physical**

Breakaway	No
Circuits (Loaded)	5
Circuits (maximum)	5
Color - Resin	Beige
Durability (mating cycles max)	30
First Mate / Last Break	No
Glow-Wire Capable	No
Guide to Mating Part	No
Lock to Mating Part	Yes
Material - Metal	Brass
Material - Plating Mating	Tin
Material - Plating Termination	Nickel
Net Weight	182.886/mg
Number of Rows	1
Orientation	Vertical
PC Tail Length	3.00mm
PCB Locator	No
PCB Retention	None
PCB Thickness - Recommended	1.20mm, 1.60mm
Packaging Type	Embossed Tape on Reel
Pitch - Mating Interface	1.25mm
Pitch - Termination Interface	1.25mm
Temperature Range - Operating	-25° to +85°C
Termination Interface: Style	Surface Mount

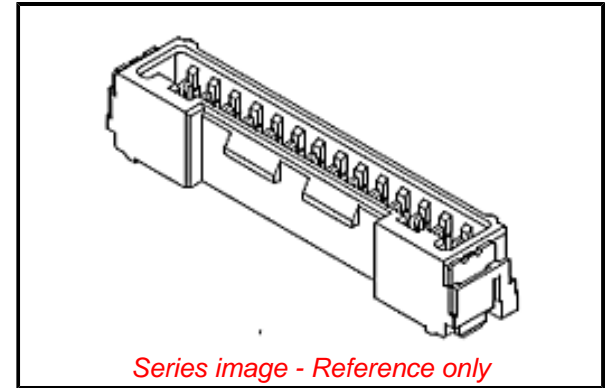
**Electrical**

Current - Maximum per Contact	1.5A
Voltage - Maximum	50V

**Material Info**

**Reference - Drawing Numbers**

Application Specification	AS-504193-001-001, AS-504193-002-001
Packaging Specification	SPK-504194-001-001
Product Specification	PS-504193-001-001
Sales Drawing	SD-504194-001, SD-504194-002



**EU ELV**

**Not Relevant**

**EU RoHS**

**Compliant**

**REACH SVHC**

Not Contained Per -  
ED/71/2019 (16 July  
2019)

**Halogen-Free**

**Status**

**Not Low-Halogen**

For more information, please visit [Contact US](#)

China ROHS

ELV

RoHS Phthalates

**China RoHS**

Green Image

Not Relevant

Not Contained

**Search Parts in this Series**

[504194 Series](#)

**Mates With**

[504193](#) Micro-Lock Wire-to-Board Crimp Housing

This document was generated on 09/04/2019

**PLEASE CHECK [WWW.MOLEX.COM](http://WWW.MOLEX.COM) FOR LATEST PART INFORMATION**