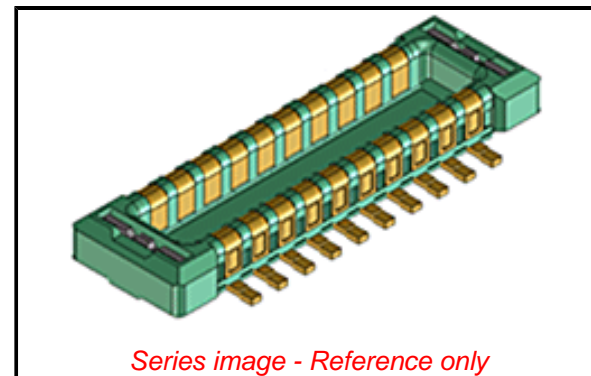


PLEASE CHECK WWW.MOLEX.COM FOR LATEST PART INFORMATION

Part Number: **5037766010**
Status: **Active**
Overview: SlimStack™ 0.40mm Pitch Board-to-Board Connectors
Description: 0.40mm Pitch SlimStack B8 Board-to-Board Plug, Surface Mount, Dual Row, Vertical, 0.80mm Stacking Height, 60 Circuits

Documents:

3D Model	Product Specification PS-503772-002-001 (PDF)
Drawing (PDF)	Application Specification AS-503772-001-001 (PDF)
Product Specification PS-503772-001-001 (PDF)	RoHS Certificate of Compliance (PDF)



General

Product Family	PCB Headers
Series	503776
Application	Board-to-Board, Signal
Overview	SlimStack™ 0.40mm Pitch Board-to-Board Connectors
Product Name	SlimStack
Series Name	B8
UPC	884982408975

Physical

Breakaway	No
Circuits (Loaded)	60
Circuits (maximum)	60
Color - Resin	Black
Durability (mating cycles max)	30
Glow-Wire Capable	No
Lock to Mating Part	Yes
Mated Height	0.80mm
Mated Width	2.50mm
Material - Metal	Copper Alloy
Material - Plating Mating	Gold
Material - Plating Termination	Gold
Net Weight	24.566/mg
Number of Rows	2
Orientation	Vertical
PCB Locator	No
PCB Retention	Yes
Packaging Type	Embossed Tape on Reel
Pitch - Mating Interface	0.40mm
Polarized to Mating Part	No
Polarized to PCB	No
Stackable	No
Temperature Range - Operating	-40° to +85°C
Termination Interface: Style	Surface Mount

Electrical

Current - Maximum per Contact	0.3A
Voltage - Maximum	50V AC/DC

Material Info

Reference - Drawing Numbers

Application Specification	AS-503772-001-001
Product Specification	PS-503772-001-001, PS-503772-002-001
Sales Drawing	5037760000-000, 5037761000-000

EU ELV

Not Relevant

EU RoHS

Compliant

REACH SVHC

Not Contained Per -
ED/61/2018 (27 June 2018)

Halogen-Free

Status

Low-Halogen

Need more information on product environmental compliance?

Email productcompliance@molex.com
Please visit the [Contact Us](#) section for any non-product compliance questions.

China ROHS

ELV

RoHS Phthalates

China RoHS

Green Image

Not Relevant

Not Contained

Search Parts in this Series

[503776 Series](#)

Mates With

SlimStack B8 Board-to-Board Receptacle
[503772-6010](#)

This document was generated on 08/14/2018

PLEASE CHECK WWW.MOLEX.COM FOR LATEST PART INFORMATION