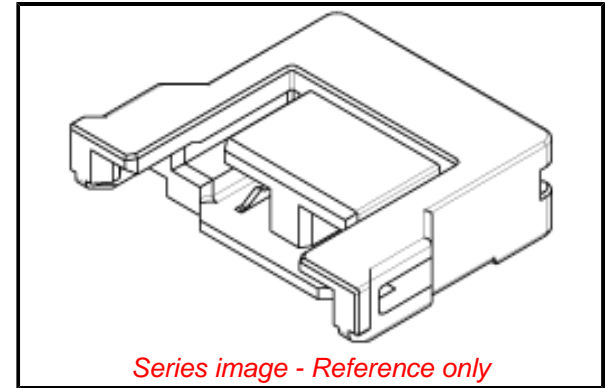


**PLEASE CHECK WWW.MOLEX.COM FOR LATEST PART INFORMATION**

**Part Number:** [5034740200](#)  
**Status:** **Active**  
**Overview:** [Flexi-Mate™ Connector System](#)  
**Description:** Flexi-Mate 3.70mm Pitch Receptacle Circuit Terminator Connector, Right Angle, 3.00mm Stacking Height, 2 Circuits

**Documents:**

<a href="#">3D Model</a>	<a href="#">Application Specification AS-503471-001-061 (PDF)</a>
<a href="#">Drawing (PDF)</a>	<a href="#">Packaging Specification SPK-503474-001-001 (PDF)</a>
<a href="#">Product Specification 5034710000-000 (PDF)</a>	<a href="#">RoHS Certificate of Compliance (PDF)</a>
<a href="#">Product Specification PS-503471-001-001 (PDF)</a>	



**Agency Certification**

UL E29179

**General**

Product Family	Accessories
Series	503474
Component Type	Circuit Terminator
Overview	<a href="#">Flexi-Mate™ Connector System</a>
Product Name	Flexi-Mate™
UPC	883906918651

**Physical**

Circuits (Loaded)	2
Circuits (maximum)	2
Color - Resin	White
Flammability	94HB
Gender	Receptacle
Lock to Mating Part	Yes
Material - Metal	Phosphor Bronze
Material - Plating Mating	Tin
Material - Plating Termination	Tin
Net Weight	233.680/mg
Packaging Type	Bag
Polarized to Mating Part	Yes
Temperature Range - Operating	-40°C to +85°C
Termination Interface: Style	N/A

**Electrical**

Current - Maximum per Contact 2.0A

**Material Info**

**Reference - Drawing Numbers**

Application Specification	AS-503471-001-061
Packaging Specification	SPK-503474-001-001
Product Specification	5034710000-000, PS-503471-001-001
Sales Drawing	SD-503474-001

**EU ELV**

**Not Relevant**

**EU RoHS**

**Compliant**

**REACH SVHC**

Not Contained Per -  
ED/30/2017 (7 July  
2017)

**Halogen-Free**

**Status**

**Not Low-Halogen**

**Need more information on product  
environmental compliance?**

Email [productcompliance@molex.com](mailto:productcompliance@molex.com)  
Please visit the [Contact Us](#) section for any  
non-product compliance questions.

China ROHS

ELV

RoHS Phthalates

**China RoHS**

Green Image

Not Relevant

Not Contained

**Search Parts in this Series**

503474 Series

**Use With**

503469 PCB Header