

19" Rack cases

APPLICATIONS

19" rack cases are designed to offer a simple solution to many 19" mounting applications, notably for those involving audio and radio equipment. The design allows numerous combinations to be assembled according to the application and hence offers total flexibility for the design engineer, using common piece parts. It also allows the case to be presented in a number of attractive finishes for individual product tailoring.

Features

- Conforms to IEC 297-1, DIN 41494
- Simple design for total access
- Three depth variations
- Three height variations
- Numerous configurations for total flexibility
- Slide mounting facility

Contents of kit

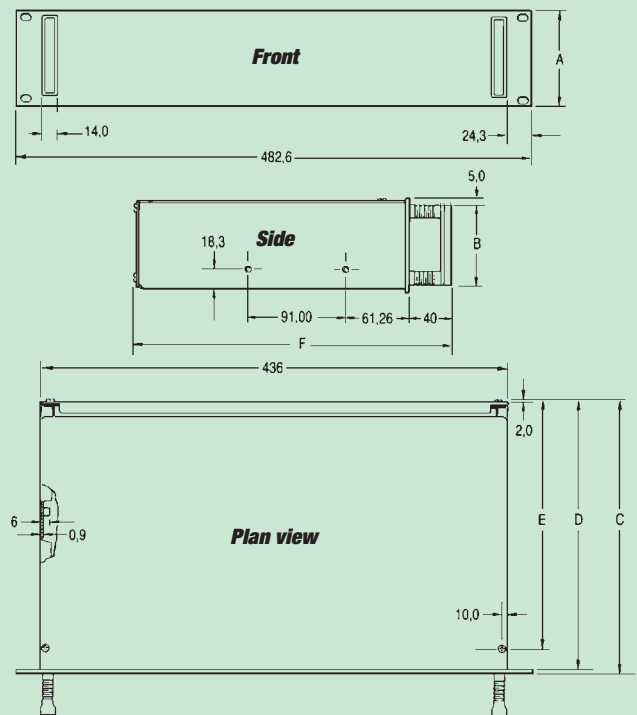
Item/Description	Material/Finish
Top and base	0.9mm RAL 7035 painted steel
Front panels	3mm anodised aluminium (black or clear) or painted steel 1.6mm RAL 7035
Rear panels	1.2mm RAL 7035 painted steel
Handles	ABS RAL 7035 or black and clear/black anodised aluminium extrusion.

SLIDE MOUNTING

Please use the following slides **98-43211G** or **98-43212C**



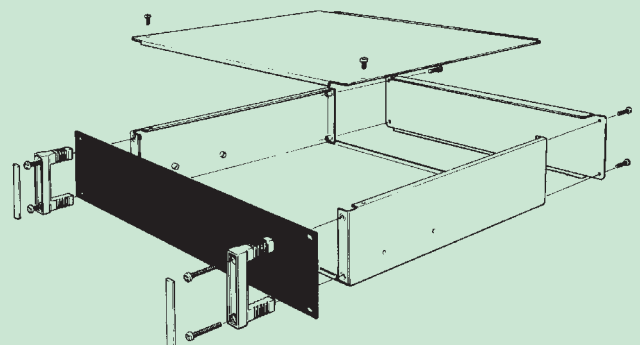
19" Rack cases



Height of unit	A	B	Dept of unit	C	D*	E	F
1U	44,45	34,00	250	252,0	249,0	229,0	292,0
2U	88,9	78,0	350	352,0	349,0	329,0	392,0
3U	133,35	122,0	450	452,0	449,0	429,0	492,0

*Assuming 3mm F/panel thickness

GENERAL ASSEMBLY



19" Rack cases

HOW TO CONFIGURE THE RACK CASE

Since it is generally accepted that the case will consist of a top, base, front and rear, the following example illustrates how to select the configuration which best suits you.

THE TOP

This is available in 3 depths of 250mm, 350mm and 450mm in a ventilated and unventilated version and is simply attached to the case by means of two fasteners at the front.

HANDLES

These are available in 1U, 2U and 3U versions and can be either black or grey. They attach to the case using 4 fixing screws through the front panel fixing centres.

THE BASE

This is available in 3 depths of 250mm, 350mm and 450mm and three heights of 1U, 2U and 3U. It is also available in ventilated and unventilated versions. The base also has provision for the attachment of slides.

FRONT PANELS

These are available in anodised aluminium (black or clear) and are attached to the base by means of 4 screw fixings. There are 3 height variations of 1U, 2U and 3U and all will accept front panel handles.

Delivery: Please note that all units will be supplied assembled.

REAR PANELS

These are available in RAL 7035 painted steel and are attached to the base by 4 screw fixings. There are 3 height variations of 1U, 2U and 3U and all are removable.

19" RACK CASES PART SELECTOR CHART

Ordering information

Front panels	1U	2U	3U
Painted steel (grey)	503-232969	503-232972	503-232975
Black anodise	503-232970	503-232973	503-232976C
Clear anodise	503-232971	503-232974	503-232977

Rear panels	1U	2U	3U
RAL 7035 painted steel	503-232984	503-232985	503-232986

Top covers	250mm	350mm	450mm
Ventilated	503-232963	503-232965	503-232967
Unventilated	503-232964	503-232966	503-232968

Base 1U	250mm	350mm	450mm
Ventilated	503-232945	503-232951	503-232957
Unventilated	503-232946A	503-232952	503-232958

Base 2U	250mm	350mm	450mm
Ventilated	503-232947	503-232953	503-232959
Unventilated	503-232948	503-232954	503-232960

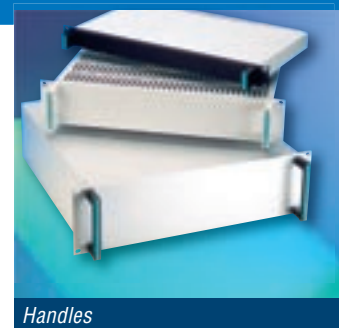
Base 3U	250mm	350mm	450mm
Ventilated	503-232949	503-232955	503-232961
Unventilated	503-232950	503-232956	503-232962

Handles	1U	2U	3U
Black	503-232978	503-232980	503-232982
Grey	503-232979	503-232981	503-232983

Note: Care should be taken with 1U and 2U 450mm deep versions not to excessively weight load the unit without the use of additional chassis supports.



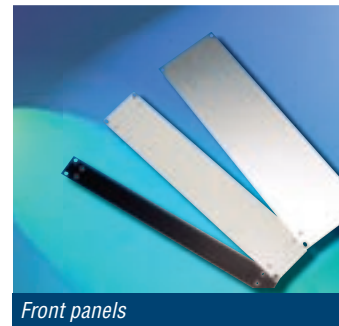
The top



Handles



The base



Front panels



Rear panels

CONFIGURATED PART NUMBERS:

So that specific permutations can be provided, it is now possible to configure exact requirements using the chart below. Each digit of the order code represents an available option for example, part number 519-110111 represents a 1U rack case, 250mm deep with a plain top cover and base, clear anodised front panel and grey handles. Configured units will be supplied assembled.

RACK CASE CODE GENERATOR

