

502 Series - Latching Contactor

SPST - NO, 100 Amp

The 502 series is a solenoid-actuated, mechanically latched, electrically reset contactor. Once the 502 contacts close, they stay closed until a second command is sent to the reset coil. This contactor once activated or deactivated, consumes no power and will remain in position, and not lose its memory no matter how much time passes between signals. The design of the unique latching mechanism makes the 502 highly resistant to shock and vibration without de-latching.

GENERAL SPECIFICATIONS (@ 25° C)

Contacts

Contact Configuration	SPST-NO
Contact Material	Silver Alloy
Contact Rating	
120 / 240VAC Resistive	100 Amp
28VDC Resistive	100 Amp
Contact Resistance, Initial	100 milliohms max @ 6VDC

Coil

Coils Available	AC and DC up to 600V
Nominal Coil Power	22VA 7W
Input Voltage Tolerance - AC	85% to 110% of nominal
Input Voltage Tolerance - DC	80% to 110% of nominal
Drop out voltage	10% of nominal
Duty	Continuous

Timing

Operate Time (max)	50ms
Release Time (max)	50ms

Dielectric Strength:

Across Open Contacts	1000Vrms
Between Mutally Insulated Points	2200Vrms
Insulation Resistance	1,000 Megohms min @ 500VDC

Temperature:

Operating	-40 to 65°C (-40 to 149°F)
Storage	-40 to 105°C (-40 to 221°F)

Life Expectancy:

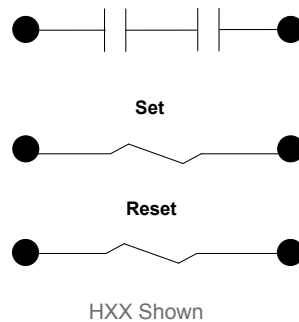
Electrical (full load operations)	100,000
Mechanical (no load operations)	500,000

Miscellaneous:

Mounting Position	Vertical, Contacts Up
Enclosure	Open
Weight	30.7oz (780 grams)



502 Wire Diagram

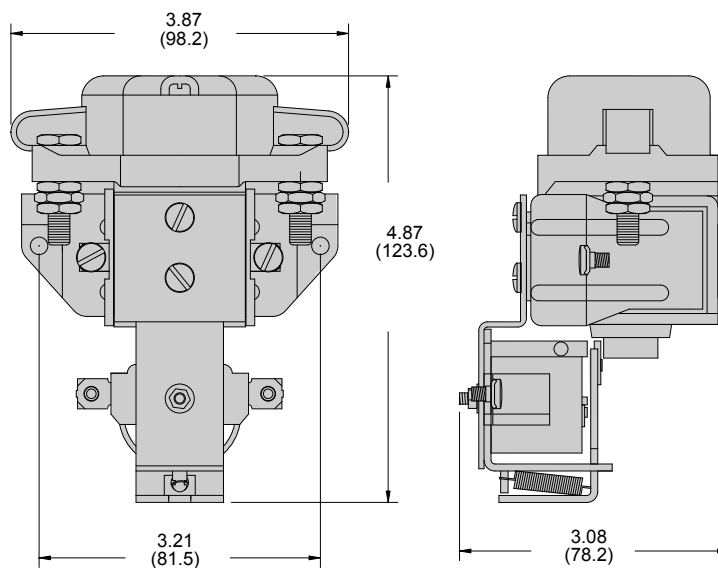


Latching / Sequencing Relays

10 - 100 Amp

Outline Dimensions

Dimensions Shown in inches & (millimeters)



Section 4

Ordering Code **502** **HXX** **24VAC**

Series
502

Contact Arrangement
HXX (SPST - NO - double make)

Coil Voltage
AC: 12, 24, 120, 240 (Add VAC)
DC: 12, 24, 48, 115-125 (Add VDC)