

注記 NOTES:
 1.材質 MATERIAL
 ハウジング: LCP(液晶ポリマー)、白色、ガラス充填、UL94V-0
 HOUSING: LIQUID CRYSTAL POLYMER, WHITE (NATURAL)
 GLASS FILLED, UL94V-0
 アクチュエータ: ポリアミド樹脂
 黒色、ガラス充填、UL94V-HB
 ACTUATOR: POLYAMIDE
 BLACK GLASS FILLED, UL94V-HB
 ターミナル: 銅合金 (t=0.12)
 TERMINAL: COPPER ALLOY (t=0.12)
 金具: 燐青銅 (t=0.15)
 NAIL: PHOSPHOR BRONZE (t=0.15)
 2.めっき仕様 PLATING
 ターミナル TERMINAL
 接点部: 金めっき 0.1μm以上
 CONTACT AREA: GOLD 0.1 MICROMETER MINIMUM
 半田付け部: 金めっき
 SOLDER TAIL AREA: GOLD
 下地めっき: ニッケル 1.0μm以上
 UNDER PLATING: NICKEL 1.0 MICROMETER MINIMUM
 金具 NAIL
 銅めっき 1.0μm以上
 TIN PLATING 1.0 MICROMETER MINIMUM
 下地めっき: ニッケル 1.0μm以上
 UNDER PLATING: NICKEL 1.0 MICROMETER MINIMUM
 3.平坦度は、0.1ミリ以下とする。
 TAILS COPLANARITY TO BE 0.1 MAXIMUM.
 4.製品の取り扱いについては、コネクタ取り扱い説明書 (AS-502598-001) を参照願います。
 PLEASE REFER TO INSTRUCTION MANUAL (AS-502598-001) FOR 0.3 FPC CONNECTOR BACK FLIP.
 5.ELV及びRoHS適合品
 ELV AND RoHS COMPLIANT

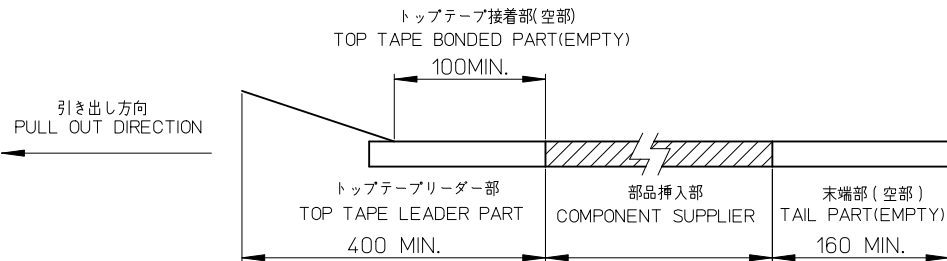
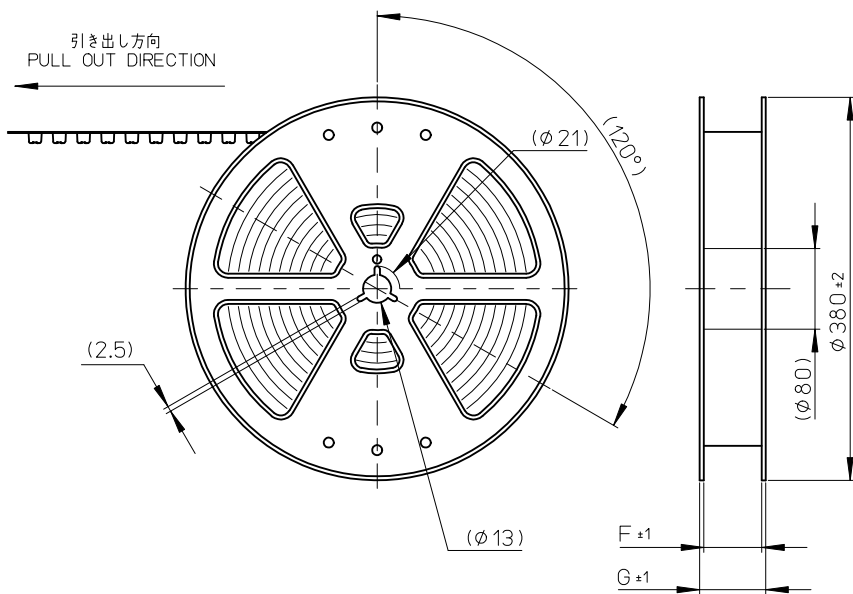
| | | | | | | |
|---------------------|------|-------|------|------|--------------------------------------|----------------|
| 0.125 | 14.4 | 16.95 | 15 | 17.4 | 502598-5191 | 51 |
| 0.112 | 12.6 | 15.15 | 13.2 | 15.6 | 502598-4591 | 45 |
| 0.098 | 10.8 | 13.35 | 11.4 | 13.8 | 502598-3991 | 39 |
| 0.085 | 9 | 11.55 | 9.6 | 12 | 502598-3391 | 33 |
| 0.077 | 7.8 | 10.35 | 8.4 | 10.8 | 502598-2991 | 29 |
| 0.072 | 7.2 | 9.75 | 7.8 | 10.2 | 502598-2791 | 27 |
| 0.068 | 6.6 | 9.15 | 7.2 | 9.6 | 502598-2591 | 25 |
| 0.063 | 6 | 8.55 | 6.6 | 9 | 502598-2391 | 23 |
| 重さ (g) WEIGHT(g) | D | C | B | A | EMBOSSED PACKAGE オーダー番号 ORDER NO. | 極数 CIRCUITS |

CONNECTOR SERIES NO. 502598-***11

| | | | | | | |
|---|--|-------|---|------------|--------------|---|
| REVISED EC NO: J2012-0121 DRWN: YUHASEGAWA 2011/07/25 CHKD: TAKAHASHI 2011/07/25 APPR: KMORIKAWA 2011/07/28 | GENERAL TOLERANCES (UNLESS SPECIFIED) | | DIMENSION STYLE | SCALE | DESIGN UNITS | THIRD ANGLE PROJECTION 0.3 FPC CONN. BACK FLIP HOUSING ASSY MOLEX INCORPORATED SD-502598-001 SHEET NO. 1 OF 2 |
| | 10 UNDER | ±0.2 | MM ONLY | 20:1 | METRIC | |
| | 10 OVER 30 UNDER | ±0.25 | DRAWN BY | DATE | TITLE | |
| | 30 OVER | ±0.3 | HONO | 2009/07/21 | | |
| DESCRIPTION REV C | ANGULAR | ±1 ° | CHECKED BY | DATE | | |
| | DRAFT WHERE APPLICABLE MUST REMAIN WITHIN DIMENSIONS | | HSHIMOYAMA | 2009/07/21 | | |
| | | | APPROVED BY | DATE | | |
| | | | KMORIKAWA | 2009/07/21 | | |
| | | | MATERIAL NO. | | DOCUMENT NO. | |
| | | | SEE TABLE | | | |
| | | | THIS DRAWING CONTAINS INFORMATION THAT IS PROPRIETARY TO MOLEX INCORPORATED AND SHOULD NOT BE USED WITHOUT WRITTEN PERMISSION | | | |

注記)
NOTES

1. 製品番号502598-**11の詳細寸法は、製品単体図面を参照下さい。
IN THE PACKAGE PART NUMBER 502598-**11 DETAIL DIMENSIONS, SEE SALES DRAWING FOR CONNECTOR.
2. 梱包数量: 3000個/リール
NUMBER OF CONNECTORS : 3000 PCS/REEL
3. リードテープ長さ
LEAD TAPE LENGTH



4. カバーテープの剥離強度については、IEC60286-3に準拠
COVER TAPE PEEL FORCE IS DEFINED BY IEC 60286-3.

5. 材料

MATERIAL

キャリアテープ: ポリスチレン (PS)
CARRIER TAPE: POLYSTYRENE (PS)
トップテープ: ポリエチレンテレフタレート (PET)、他
TOP TAPE: POLYETHYLENE TEREPHTHALATE (PET), OTHERS
リール: ポリスチレン (PS)
REEL: POLYSTYRENE (PS)

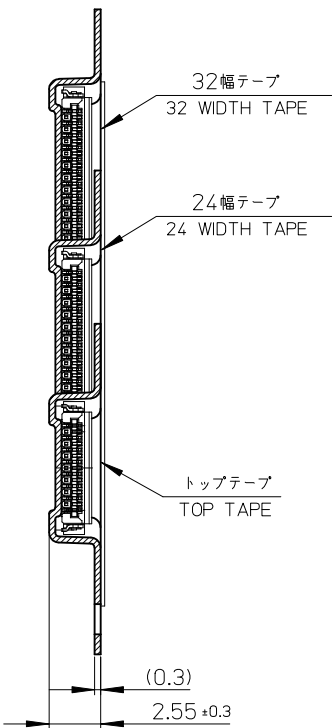
6. ELV及びRoHS適合品

ELV AND RoHS COMPLIANT

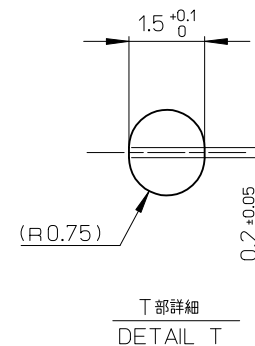
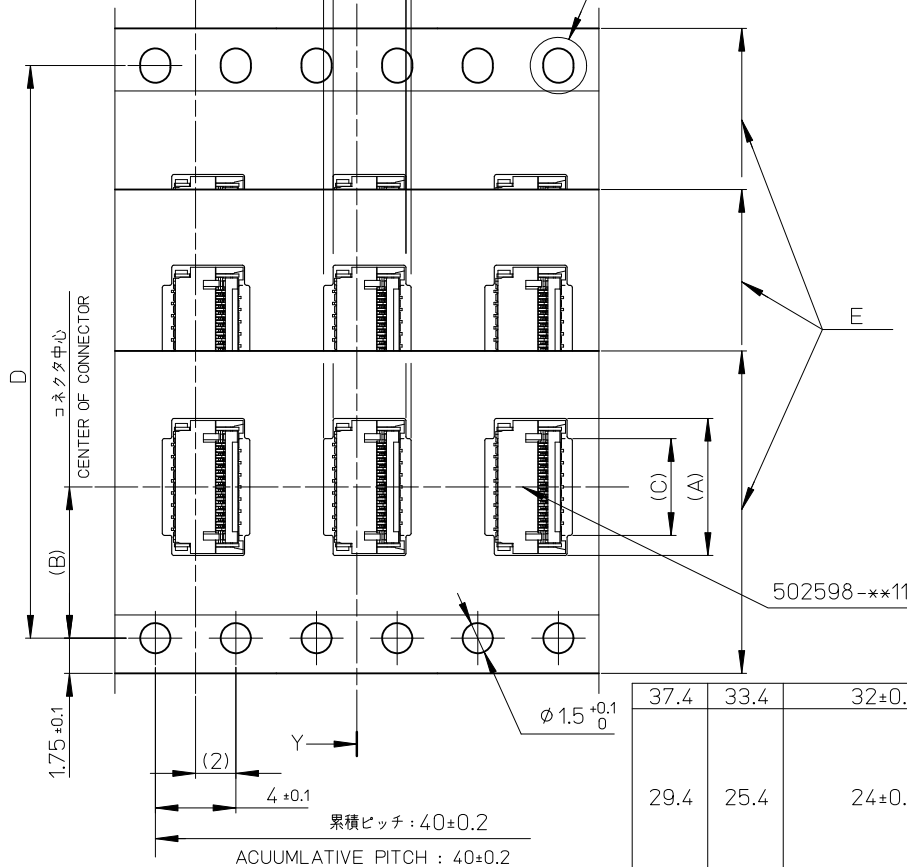
| | | | | | | | | |
|---|---------------------------------------|---|----------------------------|--------------------|--|------------------------|------------------------|--|
| REVISED EC NO: J2011-0028 DRWN: HONO01 2010/07/06 CHK'D: HSHIMOYAMA 2009/07/21 APPR: KMORIKAWA 2010/07/08 | GENERAL TOLERANCES (UNLESS SPECIFIED) | | DIMENSION STYLE MM ONLY | | SCALE --- | DESIGN UNITS METRIC | THIRD ANGLE PROJECTION | |
| | 10 UNDER | ± --- | DRAWN BY HONO | DATE 2009/07/21 | TITLE 0.3 FPC CONN. BACK FLIP TAPING PACKAGE (502598-**11 SERIES) | | | |
| | 10 OVER 30 UNDER | ± --- | CHECKED BY HSHIMOYAMA | DATE 2009/07/21 | | | | |
| | 30 OVER | ± --- | APPROVED BY KMORIKAWA | DATE 2009/07/21 | MOLEX INCORPORATED | | | |
| ANGULAR ±1 ° | | MATERIAL NO. | | DOCUMENT NO. | | | | |
| DRAFT WHERE APPLICABLE MUST REMAIN WITHIN DIMENSIONS | | SEE TABLE | | SD-502598-002 | | 1 OF 2 | | |
| | | THIS DRAWING CONTAINS INFORMATION THAT IS PROPRIETARY TO MOLEX INCORPORATED AND SHOULD NOT BE USED WITHOUT WRITTEN PERMISSION | | | | | | |

引き出し方向
PULL OUT DIRECTION

Y
8 ±0.1
(PITCH)
(4.34)
(3.61)
(2.43)



断面 Y-Y
SECTION Y-Y



T部詳細
DETAIL T

| | | | | | | | | |
|------|------|----------------------------------|------|------|------|------|----------------------|----------------|
| 37.4 | 33.4 | 32±0.3 | 28.4 | 15.7 | 14.2 | 17.6 | 502598-5191 | 51 |
| 29.4 | 25.4 | 24±0.3 | -- | 13.9 | 11.5 | 15.8 | 502598-4591 | 45 |
| | | | | 12.1 | | 14 | 502598-3991 | 39 |
| | | | | 10.3 | | 12.2 | 502598-3391 | 33 |
| | | | | 9.1 | | 11 | 502598-2991 | 29 |
| | | | | 8.5 | | 10.4 | 502598-2791 | 27 |
| | | | | 7.9 | | 9.8 | 502598-2591 | 25 |
| | | | | 7.3 | | 9.2 | 502598-2391 | 23 |
| G | F | E キャリアテープ幅 EMBOSSD TAPE WIDTH | D | C | B | A | 製品番号 MATERIAL NO. | 極数 CIRCUITS |

| | | | | | | | | |
|---|---------------------------------------|--------------|----------------------------|--------------------|---|------------------------|------------------------|--|
| REVISED EC NO: J2011-0028 DRWN:HONO01 2010/07/06 CHKD:HSHIMOYAMA 2009/07/21 APPR:KMORIKAWA 2010/07/08 | GENERAL TOLERANCES (UNLESS SPECIFIED) | | DIMENSION STYLE MM ONLY | | SCALE --- | DESIGN UNITS METRIC | THIRD ANGLE PROJECTION | |
| | 10 UNDER | ± --- | DRAWN BY HONO | DATE 2009/07/21 | TITLE 0.3 FPC CONN. BACK FLIP TAPING PACKAGE (502598-**11 SERIES) | | | |
| | 10 OVER 30 UNDER | ± --- | CHECKED BY HSHIMOYAMA | DATE 2009/07/21 | MOLEX INCORPORATED | | | |
| | 30 OVER | ± --- | APPROVED BY KMORIKAWA | DATE 2009/07/21 | DOCUMENT NO. SD-502598-002 | | SHEET NO. 2 OF 2 | |
| REV | DESCRIPTION | ANGULAR ±1 ° | SEE TABLE | | THIS DRAWING CONTAINS INFORMATION THAT IS PROPRIETARY TO MOLEX INCORPORATED AND SHOULD NOT BE USED WITHOUT WRITTEN PERMISSION | | | |
| DRAFT WHERE APPLICABLE MUST REMAIN WITHIN DIMENSIONS | | | | | | | | |