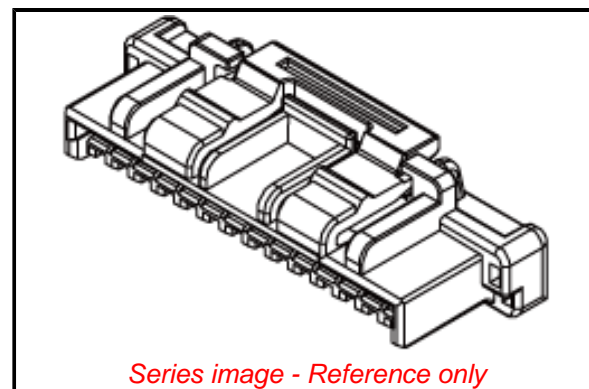


PLEASE CHECK WWW.MOLEX.COM FOR LATEST PART INFORMATION

Part Number: **5025781000**
Status: **Active**
Overview: CLIK-Mate™ Wire-to-Board Connectors
Description: CLIK-Mate™ Wire-to-Board Housing, Single Row, Positive Lock, 10 Circuits

Documents:

3D Model	Application Specification AS-502578-001-001 (PDF)
Drawing (PDF)	Application Specification AS-502578-002-001 (PDF)
Product Specification PS-502584-001-001 (PDF)	Application Specification AS-503395-001-001 (PDF)
Product Specification PS-503159-001-001 (PDF)	Packaging Specification SPK-502578-001-001 (PDF)
Product Specification PS-503395-001-001 (PDF)	RoHS Certificate of Compliance (PDF)



Agency Certification

UL E29179

General

Product Family	Crimp Housings
Series	<u>502578</u>
Application	Signal, Wire-to-Board
Overview	<u>CLIK-Mate™ Wire-to-Board Connectors</u>
Product Name	CLIK-Mate™
UPC	800756700724

Physical

Circuits (maximum)	10
Color - Resin	Beige
Flammability	SC-0
Gender	Plug
Glow-Wire Compliant	No
Keying to Mating Part	Yes
Lock to Mating Part	Yes
Net Weight	474.500/mg
Number of Rows	1
Packaging Type	Bag
Panel Mount	No
Pitch - Mating Interface	1.50mm
Polarized to Mating Part	Yes
Stackable	No
Temperature Range - Operating	-40°C to +105°C

Electrical

Current - Maximum per Contact 2.0A

Material Info

Reference - Drawing Numbers

Application Specification	AS-502578-001-001, AS-502578-002-001, AS-503395-001-001
Packaging Specification	SPK-502578-001-001
Product Specification	PS-502584-001-001, PS-503159-001-001, PS-503395-001-001
Sales Drawing	SD-502578-001

EU ELV

Not Relevant

EU RoHS

Compliant

REACH SVHC

Not Contained Per - ED/30/2017 (7 July 2017)

Halogen-Free

Status

Not Low-Halogen

Need more information on product environmental compliance?

Email productcompliance@molex.com
Please visit the [Contact Us](#) section for any non-product compliance questions.

China ROHS	Green Image
ELV	Not Relevant
RoHS Phthalates	Not Contained

Search Parts in this Series

502578 Series

Mates With

503395 Bottom-Entry Receptacle . 503175 Right Angle, Through Hole Receptacle . 502585 Right Angle, Surface Mount Receptacle
 503159 Vertical, Through Hole Receptacle
 502584 , 505405 Vertical, Surface Mount Receptacle

Use With

502579 Crimp Terminal for 24-28 AWG . 503429 Crimp Terminal for 26-30 AWG