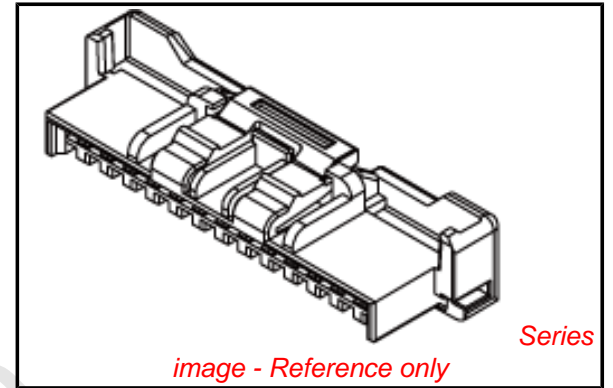


**PLEASE CHECK WWW.MOLEX.COM FOR LATEST PART INFORMATION**

**Part Number:** **502439-0400**  
**Status:** **Active**  
**Overview:** CLIK-Mate™ Wire-to-Board Connectors  
**Description:** 2.00mm Pitch CLIK-Mate™ Wire-to-Board Housing, Single Row, Positive Lock, 4 Circuits



**Documents:**

[3D Model](#)  
[Drawing \(PDF\)](#)  
[Product Specification PS-502443-001 \(PDF\)](#)  
[Application Specification AS-502439-001 \(PDF\)](#)  
[Application Specification AS-502439-002 \(PDF\)](#)  
[Packaging Specification SPK-502439-001 \(PDF\)](#)  
[RoHS Certificate of Compliance \(PDF\)](#)

**General**

Product Family	Crimp Housings
Series	502439
Application	Signal, Wire-to-Board
MolexKits	Yes
Overview	<a href="#">CLIK-Mate™ Wire-to-Board Connectors</a>
Product Name	CLIK-Mate™
UPC	822350915823

**Physical**

Breakaway	No
Circuits (maximum)	4
Color - Resin	White
Gender	Plug
Glow-Wire Compliant	No
Keying to Mating Part	Yes
Lock to Mating Part	Yes
Net Weight	397.000/mg
Number of Rows	1
Packaging Type	Bag
Panel Mount	No
Pitch - Mating Interface	2.00mm
Polarized to Mating Part	Yes
Stackable	No
Temperature Range - Operating	-25°C to +85°C

**Material Info**

**Reference - Drawing Numbers**

Application Specification	AS-502439-001, AS-502439-002
Packaging Specification	SPK-502439-001
Product Specification	PS-502443-001, RPS-502443-001, RPS-502443-002, RPS-502443-007, RPS-502443-008, RPS-502443-009, RPS-502494-001, RPS-502494-003
Sales Drawing	SD-502439-002

**EU RoHS**

**ELV and RoHS Compliant**  
**REACH SVHC Contains SVHC: No**  
**Low-Halogen Status Not Low-Halogen**

**China RoHS**



**Need more information on product environmental compliance?**

Email [productcompliance@molex.com](mailto:productcompliance@molex.com)  
 For a multiple part number RoHS Certificate of Compliance, [click here](#)

Please visit the [Contact Us](#) section for any non-product compliance questions.

**Search Parts in this Series**

502439Series

**Mates With**

502443 PCB Receptacle Vertical . 502494 PCB Receptacle Right Angle

**Use With**

502438 Crimp Terminal