

**PLEASE CHECK WWW.MOLEX.COM FOR LATEST PART INFORMATION**

**Part Number:** [5022504191](#)  
**Status:** **Active**  
**Description:** 0.30mm (.012") Pitch Easy-On™ BackFlip™ FPC Connector, Right Angle, SMT, Dual Contact Style, 0.90mm (.035") Mated Height, 41 Circuits

**Documents:**

[3D Model](#) [Product Specification PS-502250-001 \(PDF\)](#)  
[Drawing \(PDF\)](#) [RoHS Certificate of Compliance \(PDF\)](#)

**General**

Product Family FFC/FPC Connectors  
 Series [502250](#)  
 Product Name BackFlip™, Easy-On™

**Physical**

Circuits (Loaded) 41  
 Color - Resin Black, Natural  
 Contact Position Dual  
 Durability (mating cycles max) 10  
 Entry Angle 90° Angle  
 Mated Height 0.90mm (.035")  
 Material - Metal Copper-Nickel-Tin  
 Material - Plating Mating Gold  
 Material - Plating Termination Gold  
 Number of Rows 1  
 Orientation Right Angle  
 PCB Locator No  
 PCB Retention Yes  
 Packaging Type Embossed Tape on Reel  
 Pitch - Mating Interface 0.30mm (.012")  
 Polarized to PCB Yes  
 Stackable No  
 Temperature Range - Operating -25°C to +85°C  
 Termination Interface: Style Surface Mount  
 Wire/Cable Type FPC only

**Electrical**

Current - Maximum per Contact 0.2A  
 Voltage - Maximum 50V AC (RMS)/DC

**Material Info**

**Reference - Drawing Numbers**

Packaging Specification SPK-502250-001  
 Product Specification PS-502250-001, RPS-502250-001, RPS-502250-005, RPS-502250-007  
 Sales Drawing SD-502250-003, SD-502250-004

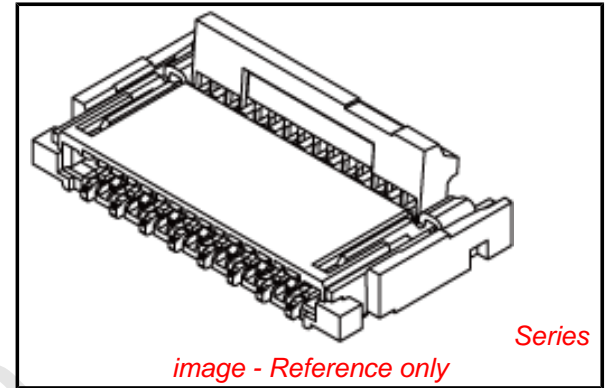


image - Reference only

**EU RoHS**

**ELV and RoHS Compliant**  
**REACH SVHC Contains SVHC: No**  
**Low-Halogen Status Not Low-Halogen**

**China RoHS**



**Need more information on product environmental compliance?**

Email [productcompliance@molex.com](mailto:productcompliance@molex.com)  
 For a multiple part number RoHS Certificate of Compliance, [click here](#)

Please visit the [Contact Us](#) section for any non-product compliance questions.

**Search Parts in this Series**

[502250Series](#)