

**PLEASE CHECK WWW.MOLEX.COM FOR LATEST PART INFORMATION**

**Part Number:** **5022503991**  
**Status:** **Active**  
**Overview:** FFC-FPC (SMT)  
**Description:** 0.30mm Pitch Easy-On™ BackFlip™ Type FPC Connector, Right Angle, Surface Mount, Dual Contact Style, 0.90mm Mated Height, 39 Circuits

**Documents:**

[3D Model](#) [Packaging Specification SPK-502250-001-001 \(PDF\)](#)  
[Drawing \(PDF\)](#) [RoHS Certificate of Compliance \(PDF\)](#)  
[Product Specification PS-502250-001-001 \(PDF\)](#)

**General**

Product Family FFC/FPC Connectors  
Series [502250](#)  
Overview FFC-FPC (SMT)  
Product Name Easy-On™  
UPC 800756810195

**Physical**

Circuits (Loaded) 39  
Color - Resin Black, Natural  
Contact Position Dual  
Durability (mating cycles max) 10  
Entry Angle 90° Angle  
Mated Height 0.90mm  
Material - Metal Copper-Nickel-Tin  
Material - Plating Mating Gold  
Material - Plating Termination Gold  
Net Weight 89.814/mg  
Number of Rows 1  
Orientation Right Angle  
PCB Locator No  
PCB Retention Yes  
Packaging Type Embossed Tape on Reel  
Pitch - Mating Interface 0.30mm  
Polarized to PCB Yes  
Stackable No  
Temperature Range - Operating -40°C to +105°C  
Termination Interface: Style Surface Mount  
Wire/Cable Type FPC only

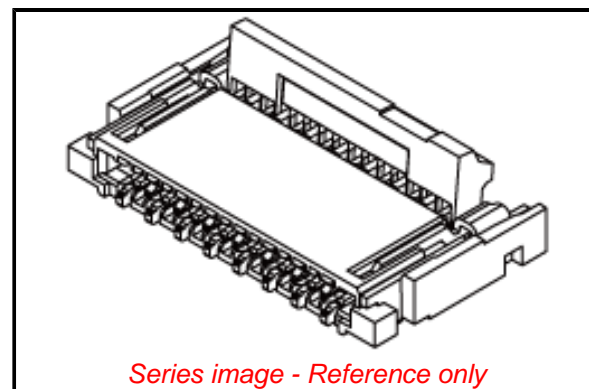
**Electrical**

Current - Maximum per Contact 0.2A  
Voltage - Maximum 50V AC (RMS)/DC

**Material Info**

**Reference - Drawing Numbers**

Packaging Specification SPK-502250-001-001  
Product Specification PS-502250-001-001  
Sales Drawing 5022500000-000, 5022501000-000



Series image - Reference only

**EU ELV**

**Not Relevant**

**EU RoHS**

**Compliant**

**REACH SVHC**

Not Contained Per -  
ED/30/2017 (7 July  
2017)

**Halogen-Free**

**Status**

**Not Low-Halogen**

**Need more information on product environmental compliance?**

Email [productcompliance@molex.com](mailto:productcompliance@molex.com)  
Please visit the [Contact Us](#) section for any non-product compliance questions.

China ROHS

ELV

RoHS Phthalates

Green Image

Not Relevant

Not Contained

**Search Parts in this Series**

[502250](#) Series