

Features

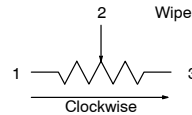
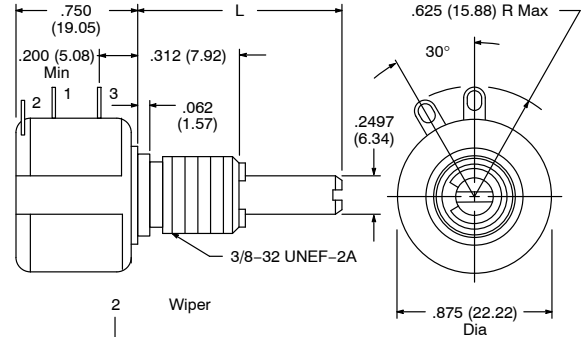
- Permanickel contact
- Stainless steel 1/4" diameter shaft
- Gold plated terminals
- Internal tracking surfaces gold plated
- Precision winding with excellent linearity



Spectrol 533 Series

Potentiometer – 1 Watt, 7/8" round case, 1/4" dia. shaft, 3 turn, precision wirewound

P12



L = Shaft Length (See Table)

Spectrol No.	NTE Part No.	Value (Ohms)	Shaft Length	Diag No.
533-1-1-101	502-0130	100	7/8"	P12
533-1-1-201	502-0131	200	7/8"	P12
533-1-1-501	502-0132	500	7/8"	P12
533-1-1-102	502-0133	1K	7/8"	P12
533-1-1-202	502-0134	2K	7/8"	P12
533-1-1-502	502-0135	5K	7/8"	P12
533-1-1-103	502-0136	10K	7/8"	P12
533-1-1-203	502-0137	20K	7/8"	P12

Resistance Element Data

Resistance Value (Ohms)	Resolution (%)	Ohms per Turn	Max Current @ 70°C Ambient (mA)	Max Voltage Across Coil (Volts)
100	.111	.1114	100.00	10.0
200	.097	.1954	70.70	14.1
500	.069	.3424	44.70	22.4
1K	.063	.6331	31.60	31.6
2K	.041	.8206	22.40	44.7
5K	.044	2.2330	14.10	70.7
10K	.034	3.4510	10.00	100.0
20K	.031	6.1790	7.07	141.0

Specifications

Electrical

Resistance Range: 100 Ω to 20K Ω

Resistance Tolerance: ±5%

Linearity (independent): ±0.25%

Noise: 100 Ω ENR

Rotation: 1080° +10°, -0°

Power Rating: 1 Watt @ 70°C derated to 0 Watts @ 125°C

Insulation Resistance: 1000 Meg Ω min, 500VDC

Dielectric Strength: 1000V RMS min 50Hz

Absolute Minimum Resistance: Not to exceed linearity x total resistance or 1Ω, whichever is greater

Temperature Coefficient of Resistance: 20ppm/°C (wire only)

End Voltage: 0.25% of total applied voltage, max

Mechanical

Bearing Type Bushing: Sleeve bearing

Resistance Element: See Table

Rotation: 1080° +10°, -0°

Starting Torque (maximum): 50 gm-cms (0.7 oz in)

Stop Strength (static): 5.4 Kg-m-cm (75 oz in)

Rotation Life: 300,000 shaft revolutions

Environmental

Operating Temperature: -55°C to +125°C

Load Life: 900 hr.