

**PLEASE CHECK WWW.MOLEX.COM FOR LATEST PART INFORMATION**

**Part Number:** [5019530327](#)  
**Status:** **Active**  
**Overview:** Pico-Clasp Wire-to-Board Connectors  
**Description:** 1.00mm Pitch, Pico-Clasp PCB Header, Single Row, Right-Angle, Surface Mount, 0.10µm Gold Plated, Outer Positive Lock, 3 Circuits, Red

**Documents:**

<a href="#">Drawing (PDF)</a>	<a href="#">Application Specification 5013300000-AS-000 (PDF)</a>
<a href="#">Product Specification 5019401001-PS-001 (PDF)</a>	<a href="#">Packaging Specification SPK-501953-002-001 (PDF)</a>
<a href="#">Product Specification PS-501940-001-001 (PDF)</a>	<a href="#">RoHS Certificate of Compliance (PDF)</a>

**Agency Certification**

UL E29179

**General**

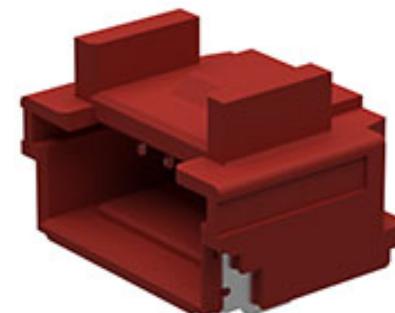
Product Family	PCB Headers
Series	<a href="#">501953</a>
Application	Signal, Wire-to-Board
Overview	<a href="#">Pico-Clasp Wire-to-Board Connectors</a>
Product Name	Pico-Clasp
UPC	800756912271

**Physical**

Breakaway	No
Circuits (Loaded)	3
Circuits (maximum)	3
Color - Resin	Red
Durability (mating cycles max)	30
First Mate / Last Break	No
Glow-Wire Capable	No
Guide to Mating Part	No
Keying to Mating Part	None
Lock to Mating Part	Yes
Mated Height	4.75mm
Material - Metal	Phosphor Bronze
Material - Plating Mating	Gold
Material - Plating Termination	Gold
Material - Resin	Nylon
Net Weight	111.040/mg
Number of Rows	1
Orientation	Right Angle
PCB Locator	No
PCB Retention	Yes
Packaging Type	Embossed Tape on Reel
Pitch - Mating Interface	1.00mm
Plating min - Mating	0.102µm
Plating min - Termination	0.051µm
Polarized to Mating Part	Yes
Polarized to PCB	No
Shrouded	Fully
Stackable	No
Temperature Range - Operating	-40° to +105°C
Termination Interface: Style	Surface Mount

**Electrical**

Current - Maximum per Contact	1.5A
Voltage - Maximum	100V AC (RMS)/DC



Series image - Reference only

**EU ELV**

**Not Relevant**

**EU RoHS**

**Compliant**

**REACH SVHC**

Not Contained Per -  
D(2020)9139-DC (19  
Jan 2021)

**Halogen-Free**

**Status**

**Not Low-Halogen**

For more information, please visit [Contact US](#)

China ROHS

ELV

RoHS Phthalates

**China RoHS**

Green Image

Not Relevant

Not Contained

**Search Parts in this Series**

[501953 Series](#)

**Mates With**

[Pico-Clasp Female Housing 501939](#)

**Material Info**

**Reference - Drawing Numbers**

Application Specification	5013300000-AS-000
Packaging Specification	SPK-501953-002-001
Product Specification	5019401001-PS-001, PS-501940-001-001
Sales Drawing	SD-501953-001-001, SD-501953-001-002, SD-501953-002-001, SD-501953-002-002, SD-501953-002-003, SD-501953-003-001, SD-501953-003-002, SD-501953-004-001, SD-501953-004-002, SD-501953-004-003

This document was generated on 04/13/2021

**PLEASE CHECK [WWW.MOLEX.COM](http://WWW.MOLEX.COM) FOR LATEST PART INFORMATION**