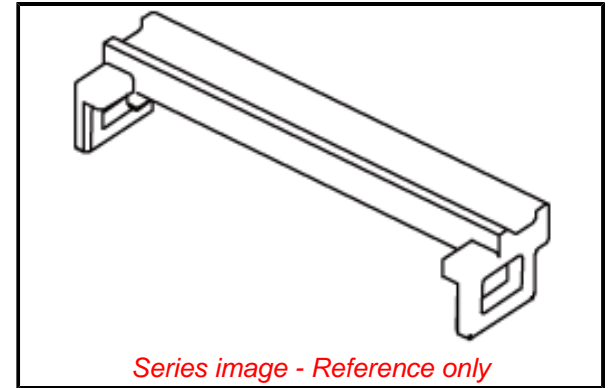


**PLEASE CHECK WWW.MOLEX.COM FOR LATEST PART INFORMATION**

**Part Number:** [5017845009](#)  
**Status:** **Active**  
**Description:** 0.50mm Pitch FFC-to-Board Plug Jacket Cover, 50 Circuits

**Documents:**

|   |  |
|---|--|
| <a href="#">3D Model</a>                                      | <a href="#">Product Specification PS-501864-002-001 (PDF)</a>    |
| <a href="#">Drawing (PDF)</a>                                 | <a href="#">Application Specification 5017832000-A00 (PDF)</a>   |
| <a href="#">Product Specification PS-501786-001-001 (PDF)</a> | <a href="#">Packaging Specification SPK-501784-001-001 (PDF)</a> |
| <a href="#">Product Specification PS-501786-002-001 (PDF)</a> | <a href="#">RoHS Certificate of Compliance (PDF)</a>             |
| <a href="#">Product Specification PS-501864-001-001 (PDF)</a> |  |



**Agency Certification**

UL E29179

**General**

|                |  |
|----------------|--|
| Product Family | Accessories  |
| Series         | <a href="#">501784</a>   |
| Comments       | Requires a custom FFC with notches, Requires a custom FFC with notches |
| Component Type | Jacket Cover   |
| Product Name   | Easy-On  |
| UPC            | 822350232135   |

**Physical**

|                               |                |
|-------------------------------|----------------|
| Breakaway                     | No             |
| Circuits (Loaded)             | 50             |
| Circuits (maximum)            | 50             |
| Color - Resin                 | Black          |
| Flammability                  | 94V-0          |
| Gender                        | Plug           |
| Material - Resin              | Polyester      |
| Net Weight                    | 162.100/mg     |
| Packaging Type                | Bag            |
| Polarized to Mating Part      | Yes            |
| Temperature Range - Operating | -40° to +105°C |

**Material Info**

**Reference - Drawing Numbers**

|                           |   |
|---------------------------|---|
| Application Specification | 5017832000-A00  |
| Packaging Specification   | SPK-501784-001-001  |
| Product Specification     | PS-501786-001-001, PS-501786-002-001,<br>PS-501864-001-001, PS-501864-002-001 |
| Sales Drawing             | SD-501784-001   |

**EU ELV**

**Not Relevant**

**EU RoHS**

**Compliant**

**REACH SVHC**

Not Contained Per  
-ED/88/2018 (15  
January 2019)

**Halogen-Free**

**Status**

**Not Low-Halogen**

For more information, please visit [Contact US](#)

China ROHS

ELV

RoHS Phthalates

**China RoHS**

Green Image

Not Relevant

Not Contained

**Search Parts in this Series**

[501784](#) Series

**Use With**

[501786](#) FFC-to-Board Connector, [501864](#)  
FFC-to-Board Connector, [501783](#) Plug  
Jacket