

PLEASE CHECK WWW.MOLEX.COM FOR LATEST PART INFORMATION

Part Number: **5016481000**
Status: **Active**
Overview: iGrid™ Wire-to-Board Dual-Row System
Description: 2.00mm Pitch iGrid™ Wire-to-Board Crimp Terminal, Female, 26-28 AWG, Reel

Documents:

3D Model	Application Specification 5016460000-A00 (PDF)
Drawing (PDF)	Application Specification 5016460000-A01 (PDF)
Product Specification PS-501646-001-001 (PDF)	RoHS Certificate of Compliance (PDF)

General

Product Family	Crimp Terminals
Series	501648
Application	Signal
Crimp Quality Equipment	Yes
Overview	iGrid™ Wire-to-Board Dual-Row System
Product Name	iGrid™
UPC	822350357470

Physical

Durability (mating cycles max)	30
Gender	Female
Material - Metal	Copper Alloy
Material - Plating Mating	Tin
Net Weight	76.000/mg
Packaging Type	Reel
Termination Interface: Style	Crimp or Compression
Wire Insulation Diameter	0.85-1.40mm
Wire Size AWG	26, 28
Wire Size mm²	0.079-0.136

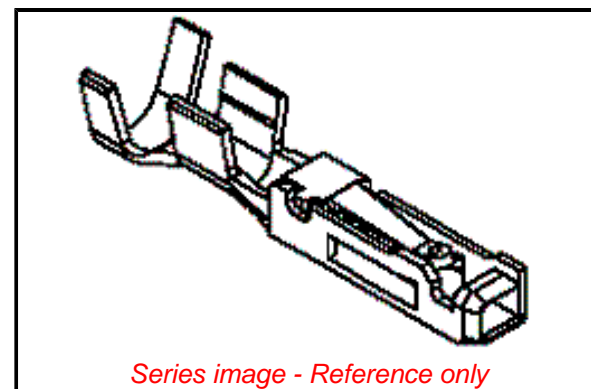
Electrical

Current - Maximum per Contact	1.5A
Voltage - Maximum	250V AC (RMS)/DC

Material Info

Reference - Drawing Numbers

Application Specification	5016460000-A00, 5016460000-A01
Crimp Specification	CS-501648-001-001
Product Specification	PS-501646-001-001
Sales Drawing	SD-501648-001



EU ELV

Compliant

EU RoHS

Compliant

REACH SVHC

Not Contained Per -
ED/30/2017 (7 July
2017)

Halogen-Free

Status

Low-Halogen

Need more information on product environmental compliance?

Email productcompliance@molex.com
Please visit the [Contact Us](#) section for any non-product compliance questions.

China ROHS	Green Image
ELV	Compliant
RoHS Phthalates	Not Contained

Search Parts in this Series

[501648](#) Series

Mates With

[501645](#) Vertical Header . [501676](#) Right Angle Header

Use With

[501646](#) Receptacle Housing