

5015

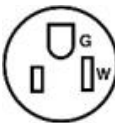
Single Receptacle Outlet, Commercial Specification Grade, Smooth Face, 15 Amp, 125 Volt, Side Wire, NEMA 5-15R, 2-Pole, 3-Wire, Grounding - Brown



Color :  Brown

UPC Code : 078477205808

Country Of Origin : Mexico

NEMA :  5-15R

Available Colors :



Ivory



Light Almond



White

Technical Information

AC Horsepower Ratings

At Rated Voltage : 1/2 HP

Electrical Specifications

Amperage : 15 A

Current Limiting : Full Rated Current

Dielectric Voltage : Withstands 2000V per UL498

Grounding : Grounding

Pole : 2

Temperature Rise : Max 30C after 100 cycles OL at 150 percent rated current

Voltage : 125 VAC

Wire : 3

Environmental Specifications

Flammability : Rated V-2 per UL 94

Operating Temperature : -40°C to 60°C

Material Specifications

Body Material : Nylon

Color : Brown

Face Material : Nylon

Grounding Screw : Brass 8-32

Line Contacts : Brass Double Wipe .031 Thick

Strap Material : Zinc-Plated Steel

Terminal Screws : Brass 8-32

Mechanical Specifications

Product ID : Ratings are permanently marked on device

Terminal Accom. : 14-10 AWG

Terminal ID : Brass-Hot, Green-Ground, Silver-Neutral

Termination : Side Wire

Product Features

Color : Brown

Device Type : Single Receptacle Outlet

Feature 4 : Smooth Face

Grade : Commercial Specification Grade

NEMA : 5-15R

Standards and Certifications

ANSI : C-73

CSA C22.2 No. 42 : File 152105

NEMA : WD-2 WD-6

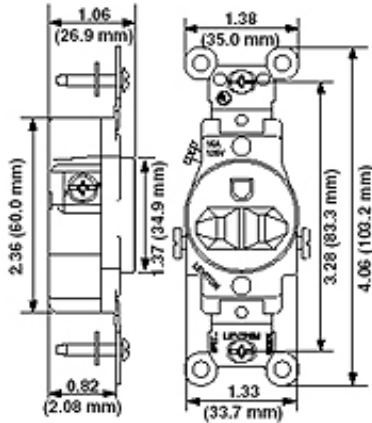
NOM : 057

UL Fed Spec WC-596 : File E13399

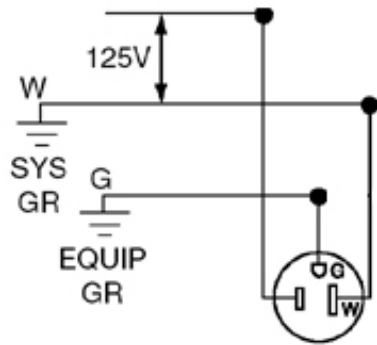
UL498 : File E13399

Warranty : 10-Year Limited

Dimensional Diagram



Wiring Diagram



5-15R

SPECIFICATION SUBMITTAL

JOB NAME: <input style="width: 95%;" type="text"/>	CATALOG NUMBERS: <input style="width: 95%;" type="text"/>
JOB NUMBER: <input style="width: 95%;" type="text"/>	<input style="width: 95%;" type="text"/>

Leviton Manufacturing Co., Inc.

201 North Service Road, Melville, NY 11747

Telephone: +1-800-323-8920 · FAX: +1-800-832-9538 · Tech Line (8:30AM-7:30PM E.S.T. Monday-Friday):

+1-800-824-3005

Leviton Manufacturing of Canada, Ltd.

165 Hymus Boulevard, Pointe Claire, Quebec H9R 1E9 · Telephone: +1-800-469-7890 ·

FAX: +1-800-824-3005 · www.leviton.com/canada

Leviton S. de R.L. de C.V.

Lago Tana 43, Mexico DF, Mexico CP 11290 · Tel.: (+52)55-5082-1040 · FAX: (+52)5386-

1797 · www.leviton.com.mx

Visit our Website at: www.leviton.com

© 2018 Leviton Manufacturing Co., Inc. All Rights Reserved. Subject to change without notice.

Leviton has a global presence.

If you would like to know where your local Leviton office is located please go to:

www.leviton.com/international/contacts/

