

10 9 8 7 6 5 4 3 2 1

F

E

D

C

B

A

F

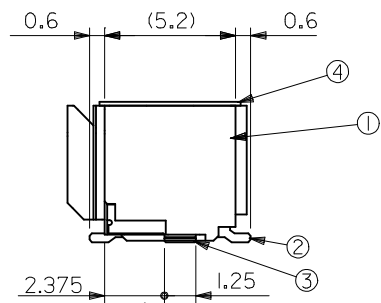
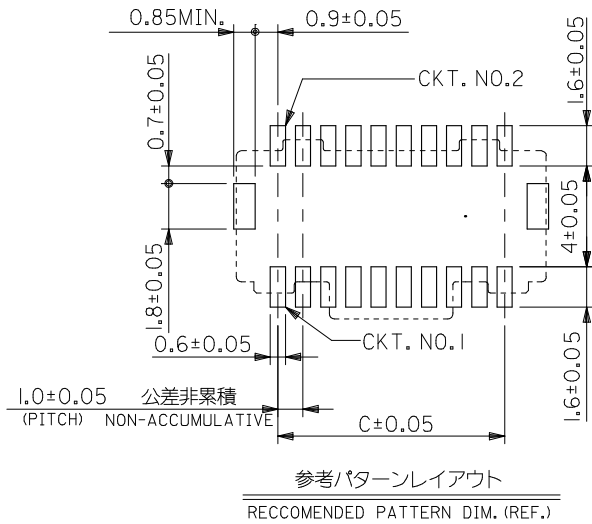
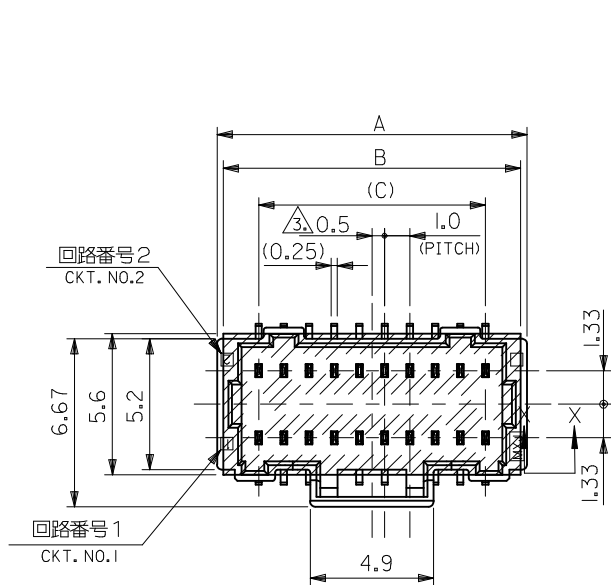
E

D

C

B

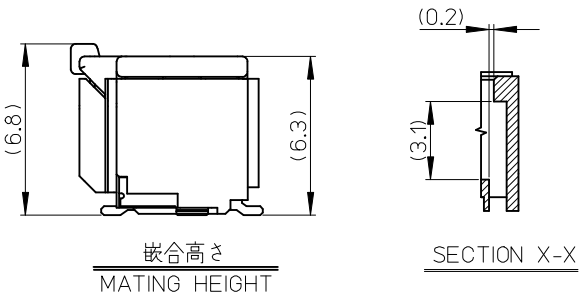
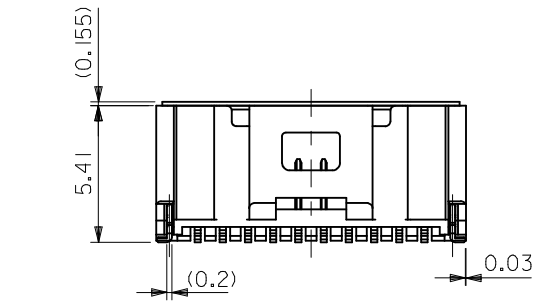
A



| 番号 NO. | 部品 PART | 材質 MATERIAL |
|-----------|----------------------|---|
| ① | ウエハー WAFER | 耐熱ナイロン, UL94V-0, 色: シート2参照 HEAT RESISTANCE NYLON, UL94V-0, COLOR: SEE SHEET 2 |
| ② | ソルダーピン SOLDER PIN | りん青銅 PHOSPHOR BRONZE 金メッキ: 0.1 μ mMIN. GOLD ニッケルメッキ(下地): 1.0 μ mMIN. NICKEL(UNDER PLATING) |
| ③ | ネイル NAIL | りん青銅 PHOSPHOR BRONZE 錫メッキ: 1.0 μ mMIN. TIN ニッケルメッキ(下地): 1.0 μ mMIN. NICKEL(UNDER PLATING) |
| ④ | カバーテープ COVER TAPE | ポリイミドテープ POLYIMIDE TAPE |

- NOTES.
- 嵌合相手: 501189-****
MATE WITH: 501189-****
 - ソルダーピン及びネイル平坦度は、0.1MAX.
SOLDER PIN AND NAIL COPLANARITY TO BE 0.1MAX.
 - 極数/2=偶数に適用
APPLY FOR CKT SIZE/2=EVEN
 - ELV 及び RoHS 適合品
ELV AND ROHS COMPLIANT.

| 無 NO | 24 | 26.8 | 27.3 | 501190-5029 | 501190-5017 | 501190-5019 | 50 |
|-------------------------|------|------|------------------|---------------------|-------------|-------------|-------------|
| | | | | 19 | 22.3 | 501190-4027 | 501190-4017 |
| 有 YES | 14 | 17.3 | 501190-3027 | 501190-3017 | 501190-3019 | 30 | |
| | 9 | 12.3 | 501190-2027 | 501190-2017 | 501190-2019 | 20 | |
| | 24 | 26.8 | 27.3 | 501190-5029 | 501190-5017 | 501190-5019 | 50 |
| | | | | 501190-4017 | 501190-4019 | 40 | |
| 19 | 21.8 | 22.3 | 501190-405* | 501190-407* | 30 | | |
| | | | 501190-3017 | 501190-3019 | 30 | | |
| 14 | 16.8 | 17.3 | 501190-305* | 501190-307* | 20 | | |
| | | | 501190-2017 | 501190-2019 | 20 | | |
| 9 | 11.8 | 12.3 | 501190-205* | 501190-207* | 20 | | |
| | | | EMBOSSED PACKAGE | CONNECTOR | CT | | |
| カバーテープの有無 COVER TAPE | C | B | A | オーダー番号 ORDER NO. | SERIES NO. | CT | |



| | | | | | | |
|---|--|---------------|--|--------------------|--|---------------------------|
| REVISED EC NO: J2014-1175 DRWNR:HORI 2013/11/22 CHKD:KASAKAWA 2013/11/25 APPR:NIKI ITA 2014/01/28 | GENERAL TOLERANCES (UNLESS SPECIFIED) | | DIMENSION STYLE MM ONLY | SCALE 5:1 | DESIGN UNITS METRIC | THIRD ANGLE PROJECTION |
| | 10 UNDER | ± 0.2 | DRAWN BY NYOSHIDA | DATE 2004/12/17 | TITLE 1.0 WIRE TO BOARD CONN. WAFER ASS'Y (2-ROW S/T) -LEAD FREE- | |
| | 10 OVER 30 UNDER | ± 0.25 | CHECKED BY MYAGI | DATE 2004/12/17 | | |
| | 30 OVER | ± 0.3 | APPROVED BY ANODA | DATE 2004/12/17 | | |
| | ANGULAR | $\pm 3^\circ$ | MATERIAL NO. | SEE CHART | DOCUMENT NO. SD-501190-003 | SHEET NO. 1 OF 2 |
| DRAFT WHERE APPLICABLE MUST REMAIN WITHIN DIMENSIONS | | SIZE A3 | THIS DRAWING CONTAINS INFORMATION THAT IS PROPRIETARY TO MOLEX INCORPORATED AND SHOULD NOT BE USED WITHOUT WRITTEN PERMISSION | | | |

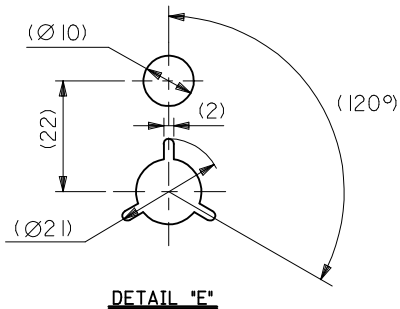
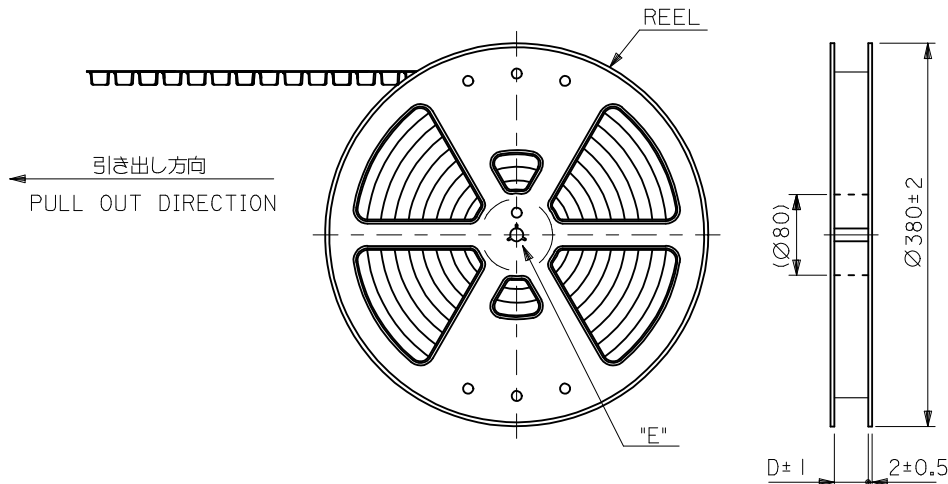
9 8 7 6 5 4 3 2

| 有 YES | 緑 GREEN | 青 BLUE | 赤 RED | 黒 BLACK | 色 COLOR | |
|-------------|---------------------------------------|-------------|-------------|------------|------------|----------------------|
| | --- | --- | --- | --- | --- | 50 |
| 501190-4056 | 501190-4054 | 501190-4052 | 501190-4051 | 40 | | |
| 501190-3056 | 501190-3054 | 501190-3052 | 501190-3051 | 30 | | |
| 501190-2056 | 501190-2054 | 501190-2052 | 501190-2051 | 20 | | |
| COVER TAPE | EMBOSSSED PACKAGE オーダー番号 ORDER NO. | | | | CKT. | CONNECTOR SERIES NO. |

| 無 NO | 自然色 NATURAL | 色 COLOR | |
|-------------|---------------------------------------|------------|----------------------|
| | 501190-5027 | 50 | 501190-**29 |
| | 501190-4027 | 40 | |
| | 501190-3027 | 30 | |
| 501190-2027 | 20 | | |
| COVER TAPE | EMBOSSSED PACKAGE オーダー番号 ORDER NO. | CKT. | CONNECTOR SERIES NO. |

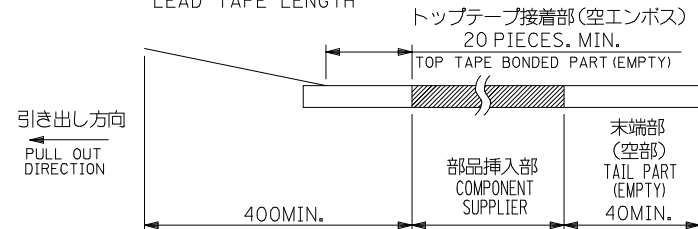
| 有 YES | 自然色 NATURAL | 色 COLOR | |
|-------------|---------------------------------------|------------|----------------------|
| | 501190-5017 | 50 | 501190-**19 |
| | 501190-4017 | 40 | |
| | 501190-3017 | 30 | |
| 501190-2017 | 20 | | |
| COVER TAPE | EMBOSSSED PACKAGE オーダー番号 ORDER NO. | CKT. | CONNECTOR SERIES NO. |

| | | | | | | | |
|---|---------------------------------------|---|----------------------------|--------------------|--|------------------------|------------------------|
| SEE SHEET 1 EC NO: J2014-1175 2013/11/22 DRWNR:HORI 2013/11/25 CHKD:KASAKAWA 2014/01/28 APPR:NUKITA | GENERAL TOLERANCES (UNLESS SPECIFIED) | | DIMENSION STYLE MM ONLY | | SCALE 5:1 | DESIGN UNITS METRIC | THIRD ANGLE PROJECTION |
| | 10 UNDER | ±0.2 | DRAWN BY NYOSHIDA | DATE 2004/12/17 | TITLE 1.0 WIRE TO BOARD CONN. WAFER ASS'Y (2-ROW S/T) -LEAD FREE- molex | | |
| | 10 OVER 30 UNDER | ±0.25 | CHECKED BY MYAGI | DATE 2004/12/17 | | | |
| | 30 OVER | ±0.3 | APPROVED BY ANODA | DATE 2004/12/17 | MATERIAL NO. | DOCUMENT NO. | SHEET NO. |
| | ANGULAR ±3 ° | | SEE CHART | | SD-501190-003 | 2 OF 2 | |
| DRAFT WHERE APPLICABLE MUST REMAIN WITHIN DIMENSIONS | | THIS DRAWING CONTAINS INFORMATION THAT IS PROPRIETARY TO MOLEX INCORPORATED AND SHOULD NOT BE USED WITHOUT WRITTEN PERMISSION | | | | | |

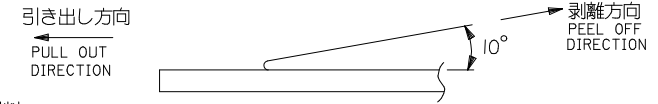


NOTES

- 製品詳細寸法については SD-501190-003 を参照ください。
RE DETAILED DIMENSION, SEE SD-501190-003
- 梱包数量：1100個/リール
NUMBER OF CONNECTORS：1100PIECES/REEL
- リードテープ長さ
LEAD TAPE LENGTH

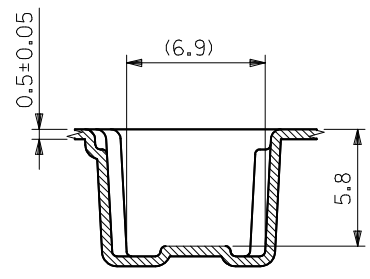
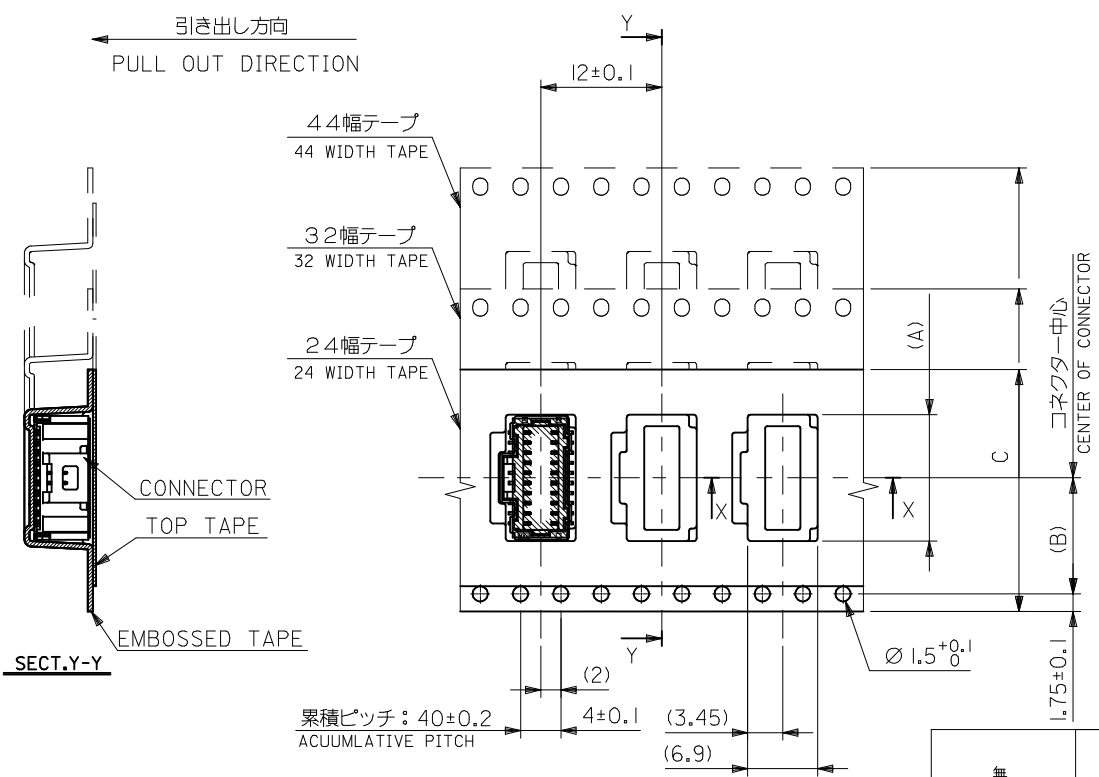


- トップテープの剥離強度：0.1~1.3N(10.2~132.5gf)(剥離方向は下図参照)
PEELING OFF FORCE OF TOP TAPE (PEELING DIRECTION AS SHOWN IN FOLLOWING FIGURE)
尚、本規格値は、出荷時に適用。(但し、輸送時に剥離が発生しないこと)
THIS REQUIREMENT SHOULD BE APPLIED AT SHIPMENT.
PEEL OFF SHOULD NOT BE ALLOWED, DURING TRANSPORTATION.



- 材料
MATERIAL
キャリアテープ：ポリプロピレン
CARRIER TAPE: POLYPROPYLENE
トップテープ：PET, PE, REF
TOP TAPE
リール：ポリスチレン (リサイクル材を含む)
REEL: POLYSTYRENE (RECYCLE MATERIAL CONTAINED)
- 乾燥剤入り防湿梱包仕様になります。(501190-***17, 501190-***27以外)
INCLUDING DESICCANT TAPING PACKAGE.
(BESIDES 501190-***17, 501190-***27)
- ELV 及び RoHS 適合品
ELV AND RoHS COMPLIANT.

| | | | | | | | | | | |
|---|------------------|--|-------|-----------------------------|--------------------|--|------------------------|------------------------|--|--|
| REVISED EC NO: J2013-1460 DRWN: KWASHIO 2013/06/12 CHKD: KASAKAWA 2013/06/12 APPR: NUKITA 2013/06/12 | DESCRIPTION D | GENERAL TOLERANCES (UNLESS SPECIFIED) | | DIMENSION STYLE MM ONLY | | SCALE --- | DESIGN UNITS METRIC | THIRD ANGLE PROJECTION | | |
| | | 10 UNDER | ±0.2 | DRAWN BY NYOSHIDA | DATE 2004/12/17 | TITLE 1.0 WIRE TO BOARD CONN. WAFER ASS'Y (2-ROW S/T) EMBTP PKG -LEAD FREE- | | | | |
| | | 10 OVER 30 UNDER | ±0.25 | CHECKED BY MYAGI | DATE 2004/12/17 | | | | | |
| | | 30 OVER | ±0.3 | APPROVED BY ANODA | DATE 2004/12/17 | | | | | |
| ANGULAR ±3 ° | | DRAFT WHERE APPLICABLE MUST REMAIN WITHIN DIMENSIONS | | MATERIAL NO. SEE SHEET 2 | | DOCUMENT NO. SD-501190-004 | | SHEET NO. 1 OF 3 | | |
| SIZE A3 THIS DRAWING CONTAINS INFORMATION THAT IS PROPRIETARY TO MOLEX INCORPORATED AND SHOULD NOT BE USED WITHOUT WRITTEN PERMISSION | | | | | | | | | | |



| | | | | | | | |
|----------------------------|------|--------|------|-------------|-------------------------|--------------------------------------|-------|
| 無 NO | 45.5 | 44±0.3 | 20.2 | 27.6 | 501190-5029 | 501190-5027 | 50 |
| | | | | 22.6 | 501190-4029 | 501190-4027 | 40 |
| | 33.5 | 32±0.3 | 14.2 | 17.6 | 501190-3029 | 501190-3027 | 30 |
| | 25.5 | 24±0.3 | 11.5 | 12.6 | 501190-2029 | 501190-2027 | 20 |
| 有 YES | 45.5 | 44±0.3 | 20.2 | 27.6 | 501190-5019 | 501190-5017 | 50 |
| | | | | 22.6 | 501190-4019 | 501190-4017 | 40 |
| | | | | | 501190-407* | 501190-405* | |
| | 33.5 | 32±0.3 | 14.2 | 17.6 | 501190-3019 | 501190-3017 | 30 |
| | | | | | 501190-307* | 501190-305* | |
| | 25.5 | 24±0.3 | 11.5 | 12.6 | 501190-2019 | 501190-2017 | 20 |
| | | | | 501190-207* | 501190-205* | | |
| 吸着用カバーテープの有無 COVER TAPE | D | C | (B) | (A) | CONNECTOR SERIES NO. | EMBOSSED PACKAGE オーダー番号 ORDER NO. | CKTS. |

| | | | | | | | |
|---|--|--|----------------------------|--------------------|--|------------------------|---------------------------|
| REVISED EC NO: J2013-1460 2013/06/12 DRWN:KASHIO 2013/06/12 CHKD:KASAKAWA 2013/06/12 APPR:NUKITA 2013/06/12 | GENERAL TOLERANCES (UNLESS SPECIFIED) | | DIMENSION STYLE MM ONLY | | SCALE --- | DESIGN UNITS METRIC | THIRD ANGLE PROJECTION |
| | 10 UNDER | ±0.2 | DRAWN BY NYOSHIDA | DATE 2004/12/17 | TITLE 1.0 WIRE TO BOARD CONN. WAFER ASS'Y (2-ROW S/T) EMBTP PKG -LEAD FREE- | | |
| | 10 OVER 30 UNDER | ±0.25 | CHECKED BY MYAGI | DATE 2004/12/17 | | | |
| | 30 OVER | ±0.3 | APPROVED BY ANODA | DATE 2004/12/17 | | | |
| ANGULAR ±3 ° | | MATERIAL NO. | | DOCUMENT NO. | | SHEET NO. | |
| DRAFT WHERE APPLICABLE MUST REMAIN WITHIN DIMENSIONS | | SEE CHART | | SD-501190-004 | | 2 OF 3 | |
| | | THIS DRAWING CONTAINS INFORMATION THAT IS PROPRIETARY TO MOLEX INCORPORATED AND SHOULD NOT BE USED WITHOUT WRITTEN PERMISSION | | | | | |

| 有 YES | 緑 GREEN | 青 BLUE | 赤 RED | 黒 BLACK | 色 COLOR | |
|-------------|--------------------------------------|-------------|-------------|------------|------------|----------------------|
| | --- | --- | --- | --- | --- | 50 |
| 501190-4056 | 501190-4054 | 501190-4052 | 501190-4051 | 40 | | |
| 501190-3056 | 501190-3054 | 501190-3052 | 501190-3051 | 30 | | |
| 501190-2056 | 501190-2054 | 501190-2052 | 501190-2051 | 20 | | |
| COVER TAPE | EMBOSSED PACKAGE オーダー番号 ORDER NO. | | | | CKT. | CONNECTOR SERIES NO. |

| 無 NO | 自然色 NATURAL | 色 COLOR | |
|-------------|--------------------------------------|------------|----------------------|
| | 501190-5027 | 50 | 501190-***29 |
| | 501190-4027 | 40 | |
| | 501190-3027 | 30 | |
| 501190-2027 | 20 | | |
| COVER TAPE | EMBOSSED PACKAGE オーダー番号 ORDER NO. | CKT. | CONNECTOR SERIES NO. |
| 有 YES | 自然色 NATURAL | 色 COLOR | |
| | 501190-5017 | 50 | 501190-***19 |
| | 501190-4017 | 40 | |
| | 501190-3017 | 30 | |
| 501190-2017 | 20 | | |
| COVER TAPE | EMBOSSED PACKAGE オーダー番号 ORDER NO. | CKT. | CONNECTOR SERIES NO. |

| | | | | | | | |
|--|---------------------------------------|-----------|----------------------------|---|--|------------------------|------------------------|
| SEE SHEET 1 EC NO: J2013-1460 DRWN: KWASHIO 2013/06/12 CHKD: KASAKAWA 2013/06/12 APPR: NUKITA 2013/06/12 | GENERAL TOLERANCES (UNLESS SPECIFIED) | | DIMENSION STYLE MM ONLY | | SCALE --- | DESIGN UNITS METRIC | THIRD ANGLE PROJECTION |
| | 10 UNDER | ±0.2 | DRAWN BY NYOSHIDA | DATE 2004/12/17 | TITLE 1.0 WIRE TO BOARD CONN. WAFER ASS'Y (2-ROW S/T) EMBTP PKG -LEAD FREE- molex | | |
| | 10 OVER 30 UNDER | ±0.25 | CHECKED BY MYAGI | DATE 2004/12/17 | | | |
| | 30 OVER | ±0.3 | APPROVED BY ANODA | DATE 2004/12/17 | | | |
| | ANGULAR ±3 ° | | MATERIAL NO. | DOCUMENT NO. | SHEET NO. | | |
| DRAFT WHERE APPLICABLE MUST REMAIN WITHIN DIMENSIONS | | SEE CHART | | SD-501190-004 | | 3 OF 3 | |
| | | SIZE A3 | | THIS DRAWING CONTAINS INFORMATION THAT IS PROPRIETARY TO MOLEX INCORPORATED AND SHOULD NOT BE USED WITHOUT WRITTEN PERMISSION | | | |