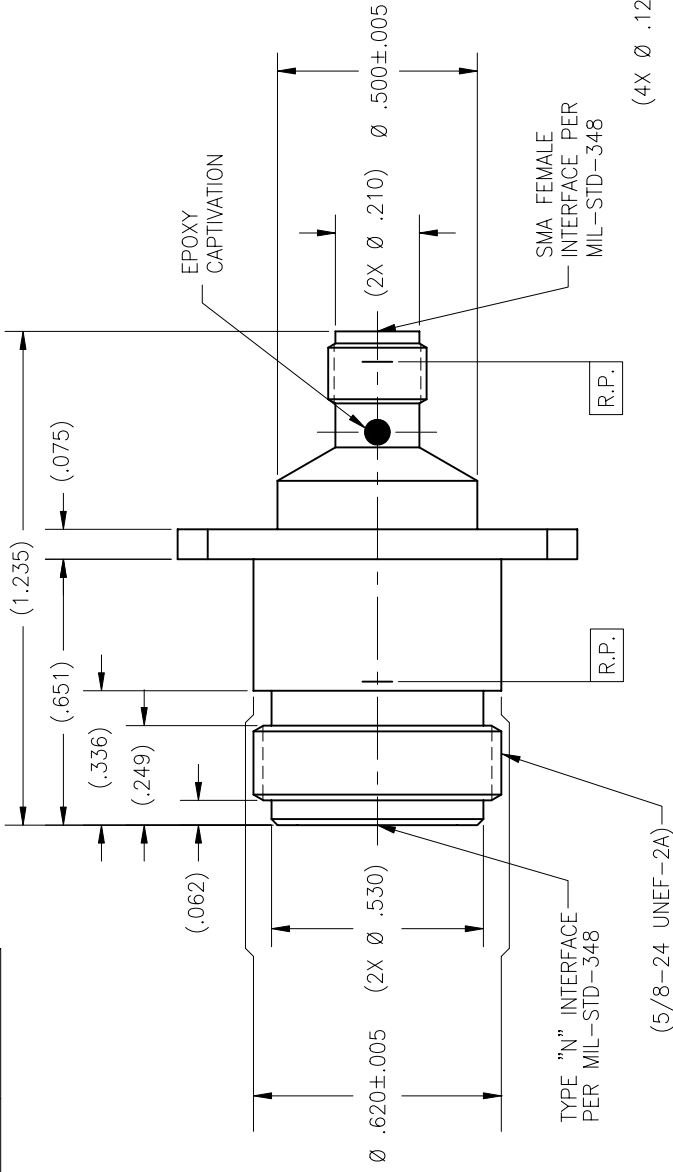


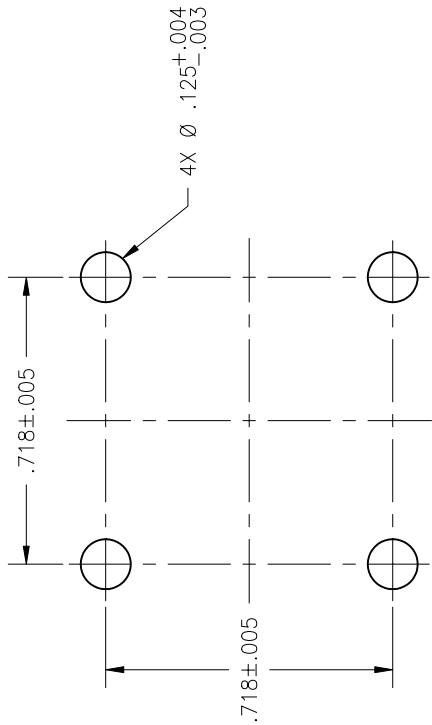
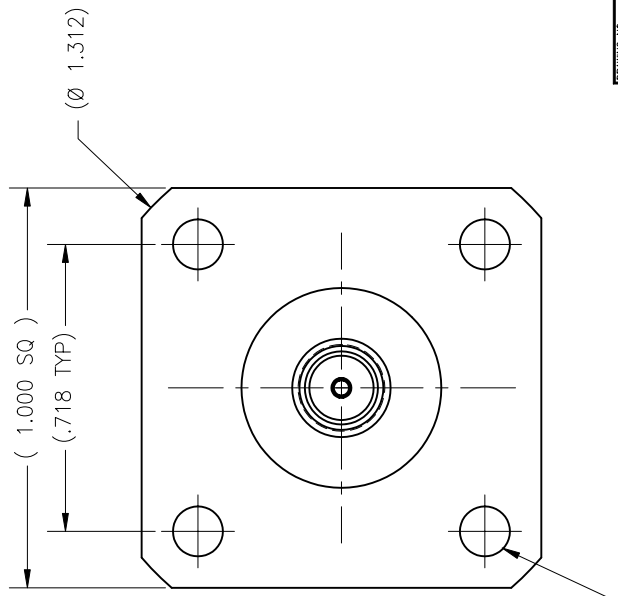
P/N	APPLICABLE NOTE(S)
-CC	1,2
-CCNP	1,2
-CCSF	1,2



NOTE(S):

- MATERIAL(S):
 - BODY: 303 SST PER ASTM A-582.
 - CENTER CONDUCTOR: BeCu ALLOY C173 PER ASTM B-196.
 - INSULATOR: PTFE PER ASTM D-1710.
 - EPOXY: SIGMA VF TYPE HV.
- FINISH(ES):
 - BODY:
 - (FOR CCSF) PASSIVATED PER ASTM A-967.
 - (FOR CC) GOLD PLATE PER ASTM B-488 OVER NICKEL PLATED PER AMS-QQ-N-290.
 - CENTER CONDUCTOR:
 - (FOR CCNP): BRIGHT NICKEL PLATE PER AMS-QQ-N-290.
 - GOLD PLATE PER ASTM B-488 OVER NICKEL PLATED PER AMS-QQ-N-290.
 - INSULATOR & EPOXY: NONE.

ZONE	REV	DESCRIPTION	DATE	BY
-	A	17833	01.17.05	ATV



Mounting Hole Pattern

DRAWING NO.	REV.
5009	A

APPLICABLE TENSOLITE DOCUMENTS			
WORK STD	PROD INST	ASST INST	ASST INST
NA	NA	NA	NA

NOTICE
 THIS DRAWING IS THE PROPERTY OF TENSOLITE CORPORATION. IT IS TO BE USED ONLY FOR THE PROJECT AND FOR THE PURPOSES SPECIFIED THEREIN. REPRODUCTION, USE AND SALE RIGHTS REGARDING THE SAME ARE RESERVED BY TENSOLITE CORPORATION. ALL DESIGN MANUFACTURING INFORMATION IS THE PROPERTY OF TENSOLITE CORPORATION. NO INFORMATION IS TO BE RELEASED TO ANY UNAUTHORIZED PERSONS WITHOUT THE WRITTEN PERMISSION OF TENSOLITE CORPORATION. TENSOLITE CORPORATION IS NOT RESPONSIBLE FOR THE INCORPORATION IN OTHER PROJECTS OF ANY SPECIAL FEATURES, SPECIFICATIONS OR DIMENSIONS NOT SHOWN ON THIS DRAWING. ALL RIGHTS RESERVED BY TENSOLITE COMPANY, LONG BEACH, CALIFORNIA 90815.

TOLERANCES AND NOTES EXCEPT AS NOTED	
DIMENSIONS ARE IN INCHES	FRACTION ± 1/32
LINEAR	XX ±.015 ANGULAR ± 1/2
1. MACHINE FINISH \sqrt{R} RMS	
2. BREAK ALL SHARP EDGES .003 MAX.	
3. MACHINED FILLETS .005 MAX.	
4. MACHINED SURFACES SQUARE TO RESPECTIVE AXIS WITHIN .005 INCHES PER INCH.	
5. .002 TYP. UNLESS OTHERWISE SPECIFIED.	
6. DIMENSIONS TO BEAS BEFORE PLATING.	
7. CHAMFERS TO BEAS BEFORE PLATING.	
8. THREADS PER H-28.	
9. DIMENSIONS TO BEAS BEFORE PLATING.	
10. REMOVE ALL BURRS.	

SEE NOTE(S)	SEE NOTE(S)
-	-

SIZE	PROCUREMENT
-	HIGH PERFORMANCE CABLES & INTERCONNECT SYSTEMS
-	Lotg Becht, California 90815

TITLE	DATE	APPROVAL INITIALS	DATE
TYPE N FEMALE TO SMA FEMALE 4 HOLE FLANGE MOUNT ADAPTER	10.10.02	AGS	10.10.02
SCALE	4:1	QUALITY	01.17.05
SHEET	1	ENGINEERING	DNg
of	1	SIZE	C
		CAGE CODE	30990
		DRAWING NO.	5009
		REV.	A