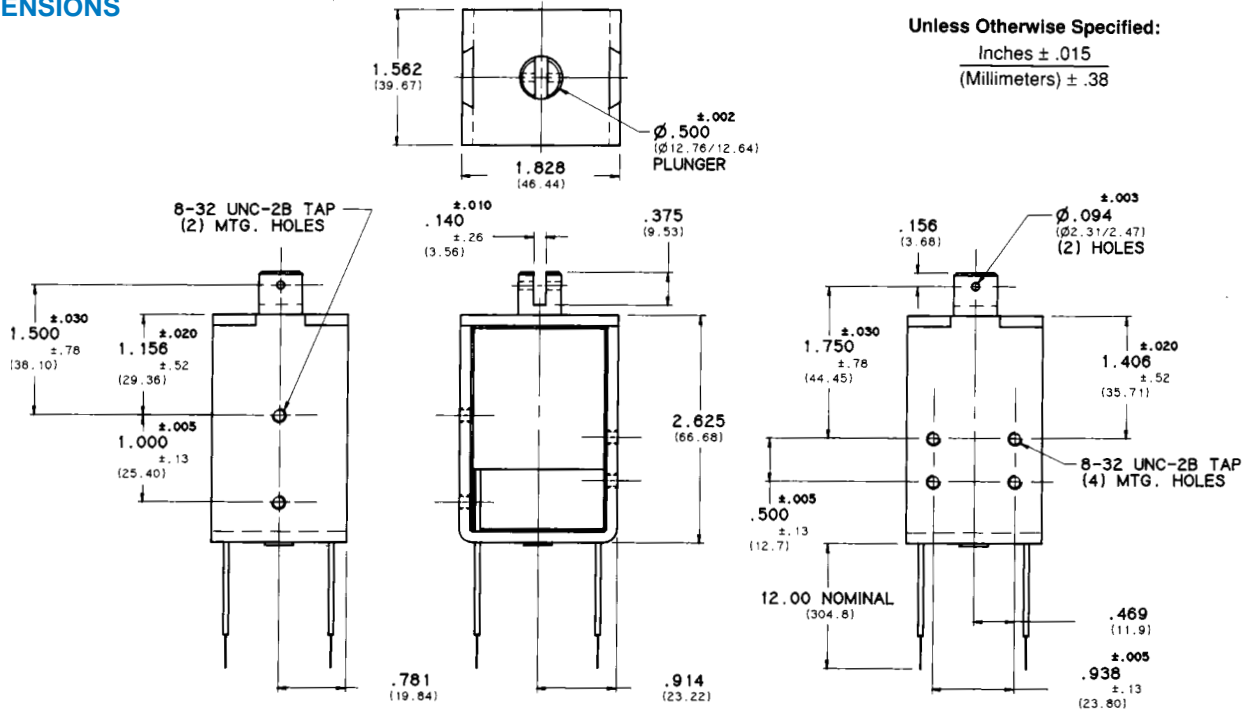


D-70 "D" FRAME SOLENOID

DIMENSIONS



COIL TREATMENT:

Tape Wrapped.
 Class A Rating (standard)
 Class B Rating (optional)

MAXIMUM OPERATING TEMPERATURE:

Class A – 105°C (221°F)
 Class B – 130°C (266°F)

DIELECTRIC STRENGTH:

30 Volts and Under: 500 VRMS
 Over 30 Volts: 1,000 VRMS plus 2x rated voltage for one minute

STANDARD POWER RATINGS:

DUTY	NOMINAL DC POWER
Continuous	13 W
Intermittent	48 W
Pulse	130 W

UL INFORMATION:

UL File No. E57982 For Continuous Duty
 UL File No. E74443 For Insulation Systems
 S105 & S130

WEIGHT:

Plunger – 1.92 Oz.
 Total – 1 Lb. 3 Oz.

PLUNGER GUIDE MATERIAL:

Plastic

LIFE EXPECTANCY:

10⁷ Cycles Under Optimum Load Conditions

TERMINATION:

Wire Leads (standard)

PLUNGER CONE ANGLE (DC):

38 Degrees Stepped Cone (standard)
 also available
 flat, 60 degrees, 90 degrees, custom

MAXIMUM DIMENSIONS:

Length 2.640 In.
 Width 1.577 In.
 Height 1.843 In.
 Plunger Diameter $\phi .502$ In.

MAXIMUM STROKE:

1.000 In.

D-70 STANDARD COIL RATING

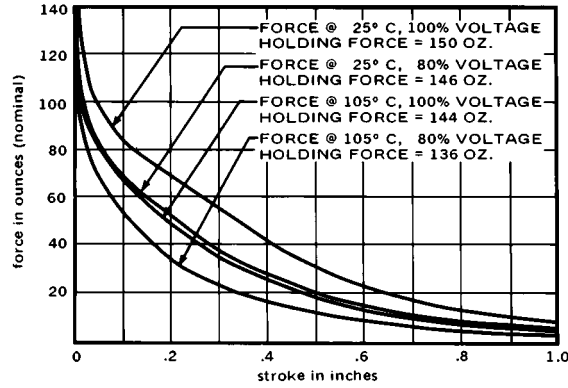
VOLTAGE	CONTINUOUS DUTY	RESISTANCE ±5%	INTERMITTENT DUTY	RESISTANCE ±5%	PULSE DUTY	RESISTANCE ±5%
DC COILS	P/N		P/N		P/N	
3 VDC	—	—	—	—	—	—
6 VDC	50046-80	2.75 OHMS	50031-80	.75 OHMS	53714-80	—
12 VDC	50046-81*	11 OHMS	50031-81*	3.0 OHMS	53714-81	1.1 OHMS
24 VDC	50046-83*	44.3 OHMS	50031-83*	12.0 OHMS	53714-83	4.5 OHMS
110 VDC	50046-93*	940 OHMS	50031-93*	254 OHMS	53714-93	92 OHMS

*Black Items Are Normally Stocked.

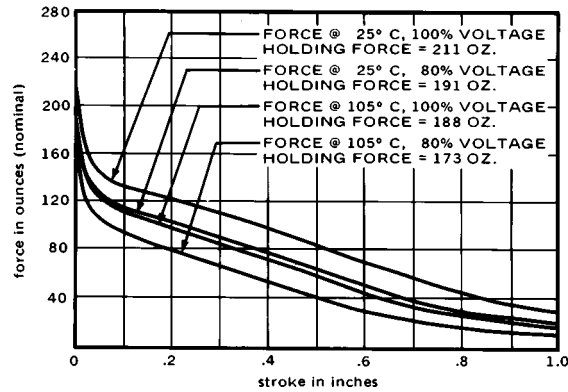
Blue Items Are Non Stock – Minimum Quantity May Be Required.

D-70 FORCE CURVES (CLASS A)

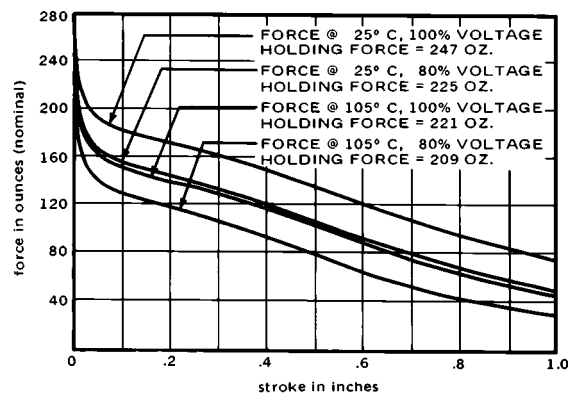
DC CONTINUOUS DUTY - 13 WATTS



DC INTERMITTENT DUTY - 48 WATTS



DC PULSE DUTY - 130 WATTS



Standard intermittent duty cycle at nominal voltage is 25% with 3 minutes maximum "ON" and 9 minutes minimum "OFF" in a repetitive cycle.
Standard pulse duty cycle is 10% with 100 milliseconds "ON" and 900 milliseconds "OFF".

NOTE: Approx. 36 sq. in. Heat Sink Required.