

Item # 722-0001 VAC, 2-Hole Rectangular



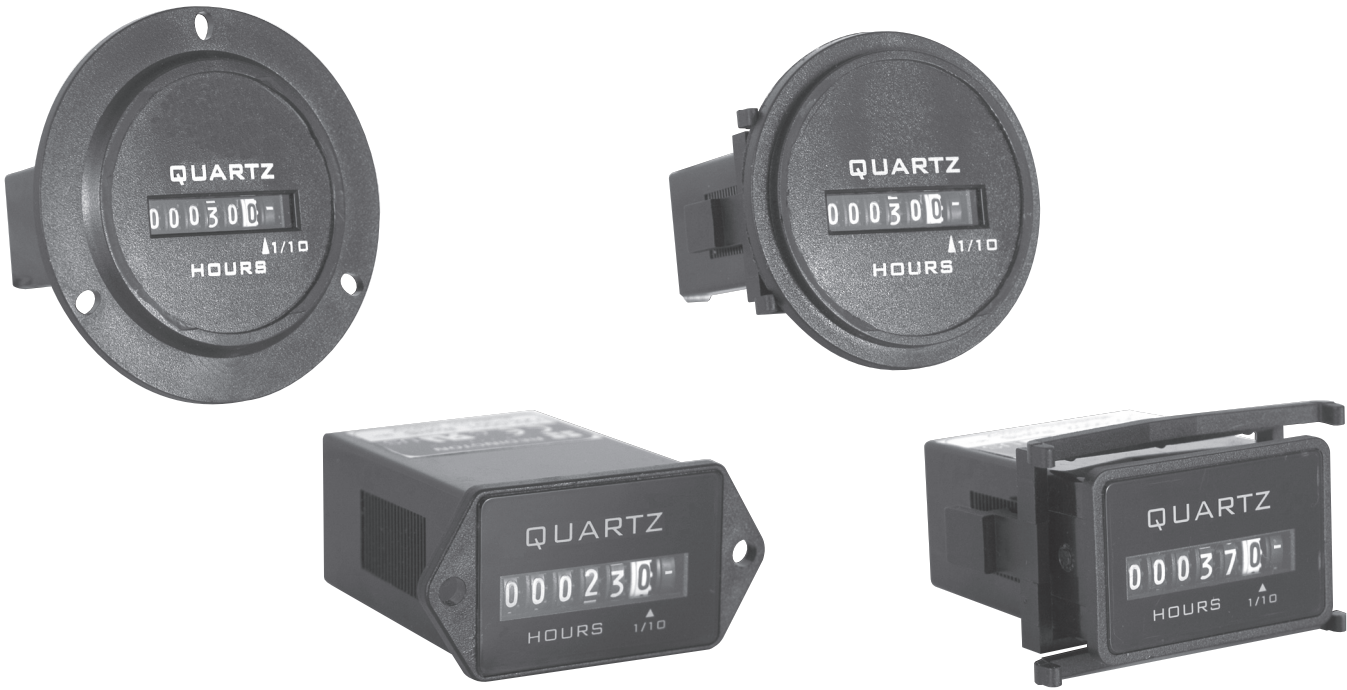
VAC, 2-Hole Rectangular

The Redington Model 722 provides an AC Hour Meter with an operating range of 90-264VAC 50/60 Hz. You no longer require two separate meters, one for 115VAC and one for 230VAC. Models are available in the standard industry housings. Its quartz time base insures accurate long-term time keeping. The Totally Sealed case protects against the environment and provides years of reliable service. All applicable models are NEMA 4X, 12 rated when mounted with optional gasket.

Specifications

| | |
|------------------------------|---|
| Model No. | 722 |
| Mounting | 2-Hole Rectangular |
| Reset | Non-reset |
| Termination | 1/4 inch (6.3mm) spade terminals |
| Display | 6 - digits, 0.125 inch (3.2mm) 99999.9 Hours - white on black Tenths - red on white |
| Display Height | 0.125 Inch |
| Display Height | 3.2 mm |
| No. of Digits | 6 |
| Records | 99999.9 hours |
| Accuracy | ± 0.02 over entire range |
| Input Voltage | 90-240 VAC 50-60 Hz ± 10% |
| Power | Less than 0.6 watts |
| Operating Temperature | -40 to +185 °F |
| Operating Temperature | -40 to +85 °C |
| Case Material | Black Polymer |
| Weight | 2 oz |
| Weight | 57 gm |

| | |
|---------------------------------|---------------------------------|
| Panel Cutout | 1.45 x 0.95 Inch |
| Panel Cutout | 36.8 x 24.1 mm |
| Approvals | UL/CSA Recognized, CE Compliant |
| Environmental Protection | Totally sealed |
| Vibration | 10-75 Hz |
| Stock Availability | Yes |
| Accessory | 5003-010 (NEMA 4X, 12 Gasket) |



Description

The Redington Model 722 provides an AC Hour Meter with an operating range of 90-264VAC 50/60 Hz. You no longer require two separate meters, one for 115VAC and one for 230VAC. Models are available in the standard industry housings, 2-Hole Rectangular, Flush-Rectangular, Flush-Round and 3-Hole Round. Its quartz time base insures accurate long-term time keeping. The Totally Sealed case protects against the environment and provides years of reliable service. All models are NEMA 4X,12 rated when mounted with optional gasket.

Features

- Operating voltage 90-264VAC 50/60Hz
- Totally Sealed
- UL/cUL Recognized, CE & RoHS Compliant
- 6 Figure, 99999.9
- Quartz accuracy

Options

- Wire leads
- Gasket kit (for NEMA 4X, 12 rating)
- Custom lens
- Terminals up, down, straight

Specifications

Figures: 6 - digits, 0.14" [3.6mm] 99999.9
Hours and indicator - white on black
Decimal - black on white

Reset: Non-reset

Voltage: 90-264VAC

Frequency: 50/60Hz

Power: 1 watt max.

Mounting: Clip or mounting holes

Termination: ¼" [6.3mm] spade terminals

Weight: ~2 oz [57 g]

Accuracy: ± 0.02% over entire range

Case Material: Black polymer

Lens Material: Polymer

Agency Approvals: UL/cUL Recognized, CE & RoHS Compliant, SAE & NEMA 4X, 12 Compliant

Environmental: Totally Sealed

Front Panel: NEMA 4X, 12 rated with optional gasket

Temperature: -40°F to +185°F [-40°C to + 85°C]

Humidity: 95% (SAE J1378)

Vibration: 10-80 Hz, 20g max. (SAE J1378)

Shock: 55g @ 9 - 13msec (SAE J1378)

Models Description

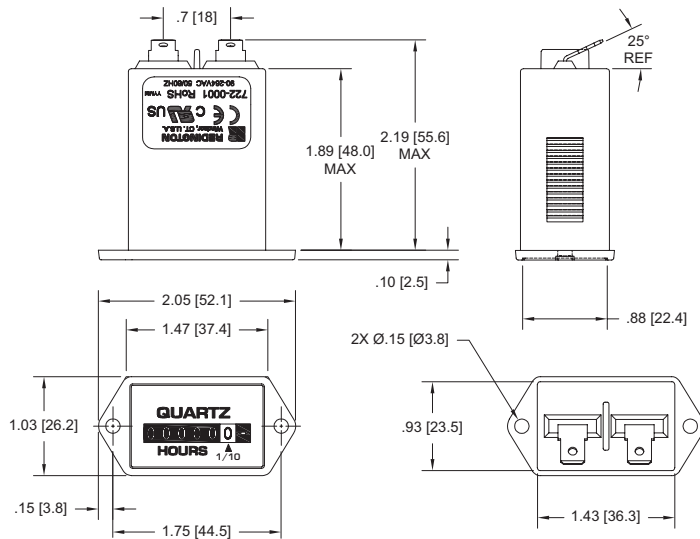
| | |
|----------|---|
| 722-0001 | 2-Hole Rectangular, 90-264VAC 50/60Hz, ¼" [6.3mm] spade terminals, hours & 1/10's |
| 722-0002 | Flush-Rectangular, 90-264VAC 50/60Hz, ¼" [6.3mm] spade terminals, hours & 1/10's |
| 722-0003 | Flush-Round, 90-264VAC 50/60Hz, ¼" [6.3mm] spade terminals, hours & 1/10's |
| 722-0004 | 3-Hole Round, 90-264VAC 50/60Hz, ¼" [6.3mm] spade terminals, hours & 1/10's |
| 5003-009 | NEMA 4X, 12 Gasket for Model 722-0002 |
| 5003-010 | NEMA 4X, 12 Gasket for Model 722-0001 |
| 5003-011 | NEMA 4X, 12 Gasket for Model 722-0004 |
| 5003-008 | NEMA 4X, 12 Gasket for Model 722-0003 |

* All items are normally in factory stock



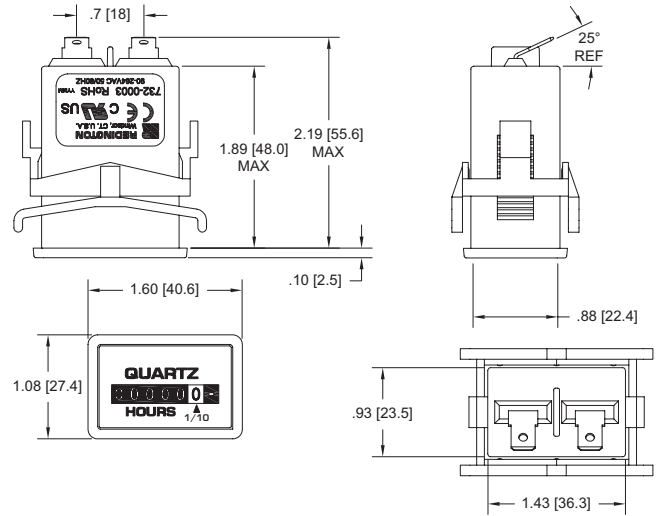
Dimensions

2-Hole



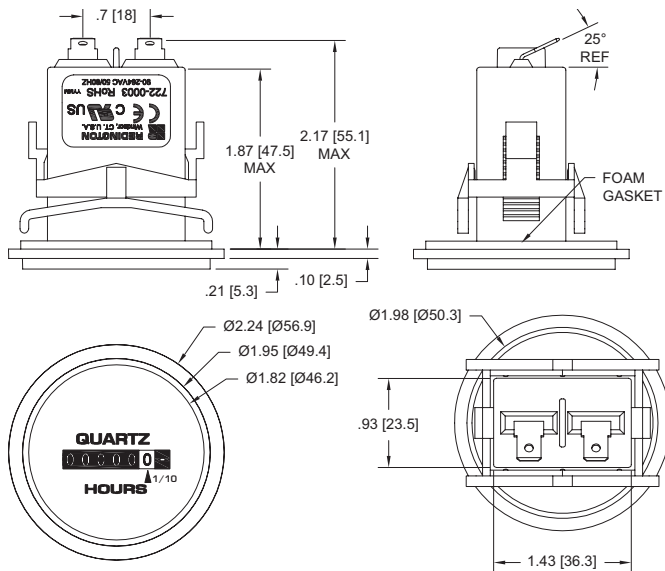
Panel Opening: 1.45" X 0.95" [36.8 X 24.1]

Flush-Rectangular



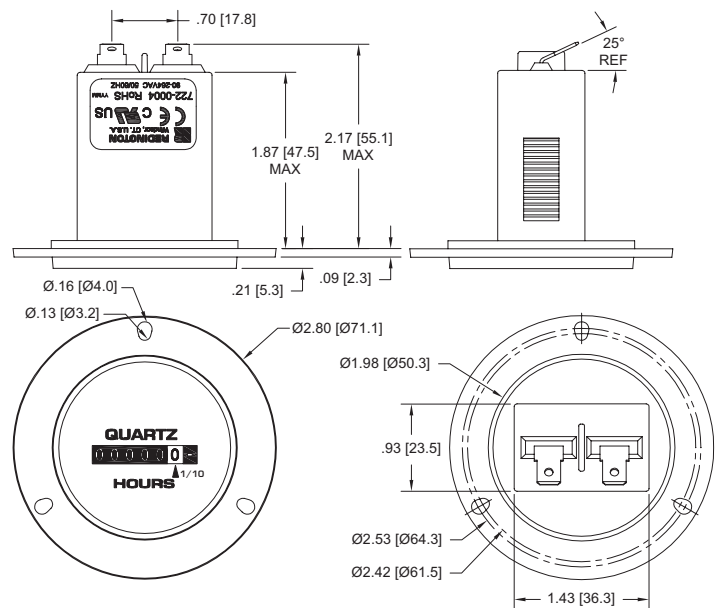
Panel Opening: 1.45" X 0.95" [36.8 X 24.1]
Panel Thickness: 0.03 to 0.63 [0.76 to 16.00]

Flush-Round



Panel Opening: 2.0" [50.6]
Panel Thickness: 0.40 [10.2] Max.

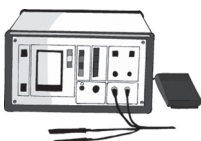
3-Hole Round



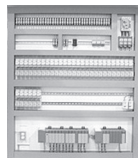
Panel Opening: 2.0" [50.6]

Applications

Medical Equipment



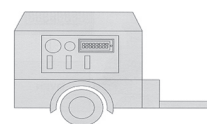
Control Panels



Test Equipment



Generators



Office Equipment

