

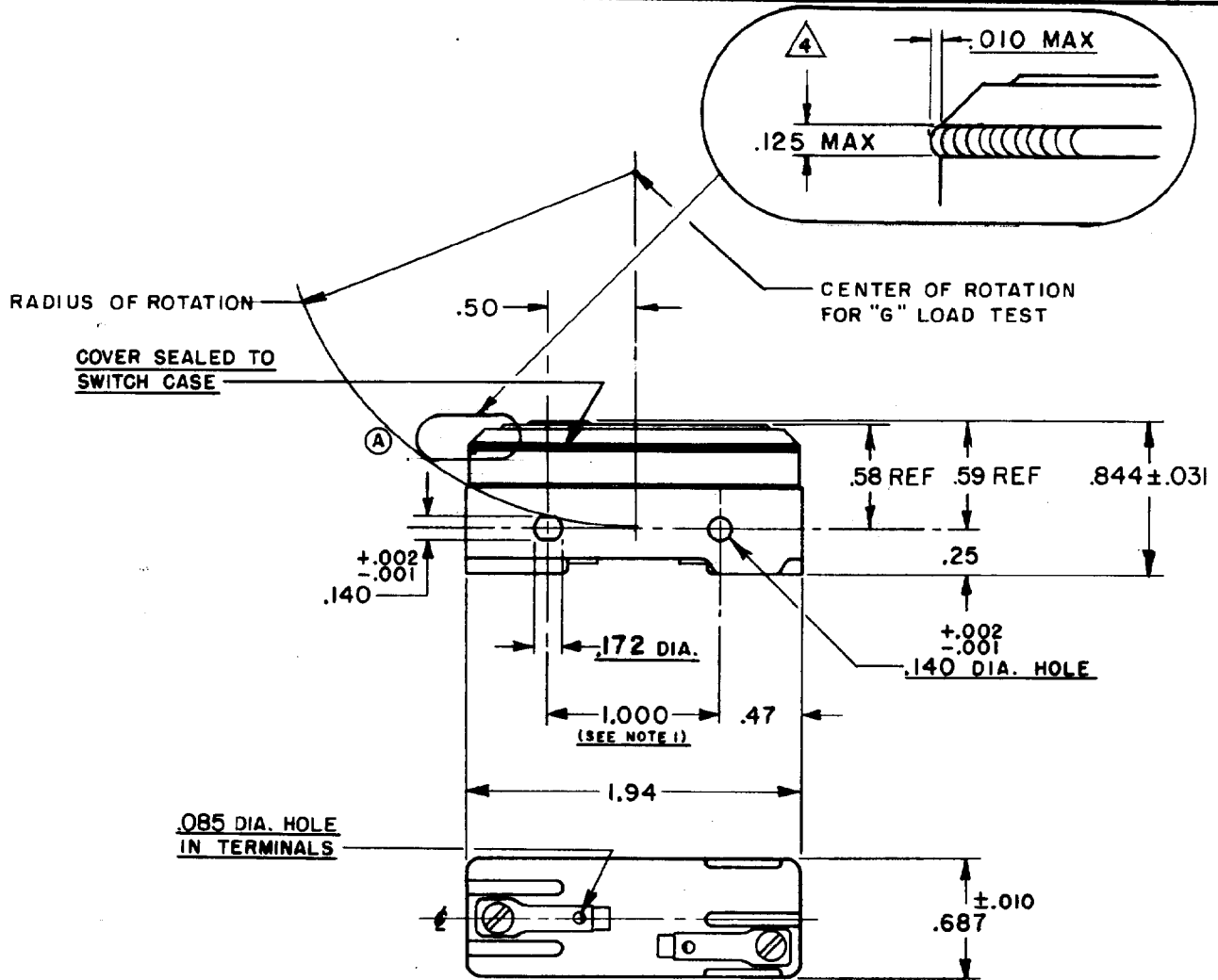
MICRO SWITCH

A DIVISION OF MINNEAPOLIS-HONEYWELL REGULATOR COMPANY
 ST. LOUIS, MISSOURI
 FED. MFR. CODE 91929

SWITCH-BASIC

CATALOG LISTING

4BS3



NOTE -

- 1- MOUNTING HOLES WILL ACCEPT PINS OR SCREWS OF .139 MAX. DIA. ON $1.000 \pm .002$ CENTERS.
- 2- SWITCH IS CAPABLE OF BEING SUBMERGED IN 2 INCHES OF WATER FOR ONE HOUR WITHOUT DETERIORATION OF SEALANT AND WITHOUT INDICATION OF LEAKAGE
- 3- SWITCH WILL WITHSTAND 3 P.S.I. HYDROSTATIC PRESSURE FOR 3 MINUTES MIN.
- 4 A BAND OF EPOXY .010 MAX THICK X .125 MAX WIDE IS PERMITTED AT THE JUNCTION OF THE COVER AND CASE

THIS DRAWING COVERS A PROPRIETARY ITEM AND IS THE PROPERTY OF MICRO SWITCH, A DIVISION OF HONEYWELL. THIS DRAWING IS NOT TO BE COPIED OR USED WITHOUT THE APPROVAL OF MICRO SWITCH.

CHARACTERISTICS	ELECTRICAL DATA	SCALE FULL
OPERATING FORCE - - - - -40 GRAMS MAX.	CONTACT ARRANGEMENT S. P. N. C.	DO NOT SCALE PRINT
RELEASE FORCE - - - - -20 GRAMS MIN.		UNLESS OTHERWISE SPECIFIED DIMENSIONS ARE IN INCHES
"G" LOAD - - - - -5-8 "G"		TOLERANCES ARE: ONE PLACE (.0) $\pm .030$ TWO PLACE (.00) $\pm .015$ THREE PLACE (.000) $\pm .005$ ANGLES \pm
		WEIGHT .050 LB.

4BS3
 M
 DRAWING NUMBER
 ISSUE 8
 RELEASE NO. SR 4441
 CHECK CWT 1 JUNE 63
 CHECK REH 1 JUNE 63
 CHECK TVK 9 JUNE 63
 CHECK H.A.P. 24 MAY 55
 DRAWN
 74-96

REVISIONS
A CO18215 M B F 27 JAN 61
B CO18194 M B F 19 JUNE 63
C CO 24840 M B S 30 OCT 68
D CO60774 W J K 5 JAN 67
E CO77590 DLT 10 JUN 94
F 0005508 PEH/AP 18 MAY 04
G 0005642 TCC/AP 26 MAY 04