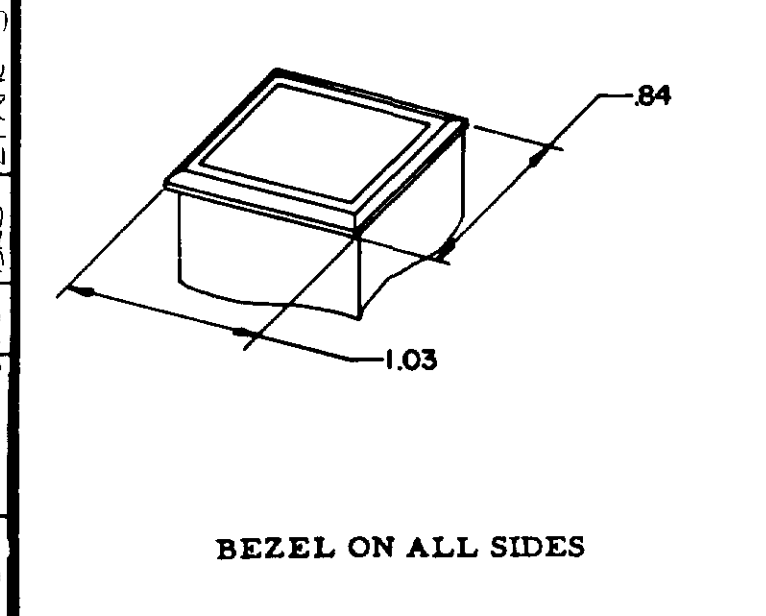
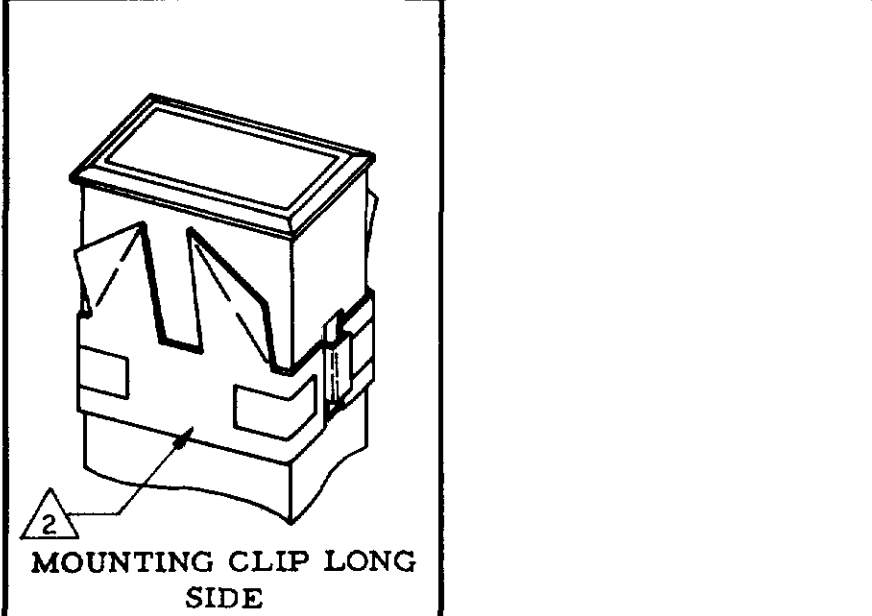
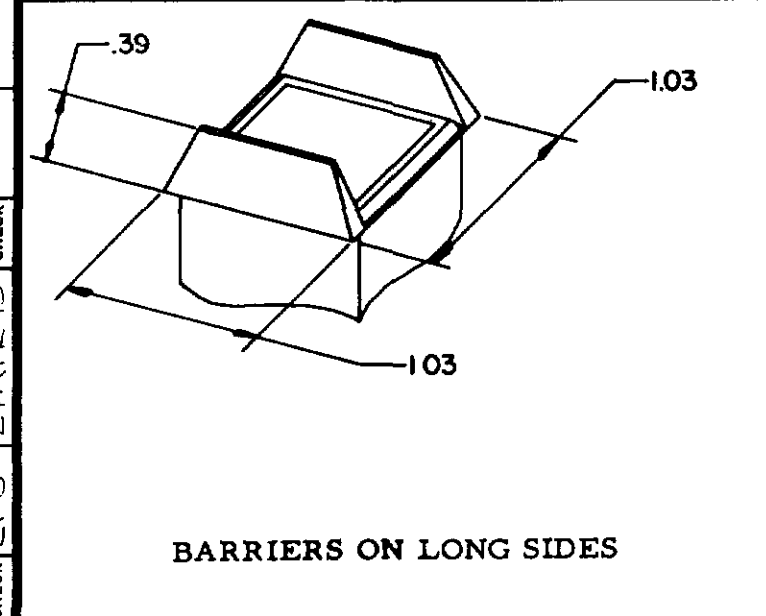


HOUSING STYLE	HOUSING COLOR	SWITCHING ELEMENT	ILLUMINATION
 BARRIER ON ONE SHORT SIDE	B BLACK	1-POLE (SPDT), SILVER CONTACTS	11 NO LAMP, HAS LAMP SOCKET
25 BARRIERS ON SHORT SIDES, MOUNTING CLIPS ON LONG SIDES		2-POLE (DPDT), SILVER CONTACTS	12 6 VOLT LAMP, ASA #259
26 BARRIER ON ONE SHORT SIDE, MOUNTING CLIPS ON LONG SIDES		1-POLE (SPDT), GOLD CONTACTS	13 6 VOLT LAMP, ASA #159
35 BARRIERS AND MOUNTING CLIPS ON LONG SIDES		2-POLE (DPDT), GOLD CONTACTS	21 12 VOLT LAMP, ASA #161
36 BARRIER ON ONE LONG SIDE, MOUNTING CLIPS ON LONG SIDES		1-POLE (SPDT), SILVER CONTACTS (10AMP)	31 28 VOLT LAMP, ASA #656
35 BARRIERS AND MOUNTING CLIPS ON LONG SIDES		2-POLE (DPDT), SILVER CONTACTS (10AMP)	91 UNLIGHTED, NO LAMP SOCKET
36 BARRIER ON ONE LONG SIDE, MOUNTING CLIPS ON LONG SIDES		1-POLE (SPDT), GOLD ALLOY CONTACTS	41 NO LAMP, HAS LAMP SOCKET
36 BARRIER ON ONE LONG SIDE, MOUNTING CLIPS ON LONG SIDES		2-POLE (DPDT), GOLD ALLOY CONTACTS	42 120 VOLT LAMP, 120 PSB

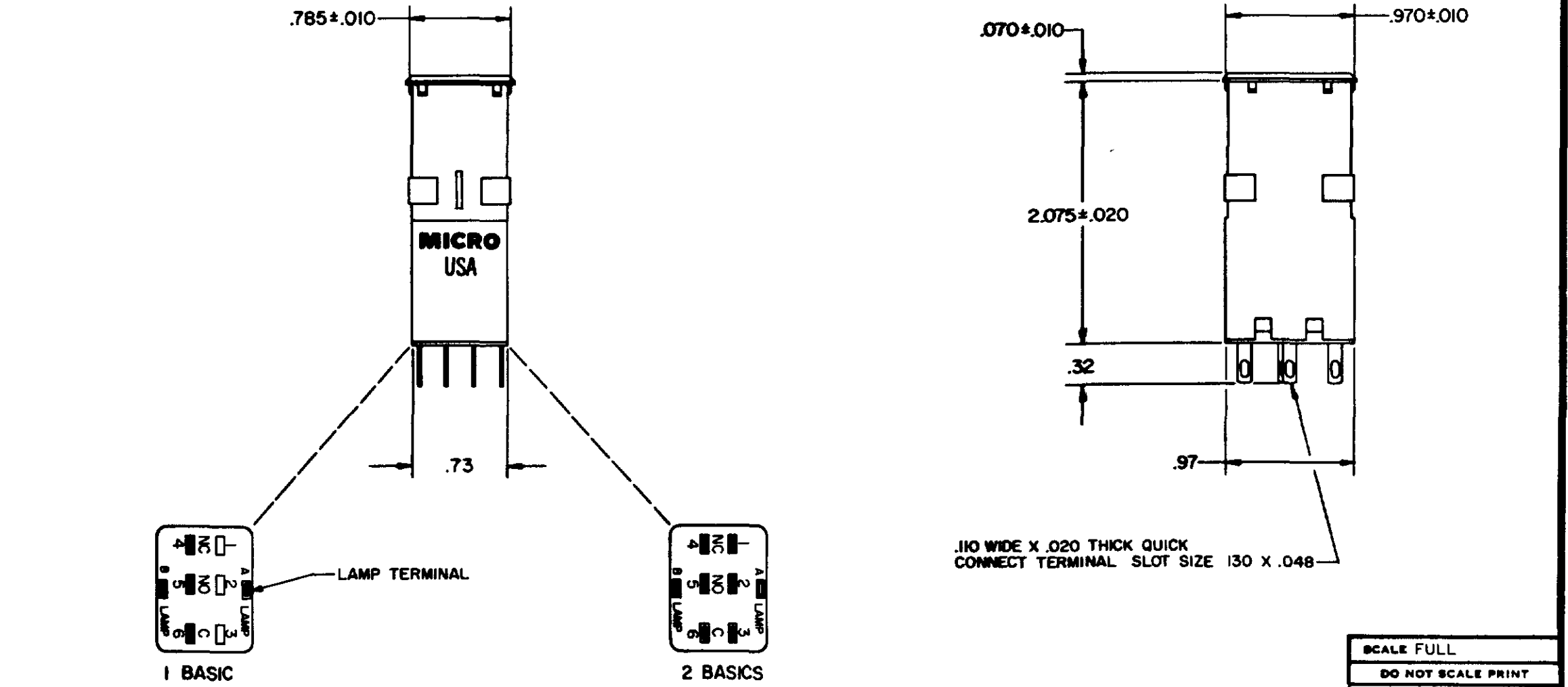


NOTES

1 - TYPICAL LISTING 4A35BBA11.

2 - MOUNTING CLIP MUST BE REMOVED FROM UNIT FOR INSERTION OR REMOVAL OF BUTTON.

3 - FOR USE WITH 4B3 TYPE BUTTONS ONLY.



THIS DRAWING COVERS A PROPRIETARY ITEM AND IS THE PROPERTY OF MICRO SWITCH, A DIVISION OF HONEYWELL. THIS DRAWING IS NOT TO BE COPIED OR USED WITHOUT THE APPROVAL OF MICRO SWITCH.

MICRO SWITCH
FREEPORT ILLINOIS U.S.A.
A DIVISION OF HONEYWELL
FED. REG. CODE 51289

SWITCH - LIGHTED
PUSHBUTTON (HOUSING)

CATALOG LISTING
4A SERIES
CHART 3

SCALE FULL
DO NOT SCALE PRINT

UNLESS OTHERWISE NOTED
DIMENSIONS ARE IN INCHES

TOLERANCES ARE:

ONE PLACE (.0)	± .030
TWO PLACE (.00)	± .015
THREE PLACE (.000)	± .008
ANGLES	±

WEIGHT

MASTER REDUCED