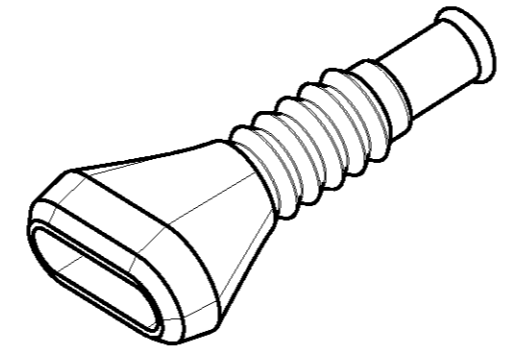
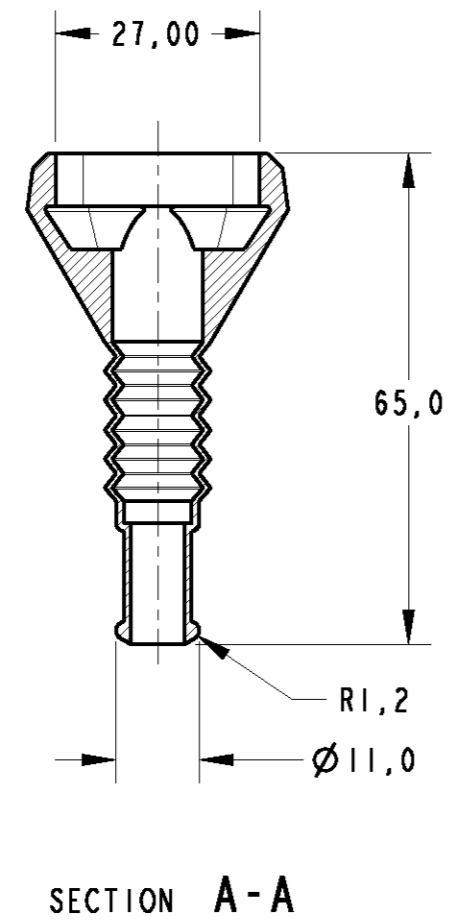
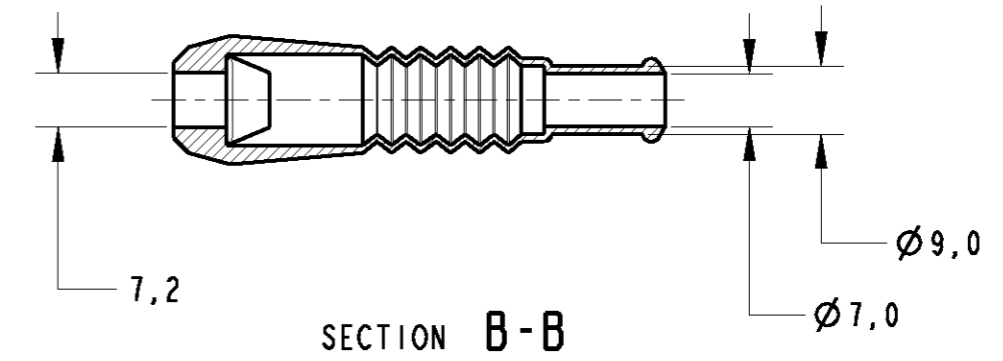
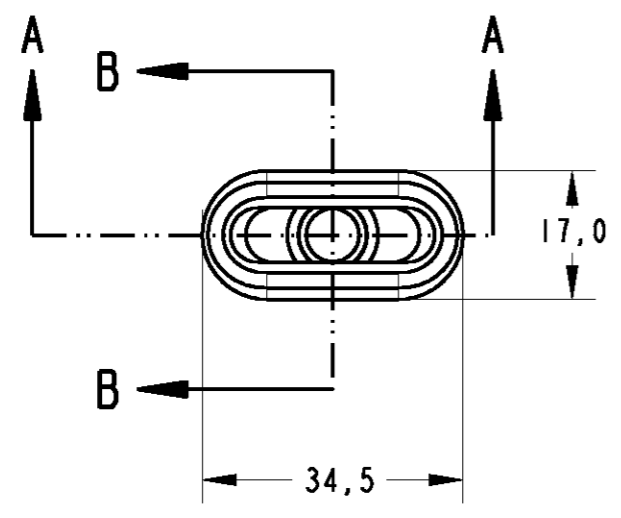


THIS DRAWING IS UNPUBLISHED. RELEASED FOR PUBLICATION .19 .  
 © COPYRIGHT 19 BY AMP INCORPORATED. ALL RIGHTS RESERVED.

LOC	DIST	REVISIONS			
P	LTR	DESCRIPTION	DATE	DWN	APVD
AP	-	0	WAS 98-29092-001	-	AP PLF
		A	REVISED BY ECR-05-008986	29AUG2005	DCB PLF

**CAD**  
 DO NOT REVISE  
 EXCEPT BY CAD



PERSPECTIVE VIEW

- Ⓐ 1 - ELASTÔMERO SAE J 200 M 2BC 514, A14, B14, C12, E014, F17  
 - ELASTOMER SAE J 200 M 2BC 521, A14, B14, C12, E014, F17
- Ⓐ 2 - TOLERÂNCIA PARA REBARBAS / FLASH TOLERANCE:  
 COMPRIMENTO EXTERNO / OUTSIDE HEIGHT - 0,4mm MAX.  
 COMPRIMENTO INTERNO / INSIDE HEIGHT - 0,05mm MAX.
- Ⓐ 3 - USADO NO CONECTOR 282106-1, OU SIMILAR  
 - USED ON CONNECTOR 282106-1, OR SIMILAR

—	PRETO/BLACK	Ⓐ	493581-1
RAW MAT'L NO.	FINISH	MATERIAL	PART NUMBER

THIS DRAWING IS A CONTROLLED DOCUMENT FOR AMP INCORPORATED. IT IS SUBJECT TO CHANGE AND THE CONTROLLING ENGINEERING ORGANIZATION SHOULD BE CONTACTED FOR THE LATEST REVISION.		DWN A. PERUSSI 03SEP98	<b>AMP</b> AMP do BRASIL LTDA. São Paulo, Brasil	
DIMENSIONS: mm		CHK P.L.FARIA	NAME	
TOLERANCES UNLESS OTHERWISE SPECIFIED: 0 PLC ±0,5 1 PLC ± 2 PLC ± 3 PLC ± 4 PLC ± ANGLES ±1°		APVD J.M.M.NETO	PRODUCT SPEC	
MATERIAL SEE TABLE		FINISH SEE TABLE	APPLICATION SPEC	
CUSTOMER DRAWING		WEIGHT -	SIZE A3	CAGE CODE 00779
		DRAWING NO. 493581		RESTRICTED TO -
		SCALE	SHEET	OF
				REV A