

Snapfit Indicator Lights for 0.865" x 0.320" Mounting Hole

48 SERIES

- RECTANGULAR INDICATOR LIGHTS FOR 0.865" X 0.320" MOUNTING HOLE
- 6" WIRE LEADS OR 3/16" TAB TERMINALS
- NEON OR INCANDESCENT
- VARIETY OF LENS COLORS • LENSES MAY BE CUSTOMIZED
- UL AND CSA LISTED • UL FILE E20356 • CSA FILE LR15284-13

Overview

The 48 Series rectangular indicator lights feature a one piece compact design with a distinctive tapered lens to enhance front panel design. Indicator lights quickly snapfit into a 0.865" x 0.320" (8.13mm x 21.97mm) mounting hole with recommended panel thickness range of 0.031" minimum to 0.100" maximum. Lenses may be customized with stamping. Contact your customer service representative for specific ordering information.

Specifications

Base: nylon.

Lens/Housing: nylon . Lenses may be customized with stamping.

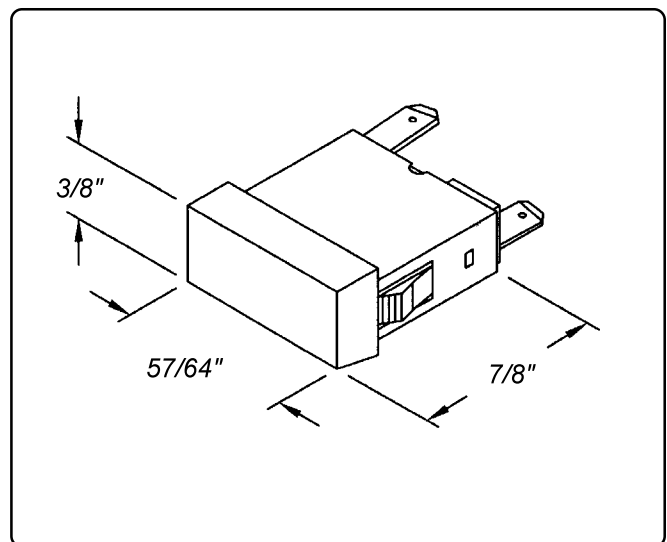
Incandescent AC or DC voltage options: 6, 14 and 28 volts.

Neon AC or DC voltage options: 125 and 250 volts.
Note: high brightness green and blue neon lamps supplied in green and blue neon applications.

Two 6" wire leads: #18 AWG, black, bare copper, PVC insulated, UL/CSA rated 105° C, stripped 1/2". Custom wire lengths, stripping, termination and wire types are available.

Terminals:

3/16" tabs: brass, (3/16" length x 0.020" thick).



Can't find it here? We have many more standard and custom solutions

The items in this product sheets are only a small representative sample of the complete VCC product line. We manufacture many additional products which are not shown in this product sheet due to space constraints.

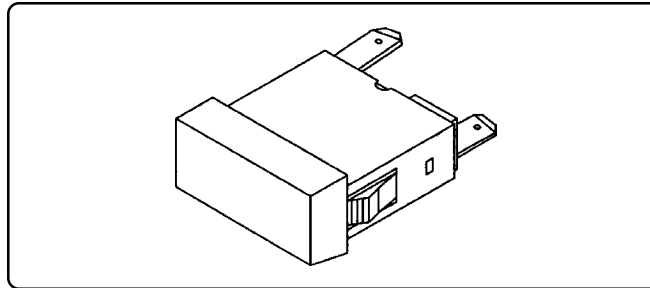
Custom products can also be designed uniquely for you by our Technical Support Professionals. Starting from your ideas and specifications, we work with your personnel to develop timely and cost effective solutions for your miniature lighting needs.

VCC Technical Support Services are provided without charge and may include designs, prototypes and pre-production samples.

For further information, phone Customer Service at 800.522.5546.

Snapfit Indicator Lights for 0.865" x 0.320" Mounting Hole

48 SERIES
Rectangular
Indicator Lights
Neon or
Incandescent



6" Wire Leads or
3/16" Tab Terminals
SnapFit Mounting
Variety of
Lens Colors

Part Number With Wire Leads	Part Number With 3/16" Tab Terminals	Lens Color	Lamp Type	Design Volts	Design Watts or Amps	Life (hrs)
48-2	48-2T	Natural	Neon	125	1/3W	25,000
48H-2	48H-2T	Natural	Neon	250	1/3W	25,000
48G1-2	48G1-2T	Natural	Incandescent	6	.20A	5,000
48G3-2	48G3-2T	Natural	Incandescent	14	.10A	10,000
48G18-2	48G18-2T	Natural	Incandescent	28	.04A	7,000
48-3	48-3T	Red	Neon	125	1/3W	25,000
48H-3	48H-3T	Red	Neon	250	1/3W	25,000
48G1-3	48G1-3T	Red	Incandescent	6	.20A	5,000
48G3-3	48G3-3T	Red	Incandescent	14	.10A	10,000
48G18-3	48G18-3T	Red	Incandescent	28	.04A	7,000
48-4	48-4T	Green	Neon	125	1/3W	25,000
48H-4	48H-4T	Green	Neon	250	1/3W	25,000
48G1-4	48G1-4T	Green	Incandescent	6	.20A	5,000
48G3-4	48G3-4T	Green	Incandescent	14	.10A	10,000
48G18-4	48G18-4T	Green	Incandescent	28	.04A	7,000
48-5	48-5T	Blue	Neon	125	1/3W	25,000
48H-5	48H-5T	Blue	Neon	250	1/3W	25,000
48G1-5	48G1-5T	Blue	Incandescent	6	.20A	5,000
48G3-5	48G3-5T	Blue	Incandescent	14	.10A	10,000
48G18-5	48G18-5T	Blue	Incandescent	28	.04A	7,000
48-9	48-9T	Amber	Neon	125	1/3W	25,000
48H-9	48H-9T	Amber	Neon	250	1/3W	25,000
48G1-9	48G1-9T	Amber	Incandescent	6	.20A	5,000
48G3-9	48G3-9T	Amber	Incandescent	14	.10A	10,000
48G18-9	48G18-9T	Amber	Incandescent	28	.04A	7,000

Can't find it here? We have many more standard and custom solutions

For further information, phone Customer Service at 800.522.5546.