



finder[®]
SWITCH TO THE FUTURE

48
SERIES

Relay Interface Modules 8 - 10 - 16 A



Control panels



Carousel
warehouses



Medical and
dentistry



Shipyards



Elevators and
lifts



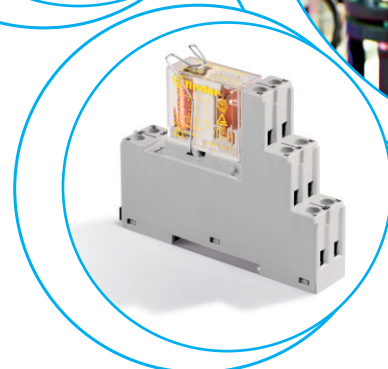
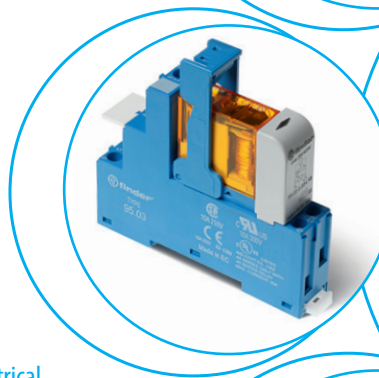
Panels for electrical
distribution



Building
automation



Hoists and cranes



**2 CO relay interface modules,
15.8 mm wide**

Type 48.12

Ideals for safety applications

- 2 CO 8 A
- Screw terminals
- Relay with forcibly guided contacts according to EN 61810-3 Type B (previously EN 50205)

Type 48.32

Ideals for energetic applications

- 2 CO 8 A
- Screw terminals
- Supply status indication EMC coil suppression module as standard

- DC coils
- Identification label
- UL Listing (certain relay / socket combinations)
- 35 mm rail (EN 60715) mounting
- Cadmium-free contact material

48.12/32
Screw terminal



According to EN 61810-3 only 1 NO and 1 NC (11-14 and 21-22 or 11-12 and 21-24) shall be used as forcibly guided contacts (Type 48.12).

For outline drawing see page 11

Contact specification

Contact configuration		2 CO (DPDT)	2 CO (DPDT)
Rated current/Maximum peak current	A	8/15	8/15
Rated voltage/ Maximum switching voltage	V AC	250/400	250/400
Rated load AC1	VA	2000	2000
Rated load AC15 (230 V AC)	VA	500	500
Single phase motor rating (230 V AC)	kW	0.37	0.37
Breaking capacity DC1: 30/110/220 V	A	8/0.65/0.4	8/0.65/0.4
Minimum switching load	mW (V/mA)	50 (5/5)	50 (5/5)
Standard contact material		AgNi+Au	AgNi+Au

Coil specification

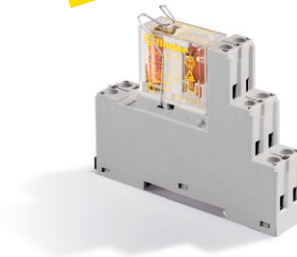
Nominal voltage (U_N)	V DC	24	24
Rated power DC	W	0.7	0.7
Operating range	DC	$(0.75 \dots 1.2)U_N$	$(0.75 \dots 1.2)U_N$
Holding voltage	DC	$0.4 U_N$	$0.4 U_N$
Must drop-out voltage	DC	$0.1 U_N$	$0.1 U_N$

Technical data

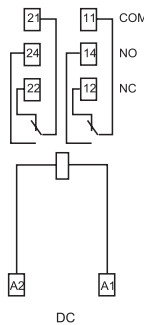
Mechanical life DC	cycles	$10 \cdot 10^6$	$10 \cdot 10^6$
Electrical life at rated load AC1	cycles	$100 \cdot 10^3$	$100 \cdot 10^3$
Operate/release time	ms	10/4	10/4
Insulation between coil and contacts (1.2/50 μs)	kV	6 (8 mm)	6 (8 mm)
Dielectric strength between open contacts	V AC	1500	1500
Ambient temperature range	°C	-40...+70	-40...+70
Protection category		IP 20	IP 20

Approvals relay (according to type)

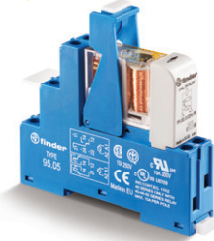
NEW 48.12



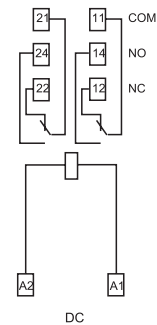
- 2 CO 8 A
- Screw terminals



NEW 48.32



- 2 CO 8 A
- Screw terminals



**1 CO relay interface modules,
15.8 mm wide**
Ideal interface for PLC and electronic systems

Type 48.P3

- 1 CO 10 A
- Push-in terminals

Type 48.31

- 1 CO 10 A
- Screw terminals

- AC coils or DC sensitive coils
- Supply status indication and EMC coil suppression module as standard
- Identification label
- UL Listing (certain relay/socket combinations)
- 35 mm rail (EN 60715) mounting
- Cadmium-free contact material

48.P3
Push-in terminal

48.31
Screw terminal

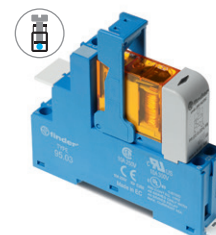


48.P3

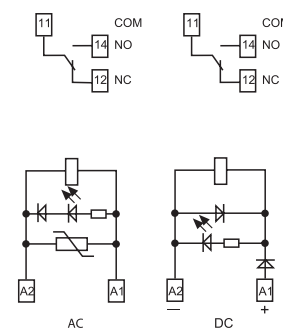
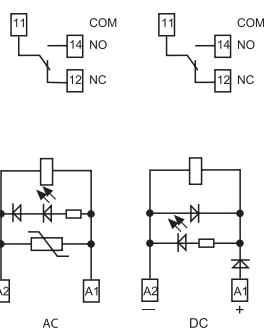


- 1 CO 10 A
- Push-in terminals

48.31



- 1 CO 10 A
- Screw terminals



For outline drawing see page 11

Contact specification

Contact configuration		1 CO (SPDT)	1 CO (SPDT)
Rated current/Maximum peak current	A	10/20	10/20
Rated voltage/ Maximum switching voltage	V AC	250/400	250/400
Rated load AC1	VA	2500	2500
Rated load AC15 (230 V AC)	VA	500	500
Single phase motor rating (230 V AC)	kW	0.37	0.37
Breaking capacity DC1: 30/110/220 V	A	10/0.3/0.12	10/0.3/0.12
Minimum switching load	mW (V/mA)	300 (5/5)	300 (5/5)
Standard contact material		AgNi	AgNi

Coil specification

Nominal voltage (U _N)	V AC (50/60 Hz)	12 - 24 - 110 - 120 - 230	12 - 24 - 110 - 120 - 230
	V DC	12 - 24 - 125	12 - 24 - 125
Rated power AC/sens. DC	VA (50 Hz)/W	1.2/0.5	1.2/0.5
Operating range	AC	(0.8...1.1)U _N	(0.8...1.1)U _N
	sens. DC	(0.73...1.5)U _N	(0.73...1.5)U _N
Holding voltage	AC/DC	0.8 U _N / 0.4 U _N	0.8 U _N / 0.4 U _N
Must drop-out voltage	AC/DC	0.2 U _N / 0.1 U _N	0.2 U _N / 0.1 U _N

Technical data

Mechanical life	cycles	10 · 10 ⁶	10 · 10 ⁶
Electrical life at rated load AC1	cycles	200 · 10 ³	200 · 10 ³
Operate/release time	ms	7/4 (AC) - 12/12 (DC)	7/4 (AC) - 12/12 (DC)
Insulation between coil and contacts (1.2/50 μs)	kV	6 (8 mm)	6 (8 mm)
Dielectric strength between open contacts	V AC	1000	1000
Ambient temperature range	°C	-40...+70	-40...+70
Protection category		IP 20	IP 20

Approvals relay (according to type)



**2 CO relay interface modules,
15.8 mm wide**
Ideal interface for PLC and electronic systems

Type 48.P5

- 2 CO 8 A
- Push-in terminals

Type 48.52

- 2 CO 8 A
- Screw terminals

- AC coils or DC sensitive coils
- Supply status indication and EMC coil suppression module as standard
- Identification label
- UL Listing (certain relay/socket combinations)
- 35 mm rail (EN 60715) mounting
- Cadmium-free contact material

48.P5

Push-in terminal

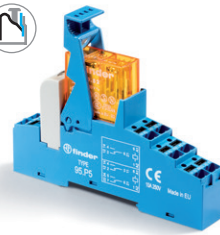


48.52

Screw terminal

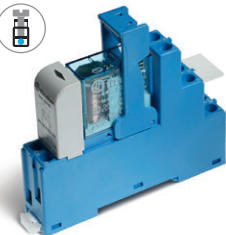


48.P5

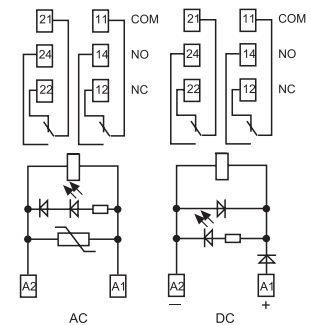
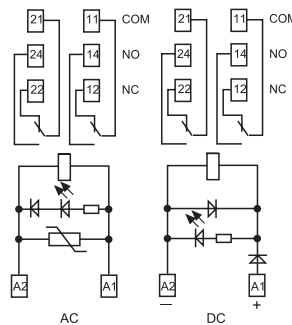


- 2 CO 8 A
- Push-in terminals

48.52



- 2 CO 8 A
- Screw terminals



For outline drawing see page 11

Contact specification

Contact configuration		2 CO (DPDT)	2 CO (DPDT)
Rated current/Maximum peak current	A	8/15	8/15
Rated voltage/ Maximum switching voltage	V AC	250/250	250/250
Rated load AC1	VA	2000	2000
Rated load AC15 (230 V AC)	VA	400	400
Single phase motor rating (230 V AC)	kW	0.3	0.3
Breaking capacity DC1: 30/110/220 V	A	8/0.3/0.12	8/0.3/0.12
Minimum switching load	mW (V/mA)	300 (5/5)	300 (5/5)
Standard contact material		AgNi	AgNi

Coil specification

Nominal voltage (U_N)	V AC (50/60 Hz)	12 - 24 - 110 - 120 - 230	12 - 24 - 110 - 120 - 230
	V DC	12 - 24 - 125	12 - 24 - 125
Rated power AC/sens. DC	VA (50 Hz)/W	1.2/0.5	1.2/0.5
Operating range	AC	$(0.8...1.1)U_N$	$(0.8...1.1)U_N$
	sens. DC	$(0.73...1.5)U_N$	$(0.73...1.5)U_N$
Holding voltage	AC/DC	$0.8 U_N / 0.4 U_N$	$0.8 U_N / 0.4 U_N$
Must drop-out voltage	AC/DC	$0.2 U_N / 0.1 U_N$	$0.2 U_N / 0.1 U_N$

Technical data

Mechanical life	cycles	$10 \cdot 10^6$	$10 \cdot 10^6$
Electrical life at rated load AC1	cycles	$100 \cdot 10^3$	$100 \cdot 10^3$
Operate/release time	ms	7/4 (AC) - 12/12 (DC)	7/4 (AC) - 12/12 (DC)
Insulation between coil and contacts (1.2/50 μ s)	kV	6 (8 mm)	6 (8 mm)
Dielectric strength between open contacts	V AC	1000	1000
Ambient temperature range	$^{\circ}$ C	-40...+70	-40...+70
Protection category		IP 20	IP 20

Approvals relay (according to type)



**1 CO relay interface modules,
15.8 mm wide**
Ideal interface for PLC and electronic systems

Type 48.P6

- 1 CO 16 A
- Push-in terminals

Type 48.61

- 1 CO 16 A
- Screw terminals

- AC coils or DC sensitive coils
- Supply status indication and EMC coil suppression module as standard
- Identification label
- UL Listing (certain relay/socket combinations)
- 35 mm rail (EN 60715) mounting
- Cadmium-free contact material available

48.P6
Push-in terminal



48.61
Screw terminal



For outline drawing see page 11

Contact specification

Contact configuration		1 CO (SPDT)
Rated current/Maximum peak current	A	16*/30
Rated voltage/ Maximum switching voltage	V AC	250/400
Rated load AC1	VA	4000
Rated load AC15 (230 V AC)	VA	750
Single phase motor rating (230 V AC)	kW	0.55
Breaking capacity DC1: 30/110/220 V	A	16/0.3/0.12
Minimum switching load	mW (V/mA)	500 (10/5)
Standard contact material		AgCdO

Coil specification

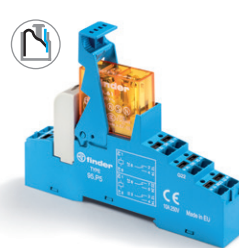
Nominal voltage (U _N)	V AC (50/60 Hz)	12 - 24 - 110 - 120 - 230
	V DC	12 - 24 - 125
Rated power AC/sens. DC	VA (50 Hz)/W	1.2/0.5
Operating range	AC	(0.8...1.1)U _N
	sens. DC	(0.8...1.5)U _N
Holding voltage	AC/DC	0.8 U _N / 0.4 U _N
Must drop-out voltage	AC/DC	0.2 U _N / 0.1 U _N

Technical data

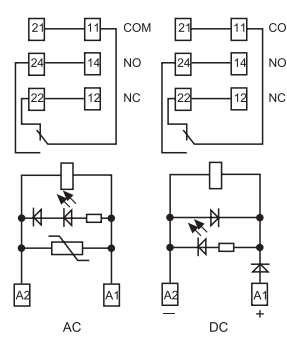
Mechanical life	cycles	10 · 10 ⁶
Electrical life at rated load AC1	cycles	100 · 10 ³
Operate/release time	ms	7/4 (AC) - 12/12 (DC)
Insulation between coil and contacts (1.2/50 μs)	kV	6 (8 mm)
Dielectric strength between open contacts	V AC	1000
Ambient temperature range	°C	-40...+70
Protection category		IP 20

Approvals relay (according to type)

48.P6



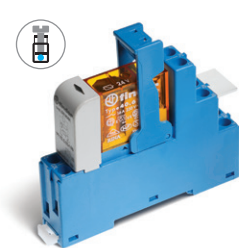
- 1 CO 16 A
- Push-in terminals



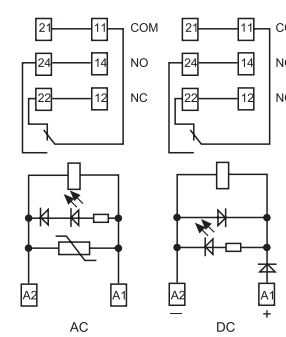
* For currents > 10 A, contact terminals must be connected in parallel (21 with 11, 24 with 14, 22 with 12).

Contact configuration	1 CO (SPDT)
Rated current/Maximum peak current	16*/30
Rated voltage/ Maximum switching voltage	250/400
Rated load AC1	4000
Rated load AC15 (230 V AC)	750
Single phase motor rating (230 V AC)	0.55
Breaking capacity DC1: 30/110/220 V	16/0.3/0.12
Minimum switching load	500 (10/5)
Standard contact material	AgCdO
Nominal voltage (U _N)	V AC (50/60 Hz): 12 - 24 - 110 - 120 - 230 V DC: 12 - 24 - 125
Rated power AC/sens. DC	VA (50 Hz)/W: 1.2/0.5
Operating range	AC: (0.8...1.1)U _N sens. DC: (0.8...1.5)U _N
Holding voltage	AC/DC: 0.8 U _N / 0.4 U _N
Must drop-out voltage	AC/DC: 0.2 U _N / 0.1 U _N
Mechanical life	cycles: 10 · 10 ⁶
Electrical life at rated load AC1	cycles: 100 · 10 ³
Operate/release time	ms: 7/4 (AC) - 12/12 (DC)
Insulation between coil and contacts (1.2/50 μs)	kV: 6 (8 mm)
Dielectric strength between open contacts	V AC: 1000
Ambient temperature range	°C: -40...+70
Protection category	IP 20
Approvals relay (according to type)	CE, EAC, ENEC, RINA, cULus, VDE, UL, etc.

48.61



- 1 CO 16 A
- Screw terminals



* For currents > 10 A, contact terminals must be connected in parallel (21 with 11, 24 with 14, 22 with 12).

Contact configuration	1 CO (SPDT)
Rated current/Maximum peak current	16*/30
Rated voltage/ Maximum switching voltage	250/400
Rated load AC1	4000
Rated load AC15 (230 V AC)	750
Single phase motor rating (230 V AC)	0.55
Breaking capacity DC1: 30/110/220 V	16/0.3/0.12
Minimum switching load	500 (10/5)
Standard contact material	AgCdO
Nominal voltage (U _N)	V AC (50/60 Hz): 12 - 24 - 110 - 120 - 230 V DC: 12 - 24 - 125
Rated power AC/sens. DC	VA (50 Hz)/W: 1.2/0.5
Operating range	AC: (0.8...1.1)U _N sens. DC: (0.8...1.5)U _N
Holding voltage	AC/DC: 0.8 U _N / 0.4 U _N
Must drop-out voltage	AC/DC: 0.2 U _N / 0.1 U _N
Mechanical life	cycles: 10 · 10 ⁶
Electrical life at rated load AC1	cycles: 100 · 10 ³
Operate/release time	ms: 7/4 (AC) - 12/12 (DC)
Insulation between coil and contacts (1.2/50 μs)	kV: 6 (8 mm)
Dielectric strength between open contacts	V AC: 1000
Ambient temperature range	°C: -40...+70
Protection category	IP 20
Approvals relay (according to type)	CE, EAC, ENEC, RINA, cULus, VDE, UL, etc.

**2 CO relay interface modules,
15.8 mm wide**
Ideal interface for PLC and electronic systems

Type 48.P8

- 2 CO 10 A
- Push-in terminals

Type 48.62

- 2 CO 10 A
- Screw terminals

- DC sensitive coils
- Supply status indication and EMC coil suppression module as standard
- Identification label
- UL Listing (certain relay/socket combinations)
- 35 mm rail (EN 60715) mounting
- Cadmium-free contact material

48.P8

Push-in terminal

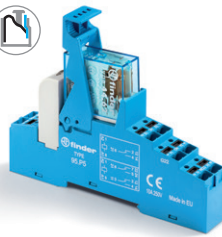


48.62

Screw terminal

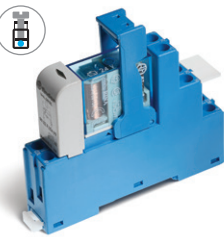


48.P8

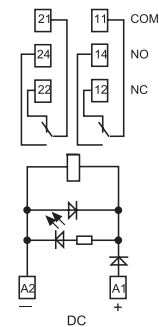
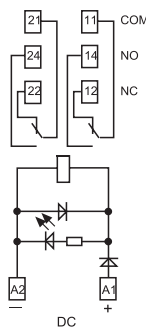


- 2 CO 10 A
- Push-in terminals

48.62



- 2 CO 10 A
- Screw terminals



For outline drawing see page 11

Contact specification

Contact configuration		2 CO (DPDT)	2 CO (DPDT)
Rated current/Maximum peak current	A	10/20	10/20
Rated voltage/ Maximum switching voltage	V AC	250/400	250/400
Rated load AC1	VA	2500	2500
Rated load AC15 (230 V AC)	VA	750	750
Single phase motor rating (230 V AC)	kW	0.37	0.37
Breaking capacity DC1: 30/110/220 V	A	10/0.6/0.25	10/0.6/0.25
Minimum switching load	mW (V/mA)	300 (5/5)	300 (5/5)
Standard contact material		AgNi	AgNi

Coil specification

Nominal voltage (U _N)	V AC (50/60 Hz)	—	—
	V DC	12 - 24 - 125	12 - 24 - 125
Rated power AC/sens. DC	VA (50 Hz)/W	—/0.5	—/0.5
Operating range	AC	—	—
	sens. DC	(0.8...1.5)U _N	(0.8...1.5)U _N
Holding voltage	AC/DC	—/0.4 U _N	—/0.4 U _N
Must drop-out voltage	AC/DC	—/0.1 U _N	—/0.1 U _N

Technical data

Mechanical life	cycles	10 · 10 ⁶	10 · 10 ⁶
Electrical life at rated load AC1	cycles	100 · 10 ³	100 · 10 ³
Operate/release time	ms	12/12 (DC)	12/12 (DC)
Insulation between coil and contacts (1.2/50 μs)	kV	6 (8 mm)	6 (8 mm)
Dielectric strength between open contacts	V AC	1000	1000
Ambient temperature range	°C	-40...+70	-40...+70
Protection category		IP 20	IP 20

Approvals relay (according to type)



Ordering information

Example: 48 series, 35 mm rail (EN 60715) mount, Push-in terminal relay interface module, 2 CO 8 A contacts, 24 V sensitive DC coil, green LED + diode, 99.02 coil indication.

B

4 8 . P

5 . 7 . 0 2 4 . 0 0

5 0

Series

Type
Screw terminal
1 = 35 mm rail (EN 60715) mount, forcibly guided contacts relay
3 = 35 mm rail (EN 60715) mount
5 = 35 mm rail (EN 60715) mount
6 = 35 mm rail (EN 60715) mount
Push-in terminal
P = 35 mm rail (EN 60715) mount

Type
Screw terminal
1 = for 48.31, 1 pole, 10 A
48.61, 1 pole, 16 A
2 = for 48.12/48.32 (DC only), 48.52, 2 poles, 8 A
48.62 (DC only), 2 poles, 10 A
Push-in terminal
3 = for 48.P3, 1 pole, 10 A
5 = for 48.P5, 2 pole, 8 A
6 = for 48.P6, 1 pole, 16 A
8 = for 48.P8 (DC only), 2 pole, 10 A

Coil version
7 = Sensitive DC
8 = AC (50/60 Hz)
9 = DC (for 48.12 only)

Coil voltage
See coil specifications

A: Contact material
0 = Standard AgNi for 48.P3/P5/P8/31/52/62
AgCdO, Standard for 48.P6/61
4 = AgSnO₂, for 48.P6/P8/61/62 only
5 = AgNi + Au, for 48.12 and 48.P3/P5/31/52 only
Standard for 48.32

B: Contact circuit
0 = CO (nPDT)

D: Special versions
0 = Standard
7 = Standard (for 48.12 only)

C: Options
0 = Standard (for 48.12 only)
5 = Standard for DC: green LED + diode (polarity +A1)
6 = Standard for AC and 48.32: green LED + Varistor

Selecting features and options: only combinations in the same row are possible.
Preferred selections for best availability are shown in **bold**.

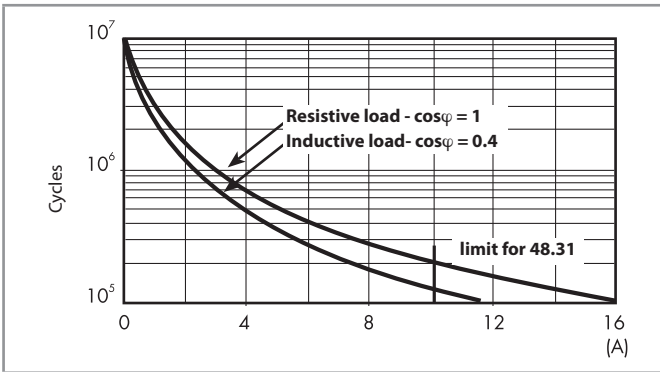
Type	Coil version	A	B	C	D
48.12	DC	5	0	6	7
48.32	DC	5	0	6	0
48.P3/P5/31/52	AC	0 - 5	0	6	0
48.P3/P5/31/52	Sensitive DC	0 - 5	0	5	0
48.P6/61	AC	0 - 4	0	6	0
48.P6/61	Sensitive DC	0 - 4	0	5	0
48.P8/62	Sensitive DC	0 - 4	0	5	0

Technical data

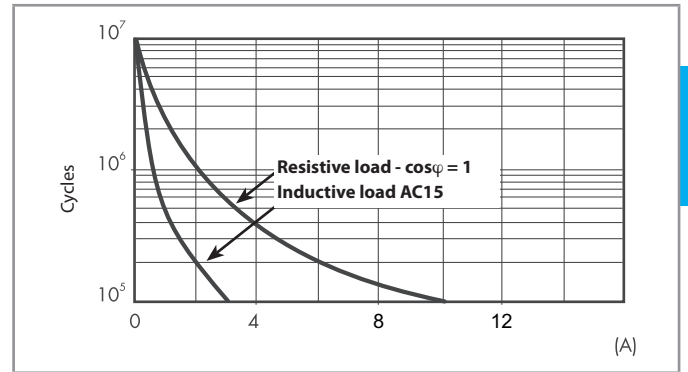
Insulation	48.12/31/32/61/P3/P6		48.52/P5		48.12/31/61/62/P3/P6/P8	
Insulation according to EN 61810-1	insulation rated voltage	V	250	250	400	
	rated impulse withstand voltage	kV	4	4	4	
	pollution degree		3	2	2	
	overvoltage category		III	III	III	
Insulation between coil and contacts (1.2/50 μs)	kV	6 (8 mm)				
Dielectric strength between open contacts	V AC	1000; 1500 (48.12/32)				
Dielectric strength between adjacent contacts	V AC	2000 (48.P5/52); 3000 (48.12/32/P6)				
Insulation between coil terminals						
Rated impulse voltage (surge) differential mode (according to EN 61000-4-5)	kV(1.2/50 μs)	2				
Other data						
Bounce time: NO/NC	ms	2/5; 2/10 (48.12/32)				
Vibration resistance (10...200)Hz: NO/NC	g	20/5 (for 1 pole)		15/3; 20/6 (48.12/32) for 2 pole		
Power lost to the environment	without contact current	W	0.7			
	with rated current	W	1.2 (48.12/31/32/P3)		2 (48.52/P5/61/62/P6/P8)	
Wire strip length	mm	8				
Screw torque (only for 48.12/31/32/52/61/81)	Nm	0.5				
Min. wire size	Screw terminal		Push-in terminal			
		solid cable	stranded cable	solid cable	stranded cable	
	mm ²	0.5	0.5	0.5	0.5	
	AWG	21	21	21	21	
Max. wire size	Screw terminal		Push-in terminal			
		solid cable	stranded cable	solid cable	stranded cable	
	mm ²	1 x 6 / 2 x 2.5	1 x 4 / 2 x 2.5	2 x 1.5 / 1 x 2.5	2 x 1.5 / 1 x 2.5	
	AWG	1 x 10 / 2 x 14	1 x 12 / 2 x 14	2 x 16 / 1 x 14	2 x 16 / 1 x 14	

Contact specification

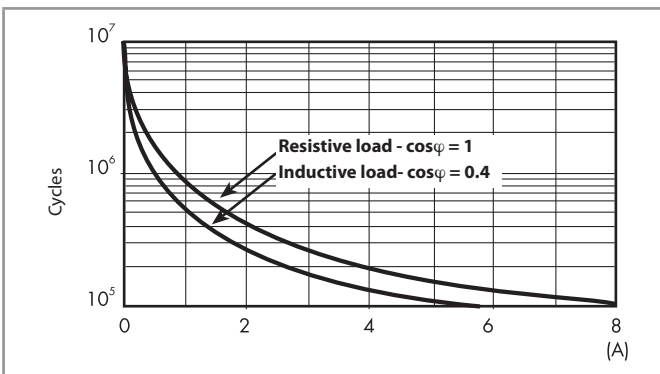
F 48 - Electrical life (AC) v contact current
Types 48.P3/P6/31/61



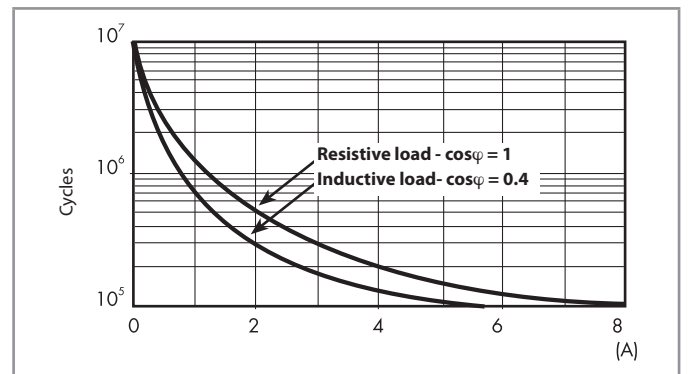
F 48 - Electrical life (AC) v contact current
Types 48.P8/62



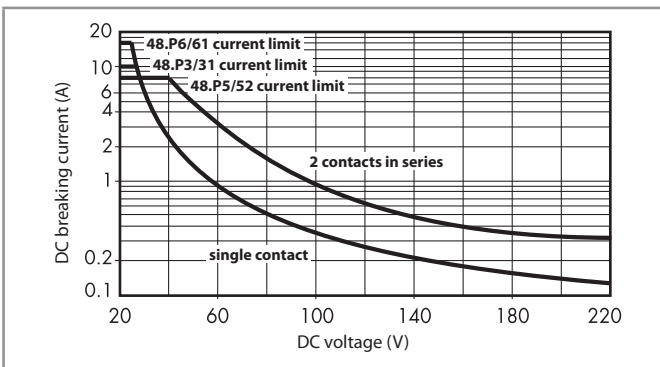
F 48 - Electrical life (AC) v contact current
Types 48.P5/52



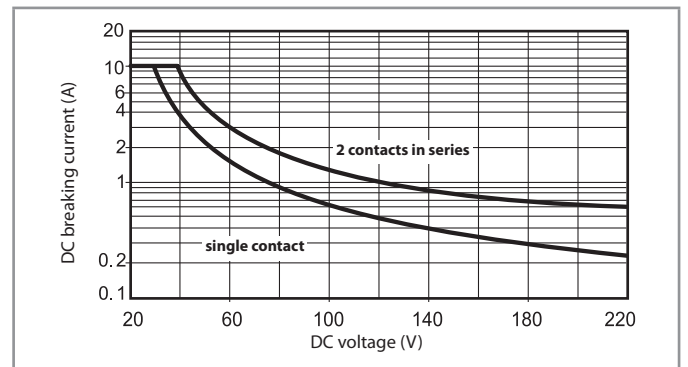
F 48 - Electrical life (AC) v contact current
Type 48.12/32



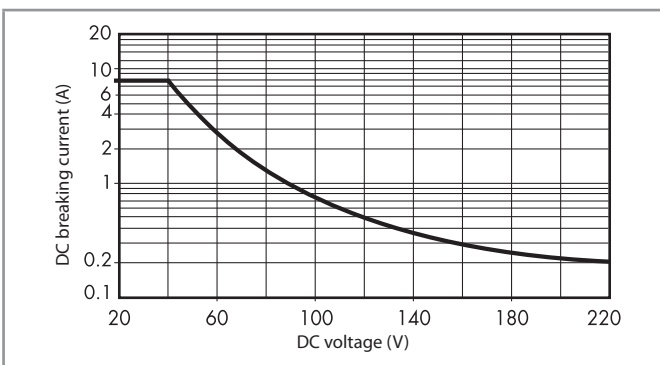
H 48 - Maximum DC1 breaking capacity
Types 48.P3/P5/P6/31/52/61



H 48 - Maximum DC1 breaking capacity
Types 48.P8/62



H 48 - Maximum DC1 breaking capacity
Type 48.12/32



- When switching a resistive load (DC1) having voltage and current values under the curve, an electrical life of $\geq 100 \cdot 10^3$ can be expected.
 - In the case of DC13 loads, the connection of a diode in parallel with the load will permit a similar electrical life as for a DC1 load.
- Note: the release time for the load will be increased.

Coil specifications

DC coil data (0.5 W sensitive)

Nominal voltage U_N	Coil code	Operating range		Rated coil consumption I at U_N
		U_{min}^*	U_{max}	
V		V	V	mA
12	7.012	8.8	18	41
24	7.024	17.5	36	22.2
125	7.125	91	188	4

* $U_{min} = 0.8 U_N$ for 48.61, 48.62, 48.P6, 48.P8

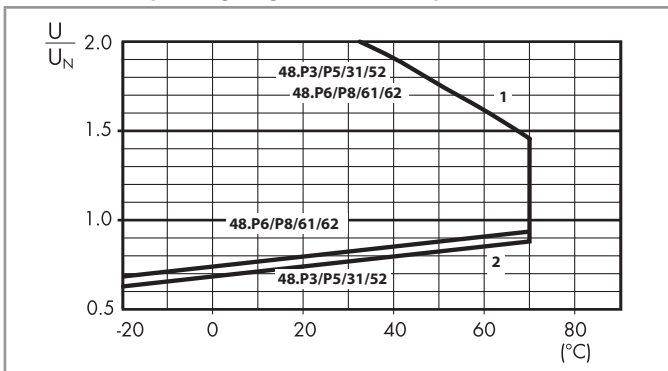
AC coil data

Nominal voltage U_N	Coil code	Operating range		Rated coil consumption I at U_N (50 Hz)
		U_{min}	U_{max}	
V		V	V	mA
12	8.012	9.6	13.2	90.5
24	8.024	19.2	26.4	46
110	8.110	88	121	10.1
120	8.120	96	132	11.8
230	8.230	184	253	7.0

DC coil data, 2 pole relay - Type 48.12, for 48.32 (24 V only)

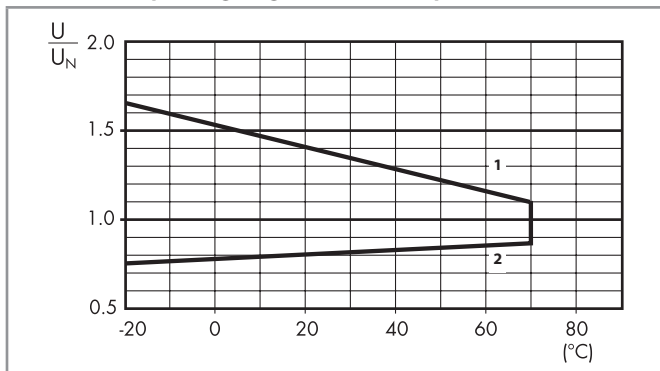
Nominal voltage U_N	Coil code	Operating range		Resistance R	Rated coil consumption I at U_N
		U_{min}	U_{max}		
V		V	V	Ω	mA
12	9.012	9	14.4	205	58.5
24	9.024	18	28.8	820	29.3

R 48 - DC coil operating range v ambient temperature



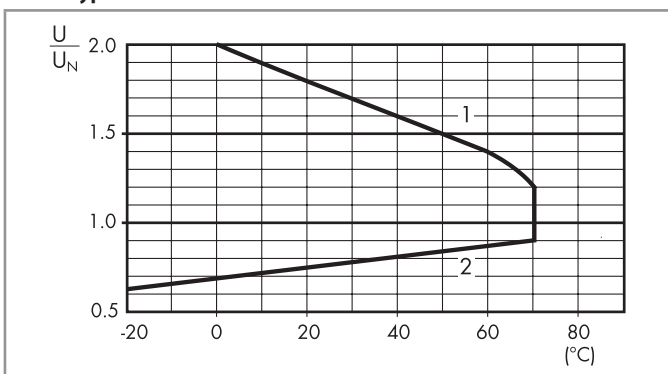
- 1 - Max. permitted coil voltage.
- 2 - Min. pick-up voltage with coil at ambient temperature.

R 48 - AC coil operating range v ambient temperature



- 1 - Max. permitted coil voltage.
- 2 - Min. pick-up voltage with coil at ambient temperature.

R 48 - DC coil operating range v ambient temperature Type 48.12/32



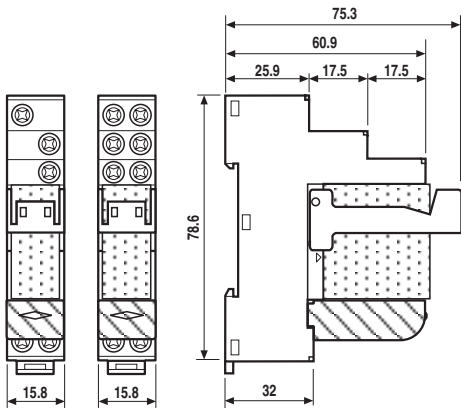
- 1 - Max. permitted coil voltage.
- 2 - Min. pick-up voltage with coil at ambient temperature.

Combinations

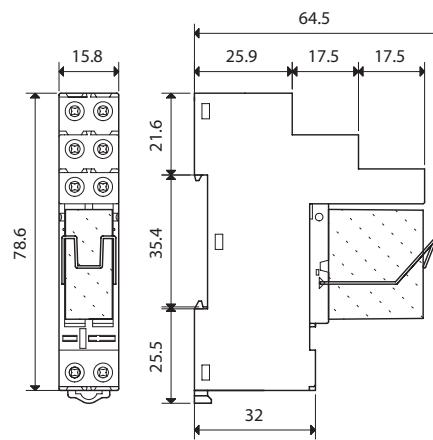
Code	Type of socket	Type of relay	Module	Retaining clip
48.12	95.05.7	50.12	—	095.71
48.32	95.05	50.12	99.02	095.01
48.31	95.03	40.31	99.02	095.01
48.52	95.05	40.52	99.02	095.01
48.61	95.05	40.61	99.02	095.01
48.62	95.05	40.62	99.02	095.01
48.P3	95.P3	40.31	99.02	095.91.3
48.P5	95.P5	40.52	99.02	095.91.3
48.P6	95.P5	40.61	99.02	095.91.3
48.P8	95.P5	40.62	99.02	095.91.3

B

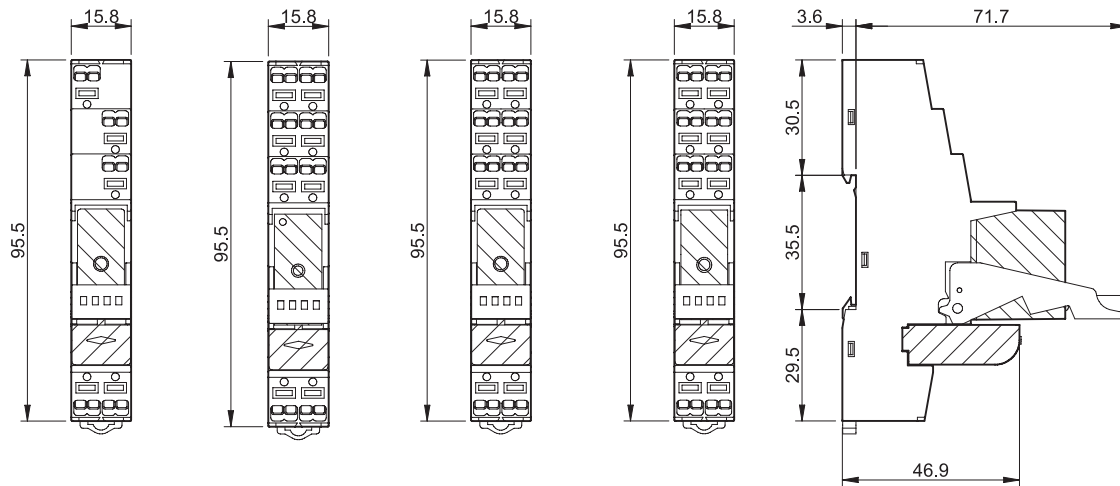
Outline drawing



48.31 48.32 / 48.52 / 48.61 / 48.62
Screw terminal



48.12
Screw terminal



48.P3 48.P5 48.P6 48.P8
Push-in terminal

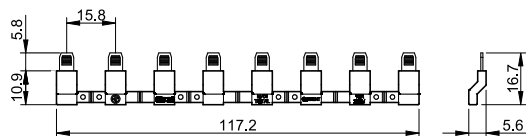


Accessories

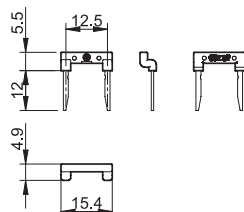


097.58

8-way jumper link for type 48.P3/P5/P6/P8	097.58
Rated values	10 A - 250 V

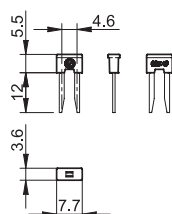


2-way jumper link for type 48.P3/P5/P6/P8	097.52
Rated values	10 A - 250 V



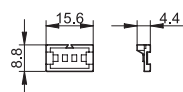
097.52

2-way jumper link for type 48.P3/P5/P6/P8	097.42
Rated values	10 A - 250 V



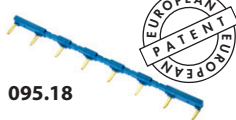
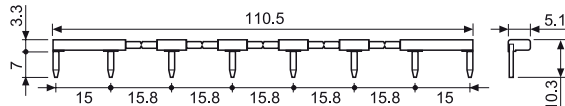
097.42

Marker tag holder for type 48.P3/P5/P6/P8 and 48.12/31/32/52/61/62	097.00
---------------------------------------------------------------------------	--------



097.00

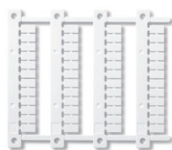
8-way jumper link for screw terminal version	095.18 (blue)	095.18.0 (black)
Rated values	10 A - 250 V	



095.18



Sheet of marker tags (CEMBRE Thermal transfer printers), plastic, 48 tags, 6 x 12 mm	060.48
------------------------------------------------------------------------------------------------	--------



060.48

Packaging codes

How to code and identify retaining clip and packaging options for sockets.

Example:

4 8 . P 5 . 7 . 0 2 4 . 0 0 5 0 S P A

A Standard packaging
B Blister packaging

SP Plastic retaining clip