

# IP54 General Purpose Enclosures Technical Specification

Manufactured from ADC12 aluminium, this range offers a versatile, IP54 enclosure solution for any applications where light protection against dust and low pressure water spray is required.

15 sizes are available, complete with captive screws, earth screws and PCB guides on selected sizes. Nine sizes are also available with flanges for easy mounting.

Deltron Enclosures can customise any enclosure in our UK factory, including machining, painting, component sourcing and installation to meet your specification, save time and cut your costs. View our Services page on our website for more information.



**For more information:**

Phone: +44 (0)1724 273206

#### Features:

- IP54 Rated
- Manufactured from ADC12
- Certified to BS EN 60529:1992
- RoHS Compliant

#### Typical Applications:

- Remote Control Systems
- Keyboards
- Display Boards
- Radio Instrumentation

#### Available Dimensions (mm):

89 x 35 x 30*	114 x 64 x 30*
114 x 89 x 55*	114 x 65 x 55*
172 x 121 x 55*	172 x 121 x 106*
222 x 146 x 55*	222 x 146 x 106
275 x 175 x 65	140 x 102 x 76*
165 x 127 x 76	120 x 100 x 35*
250 x 250 x 99	80 x 55 x 25
60 x 55 x 30	*= Available with Flanges

**Finishes:** Plain Aluminium, Powder or Nylon coat.

**Coating Colours:** Grey, Blue or Black.

Or choose to have your enclosure customised for bespoke finishes and colours.

#### DEM Manufacturing

Deltron Emcon House,  
Hargreaves Way,  
Sawcliffe Industrial Park,  
Scunthorpe, DN15 8RF.

**DELTRON** Enclosures

Web: [www.dem-uk.com/deltron-enclosures](http://www.dem-uk.com/deltron-enclosures)

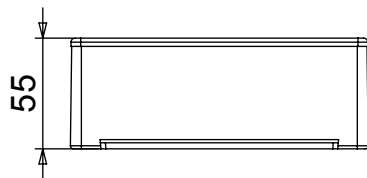
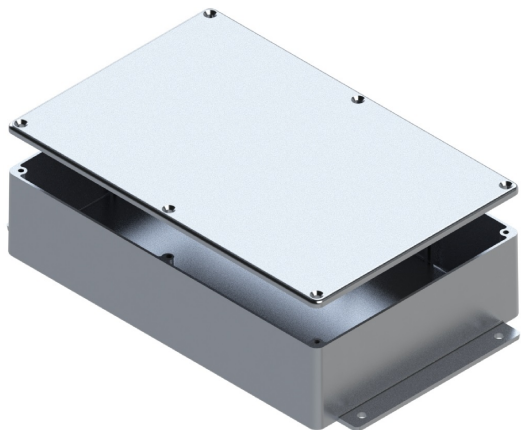
Tel: +44 (0) 1724 273206

Fax: +44 (0) 1724 280353

Email: [sales@dem-uk.com](mailto:sales@dem-uk.com)

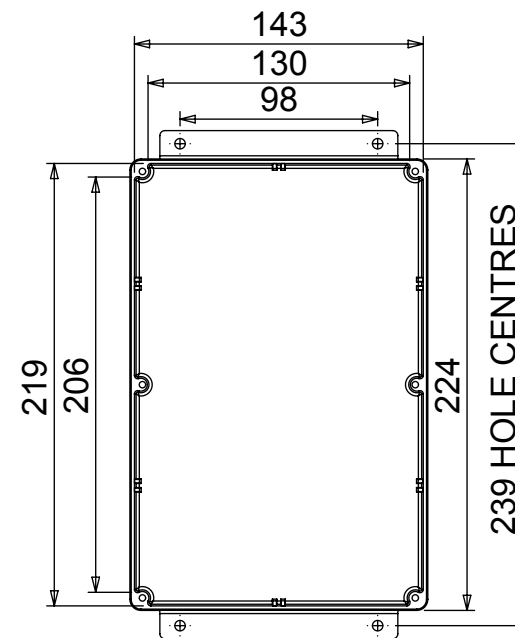
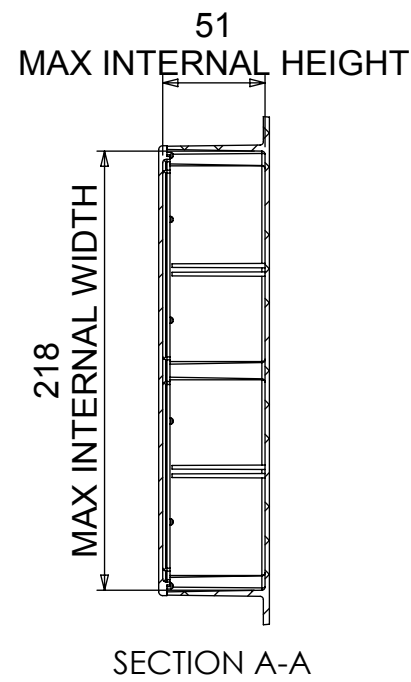
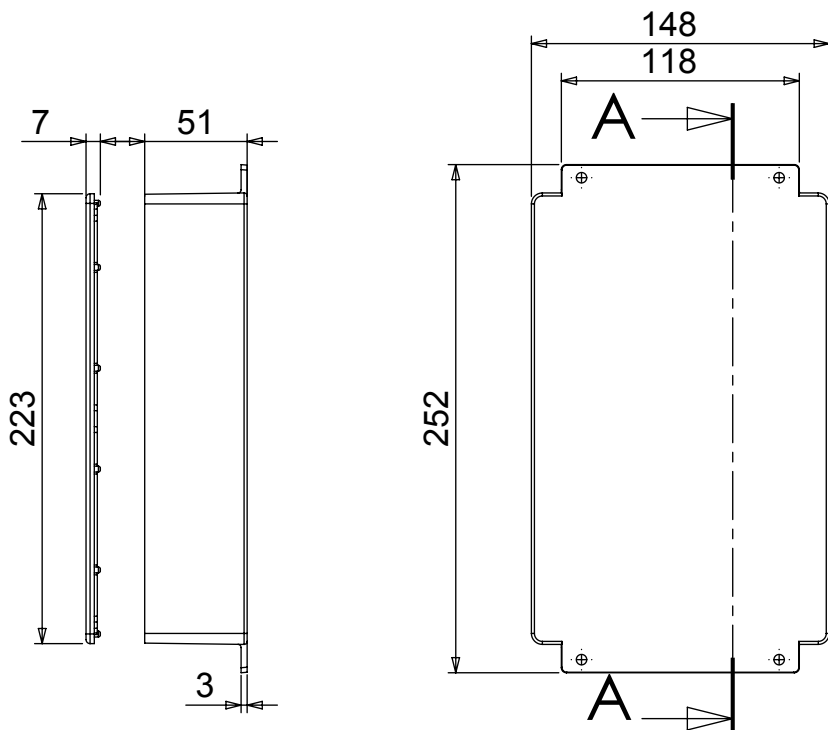
REV	DATE	ECN NUMBER	ECR COMMENT
006	06 Jun 2017	C03614	
005	06 Jun 2017	C03614	BORDER CHANGE

FLG LENGTH	LENGTH	WIDTH	HEIGHT	SEAL	TORQUE SETTINGS	PLAIN	POWDER COAT	NYLON COAT
252	224	148	55	NONE	NONE	455-0070	457-0070*	458-0070*
				IP66	0.3Nm	456-0070	463-0070*	464-0070*
				IP68	0.7Nm	483-0070	484-0070*	485-0070*
				IP68 EMI/RFI	1.0Nm	483-C070	484-C070*	485-C070*
BOX DIMENSION IN MM				COLOUR OPTION - COLOUR SUFFIX * GREY=A / BLUE=B / BLACK = E				



### STANDARD DUTY ENCLOSURE

- Material grade ADC12/LM2 Die Cast Alloy
- IP Rated available
- Min wall thickness 1.5mm
- Min lid thickness 1.5mm
- Fine textured powder coating and smooth nylon
- Screws stainless steel
- IP68 Tested to 5 metres for 1 hour
- Includes internal PCB guides
- Enclosures can be supplied fully factory customised to your specification



+44(0)1724 273200  
 www.dem-uk.com

**PROPRIETARY AND CONFIDENTIAL:**  
 THE INFORMATION CONTAINED IN THIS DRAWING IS THE SOLE PROPERTY OF ALPHA 3 MANUFACTURING. ANY REPRODUCTION IN PART OR AS A WHOLE WITHOUT THE WRITTEN PERMISSION OF ALPHA 3 MANUFACTURING IS PROHIBITED.

DEM Manufacturing is a division of Alpha 3 Manufacturing LTD  
 DEM Manufacturing, Deltron Emcon House, Hangreaves Way,  
 Sawcliffe Ind. Park, Scunthorpe, North Lincolnshire, DN15 8RF, UK

UNLESS OTHERWISE SPECIFIED DIMENSIONS ARE IN MILLIMETRES  
 LINEAR & RADIAL TOLERANCE:  
**NO DECIMAL PLACES**  
**1 DECIMAL PLACE**  
**2 DECIMAL PLACES**  
**ANGULAR TOLERANCE:**

**IF IN DOUBT ASK! DO NOT SCALE DRAWING!**

FINISH	SEE NOTES
MATERIAL	ALUMINIUM ALLOY
THE FINISHED PRODUCT SHOULD BE CLEAN AND FREE FROM ALL LIQUIDS AND DEBRIS. SURFACES SHOULD BE OF UNIFORM APPEARANCE FREE FROM SHARP EDGES, BURRS AND CORROSION	

AUTHOR	Alex Yau	TITLE	FLANGED ENCLOSURE
EDITOR	DT	FILE	G FLG ENCLOSURE
APPROVER	DT	PART	BOX & LID ASSEMBLY
THIRD ANGLE PROJECTION	SHEET 1 OF 1	ISSUE/REV.	006
SCALE	1:3.75 A4	RELEASED	VERSION 25
		EDIT DATE	06 Jun 2017