

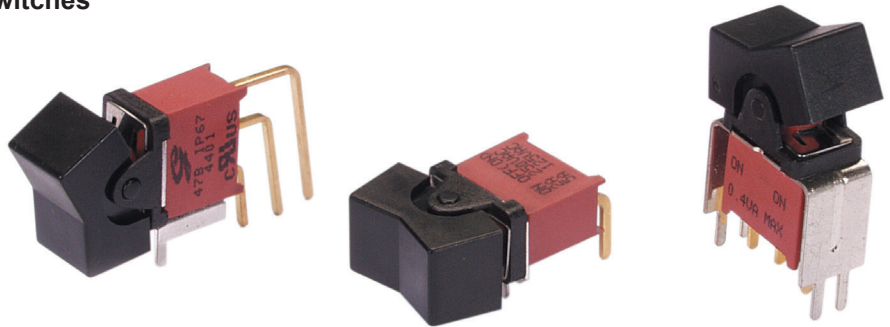


## Series 47B: Sealed Miniature Rocker and Paddle Switches

### SERIES 47B Sealed Miniature Rocker and Paddle Switches

#### FEATURES

- Save Space and Weight
- SPDT, DPDT and 3PDT Circuitry
- Choice of Actuators and Terminations
- Sealed per IP-67



#### MODELS in inches (and millimeters)

MODEL NO.	SWITCH POSITION		
WSP1	ON	NONE	ON
WSP2	ON	NONE	(ON)
WSP3	ON	OFF	ON
WSP4	(ON)	OFF	(ON)
WSP5	ON	OFF	(ON)
TERM. COMM.	2-3	OPEN	2-1

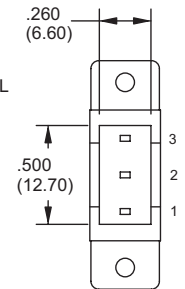
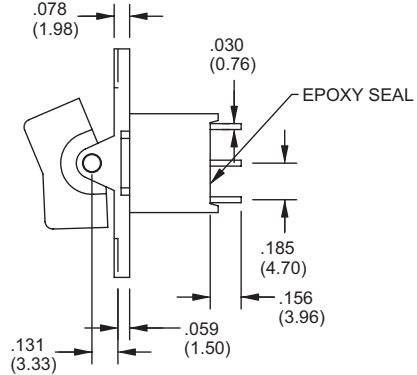
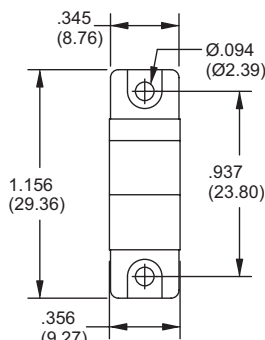
( )=MOMENTARY

02COMM.

SCHEMATIC



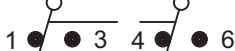
#### SPDT



MODEL NO.	SWITCH POSITION		
WDP1	ON	NONE	ON
WDP2	ON	NONE	(ON)
WDP3	ON	OFF	ON
WDP4	(ON)	OFF	(ON)
WDP5	ON	OFF	(ON)
TERM. COMM.	2-3,5-6	OPEN	2-1,5-4

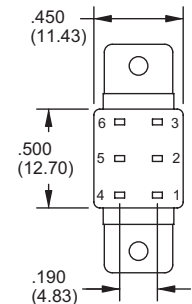
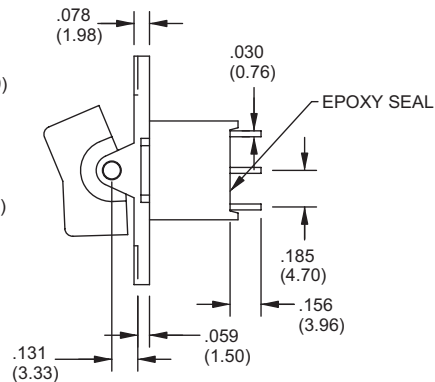
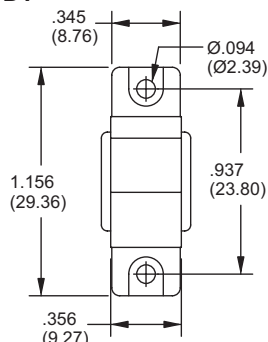
( )=MOMENTARY

02COMM. 05COMM.



SCHEMATIC

#### DPDT



MODEL NO.	SWITCH POSITION		
W3P1	ON	NONE	ON
W3P2	ON	NONE	(ON)
W3P3	ON	OFF	ON
W3P4	(ON)	OFF	(ON)
W3P5	ON	OFF	(ON)
TERM. COMM.	2-3,5-6	OPEN	2-1,5-4

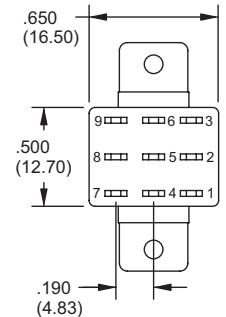
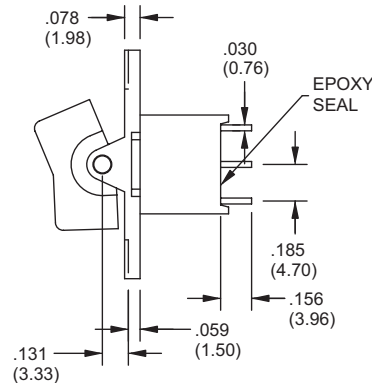
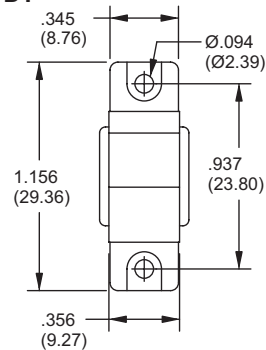
( )=MOMENTARY

02COMM. 05COMM. 08COMM.



SCHEMATIC

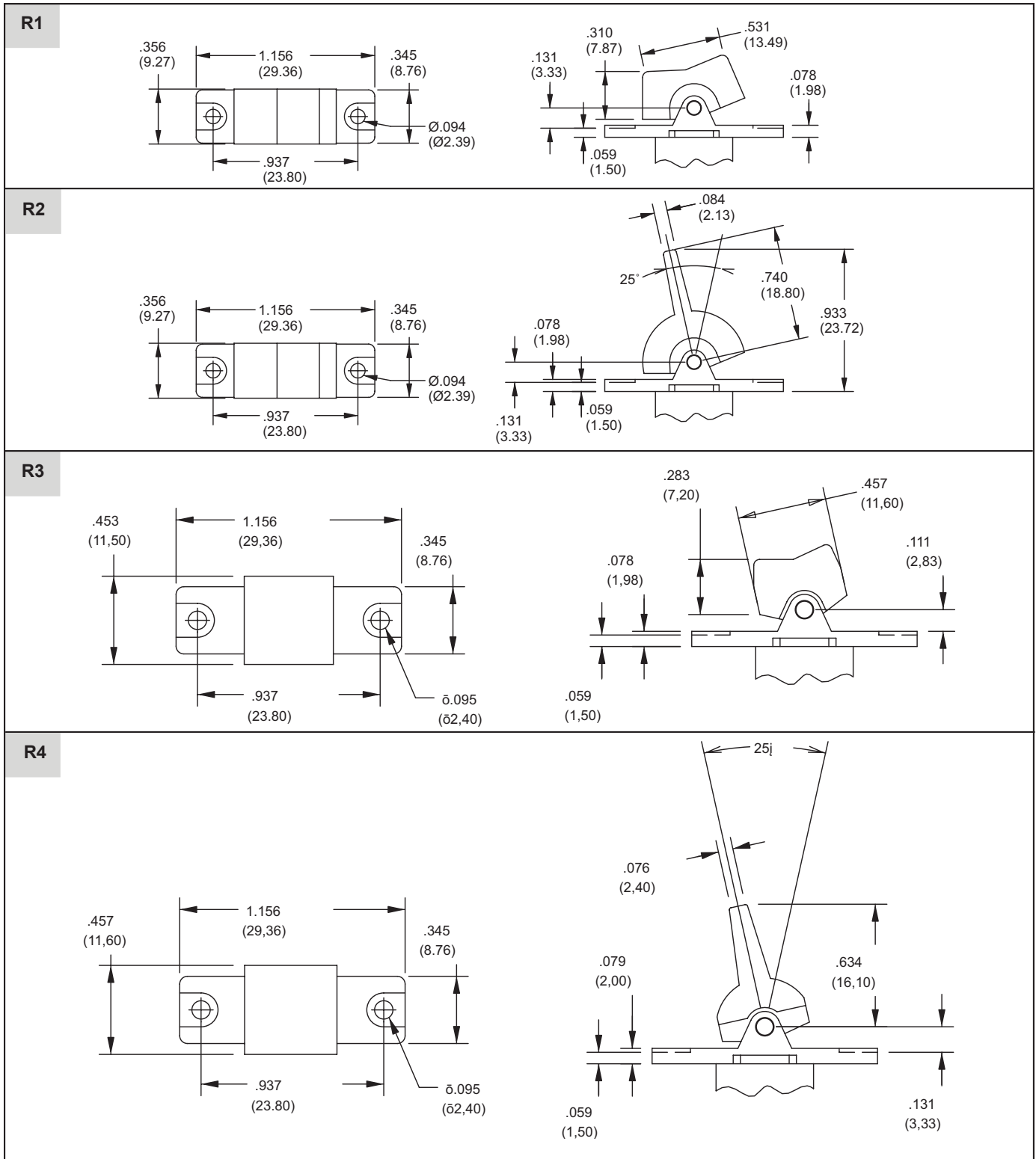
#### 3PDT



## Series 47B: Sealed Miniature Rocker and Paddle Switches



### ACTUATOR OPTIONS in inches (and millimeters)



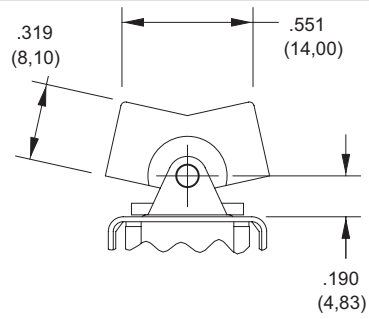
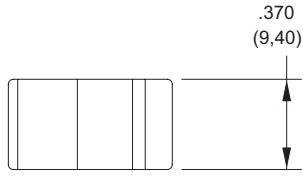
Rocker and Paddle Switches



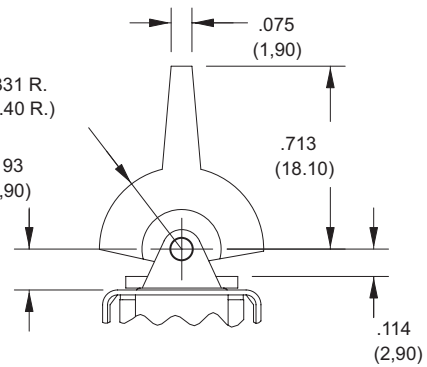
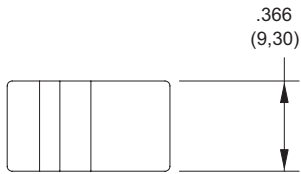
## Series 47B: Sealed Miniature Rocker and Paddle Switches

### ACTUATOR OPTIONS in inches (and millimeters)

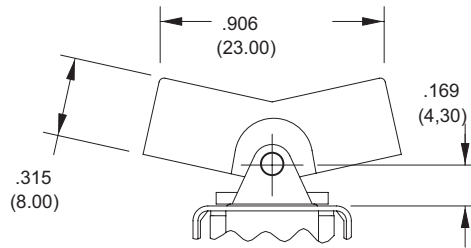
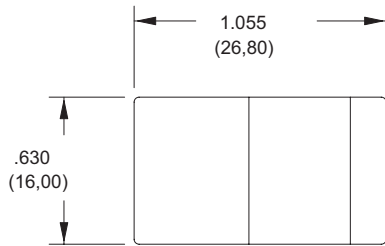
J1



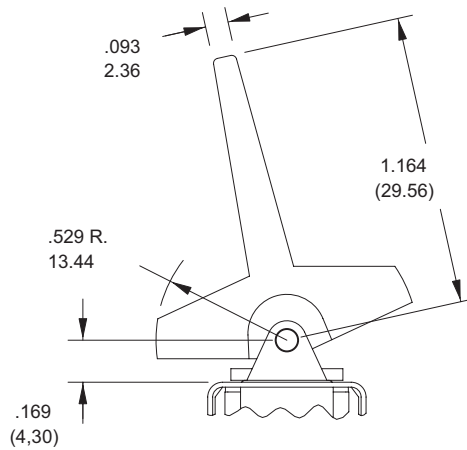
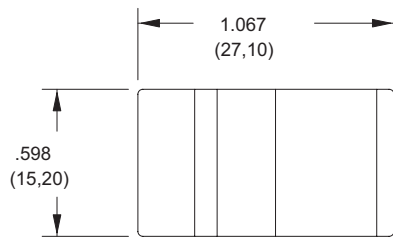
J2



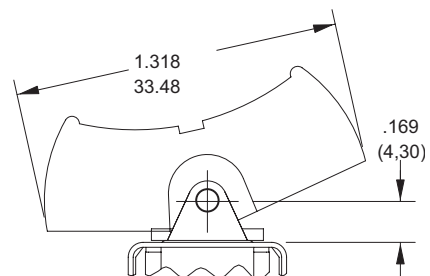
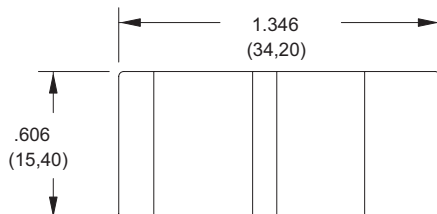
J3



J4



J5



# Series 47B: Sealed Miniature Rocker and Paddle Switches



## TERMINATION OPTIONS in inches (and millimeters)

**M1**

**M2**

**M3**

**WX**

OPTION CODE	DIM. "A"
W1	.750(19.05)
W2	.964(24.48)
W3	.425(10.80)
W4	1.062(26.97)

**M6 Right Angle P.C. Mount, Horizontal Actuation**

**SPDT**

**DPDT**

**3PDT**

**M7 Right Angle P.C. Mount, Vertical Actuation**

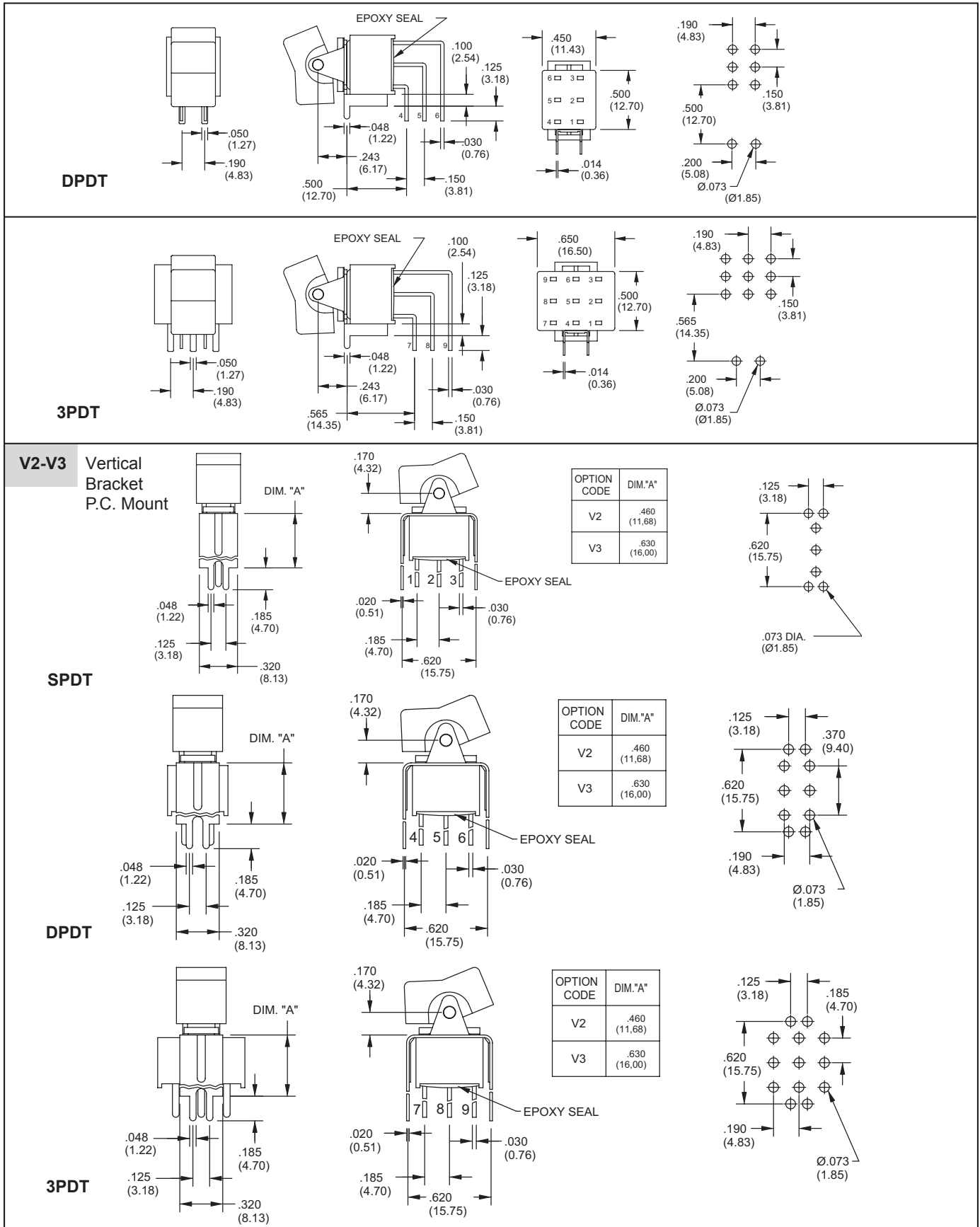
**SPDT**

Rocker and Paddle Switches



## Series 47B: Sealed Miniature Rocker and Paddle Switches

### TERMINATION OPTIONS in inches (and millimeters)



## Series 47B: Sealed Miniature Rocker and Paddle Switches



### SPECIFICATIONS

#### RATINGS

**Contact Rating:** Q option - 5A with resistive load @ 125 VAC or 28 VDC; 2A with resistive load @ 250 VAC. R option - 0.4 VA max @ 20 Vmax (AC or DC)

**Electrical Life:** 50,000 make-and-break cycles at full load

**Contact Resistance:** Below 10 milliohms

max. initial @ 2-4 VDC, 100 mA

**Insulation Resistance:** 1,000 megaohms minimum

**Dielectric Strength:** 1,500 V RMS @ sea level

**Operating Temperature:** -30°C to 85°C

#### MATERIALS

**Case and Bushing:** Glass-filled nylon 6/6, flame retardant, heat stabilized (UL94V-0)

**Actuator:** Nylon, black standard. Internal O-ring seal standard with all actuators.

**Frame:** Spring steel, black (standard)

**Switch Support:** Brass, tin-plated

**Actuator Pivot & Mounting Bracket:** Nylon (UL 94V-0)

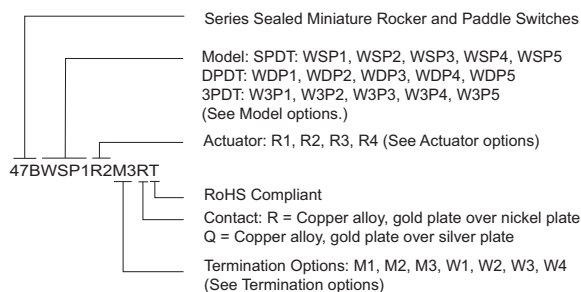
**Actuator Pivot Retainer:** Stainless Steel

**Terminal Seal:** Epoxy

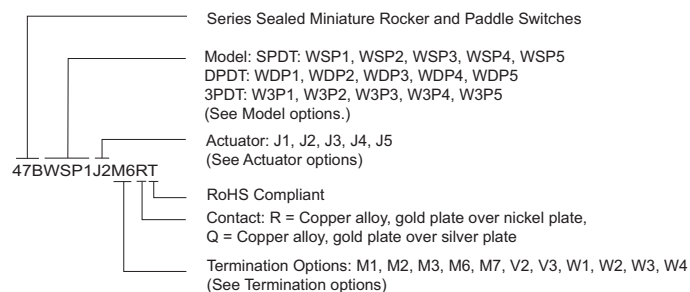
**Terminal/Contacts:** Copper alloy with gold plate over nickel or silver plate

### ORDERING INFORMATION

#### Panel Mount



#### PC Board Mount



**Available from your local Grayhill Component Distributor.**

For prices and discounts, contact a local Sales Office, an authorized local Distributor or Grayhill.