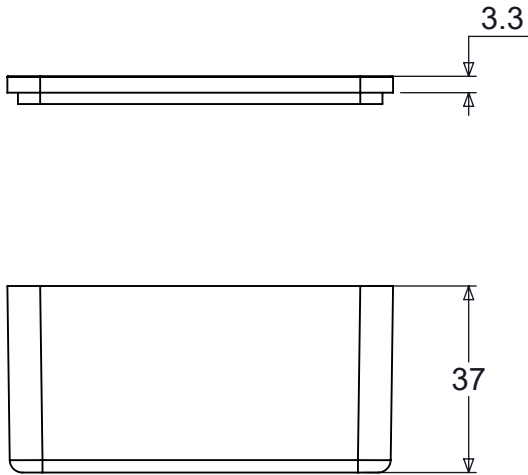
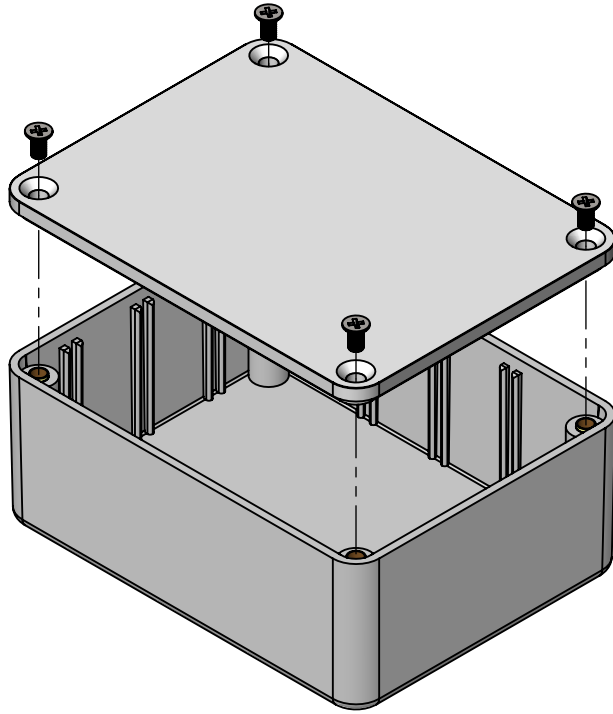


REV	DATE	ECN NUMBER	ECR COMMENT
003	21 Jul 2020	C04677	
002	07 Jul 2020	C04677	ADD RAL COLOURS AND DESCRIPTION

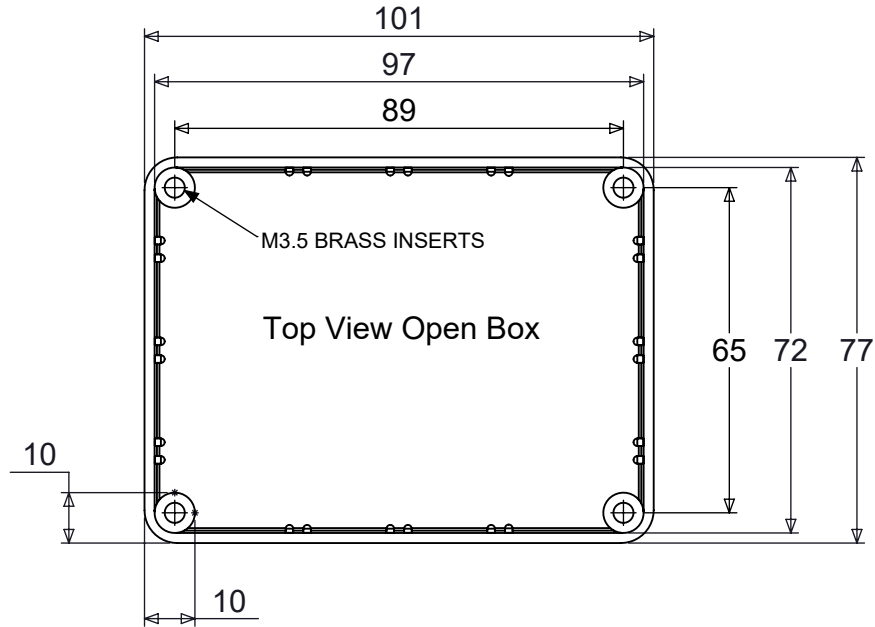


PART NUMBER	COLOUR	RAL No	RAL COLOUR
479-0160-0	CLEAR	N/A	CLEAR
479-0160-1	BLACK	RAL9005	JET BLACK
479-0160-2	BLUE	RAL5002	ULTRAMARINE BLUE
479-0160-3	BROWN	RAL8011	NUT BROWN
479-0160-4	GREEN	RAL6024	TRAFFIC GREEN
479-0160-5	RED	RAL3020	TRAFFIC RED
479-0160-6	WHITE	RAL9003	SIGNAL WHITE
479-0160-7	YELLOW	RAL1021	COLZA YELLOW
479-0160-8	PURPLE	RAL4005	BLUE LILAC
479-0160-9	GREY	RAL7046	TELEGREY2
479-0160-10	ORANGE	RAL2003	PASTEL ORANGE
479-0160-11	CREAM	RAL1015	LIGHT IVORY

- INJECTION MOULDED ENCLOSURE
- DIMENSIONS 101 X 77 X 40
- IMPACT RESISTANT ABS
- IP54 RATED
- ROHS & REACH COMPLIANT
- SMOOTH GLOSSY SURFACE FINISH
- THE LID IS SECURED WITH FOUR M3.5 SCREWS INTO BRASS INSERTS
- EASILY MACHINED

#### OPTIONAL EXTRAS

Self adhesive feet 12mm round x 4mm deep part no - FIX173  
Also available in anti-static material



+44(0)1724 273200  
 www.dem-uk.com

**PROPRIETARY AND CONFIDENTIAL:**  
THE INFORMATION CONTAINED IN THIS DRAWING IS THE SOLE PROPERTY OF ALPHA 3 MANUFACTURING. ANY REPRODUCTION IN PART OR AS A WHOLE WITHOUT THE WRITTEN PERMISSION OF ALPHA 3 MANUFACTURING IS PROHIBITED.

DEM Manufacturing is a division of Alpha 3 Manufacturing LTD  
DEM Manufacturing, Deltron Emcon House, Hargreaves Way,  
Sawcliffe Ind. Park, Scunthorpe, North Lincolnshire, DN15 8RF, UK

UNLESS OTHERWISE SPECIFIED DIMENSIONS ARE IN MILLIMETRES  
LINEAR & RADIAL TOLERANCE:  
**NO DECIMAL PLACES**  
**1 DECIMAL PLACE**  
**2 DECIMAL PLACES**  
**ANGULAR TOLERANCE:**

**IF IN DOUBT ASK! DO NOT SCALE DRAWING!**

FINISH: SMOOTH / GLOSSY

MATERIAL: ABS

THE FINISHED PRODUCT SHOULD BE CLEAN AND FREE FROM ALL LIQUIDS AND DEBRIS. SURFACES SHOULD BE OF UNIFORM APPEARANCE FREE FROM SHARP EDGES, BURRS AND CORROSION

AUTHOR: SB  
EDITOR: DT  
APPROVER: PA

THIRD ANGLE PROJECTION

SHEET 1 OF 1  
SCALE 1:1.5 A4

TITLE: ABS ENCLOSURE  
FILE: 479-0160 Specification  
PART: LID AND BASE ENCL

ISSUE/REV: 003  
RELEASED

EDIT DATE: 20/07/2020  
RELEASE DATE: 21/07/2020