

IEC Connector C15 for hot conditions 120°C, Rewireable, Angled



Rewireable connector



Example with assembled cable



Description

- Cord Connectors (rewireable):
Screw-on mounting
- 1 Function:
- Connector, Pin temperature 120 °C, Protection class I
- Cable

Approvals

- VDE Certificate Number: 40031778
- UL File Number: E96454
- CSA File Number: 56242

References

Substitute for type [8111](#); [8943.LW](#)

Weblinks

[pdf-datasheet](#), [html-datasheet](#), [General Product Information](#), [Approvals](#), [CE declaration of conformity](#), [RoHS](#), [CHINA-RoHS](#), [REACH](#), [Mating Connectors](#), [e-Shop](#), [SCHURTER-Stock-Check](#), [Distributor-Stock-Check](#), [CAD-Drawings](#), [Accessories](#), [Detailed request for product](#)

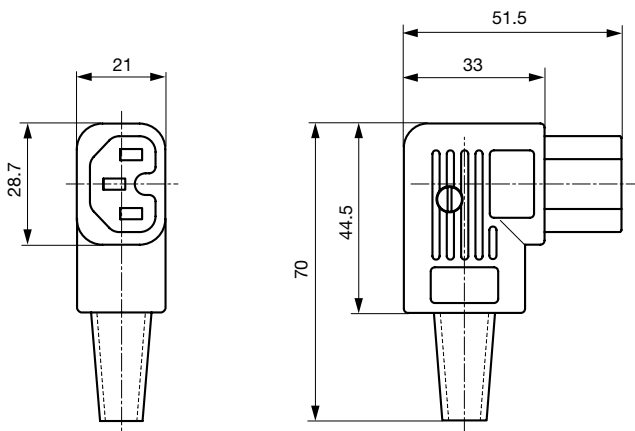
Technical Data

| | |
|---------------------------|---|
| Ratings IEC | 10 A / 250 VAC; 50 Hz |
| Ratings UL/CSA | 15 A / 250 VAC; 60 Hz |
| Dielectric Strength | > 2 kVAC between L-N > 2 kVAC between L/N-PE (1 min/50 Hz) |
| Allowable Operation Temp. | -25 °C to 120 °C |
| Protection Class | Suitable for appliances with protection class I acc. to IEC 61140 |
| Terminal | Cable |
| Material: Housing | Thermoplastic, black, UL 94V-0 |

| | |
|-----------|--|
| Connector | C15 acc. to IEC/EN 60320-1, UL 498, CSA C22.2 no. 42 (for hot conditions) pin-temperature 120 °C, 10 A, Protection Class I |
|-----------|--|

Dimensions

4784



All Variants

| Color | Max. cable diameter | Max. wire size | Order Number |
|-------|---------------------|--------------------------------------|--------------|
| black | 8.5 mm | 3 x 1 mm ² / 3 x 18 AWG | 4784.0000 |
| black | 10 mm | 3 x 2.1 mm ² / 3 x 14 AWG | 4784.0100 |

Max. torque for screws: Terminals: 0.5 Nm, Cable clamps: 0.3 Nm, Cover: 0.3 Nm

Packaging unit 100 Pcs

Mating Inlets/Plugs

Category / Description

Appliance Inlet Overview complete



| | |
|--|--------|
| 6100-3, Mounting: Screw, Solder terminals or quick connect terminals, Appliance Inlet: IEC C14 | 6100-3 |
| 6100-4, Mounting: Snap-in, Solder terminals or quick connect terminals, Appliance Inlet: IEC C14 | 6100-4 |
| IEC Appliance Inlet C18, Screw-on Mounting, Front or Rear Side, Solder or Quick-connect Terminal | 6102-3 |
| IEC Appliance Inlet C18, Snap-in Mounting, Front Side, Solder or Quick-connect Terminal | 6102-5 |
| G-Stecker, Mounting: Appliance Inlet : IEC C14 Without fuse holder | 6150 |
| Appliance Inlet further types to 4784 | ... |

Distribution Unit Overview complete



| | |
|---|------|
| Distribution Unit for Snap-in Mounting with 1 IEC Appliance Inlet C14 and 1 Appliance Outlet F | 0712 |
| Distribution Unit with 1 IEC Appliance Inlet C14 and 2 Appliance Outlets F, Shuttered | 4741 |
| Distribution Unit with 1 IEC Appliance Inlet C14 and 4 Appliance Outlets F | 4747 |
| Distribution Unit with 1 IEC Appliance Inlet C14 or Power Cord, 5 or 6 IEC Appliance Outlets F and Extra Components | 4740 |
| EMC Power Strip with Line Filter | FLBB |
| Distribution Unit further types to 4784 | ... |

Plug Overview complete



| | |
|---|------|
| IEC Plug E, Cord Connector (Rewireable), Straight, max. cable Diameter 8.5 mm | 4732 |
| IEC Plug E, Cord Connector (Rewireable), Straight, max. Cable Diameter 10 mm | 4735 |
| IEC Plug E, Cord Connector (Rewireable), Straight | 9009 |
| IEC Plug E, Cord Connector (Rewireable), Angled, max. Cable Diameter 8.5 mm | 4733 |
| IEC Plug E, Cord Connector (Rewireable), Angled, max. Cable Diameter 10 mm | 4736 |
| Plug further types to 4784 | ... |

Power Entry Module Overview complete



| | |
|--|------|
| DC11, Mounting: Screw, Rocker switch: non-illuminated or illuminated 1 or 2 pole, Quick connect terminals 4.8 x 0.8 mm, Appliance Inlet: IEC C14, Without fuse holder: Suitable for appliances with protection class I or II | DC11 |
| KEB1, Mounting: Screw, Quick connect terminals 4.8 x 0.8 mm, Without fuse holder: Rocker switch, non-illuminated or illuminated, red, 1-pole, Appliance Inlet: IEC C14, 250 VAC, prewired, Suitable for appliances with protection class I | KEB1 |
| KEB2, Mounting: Screw, Quick connect terminals 4.8 x 0.8 mm, Without fuse holder: Rocker switch, non-illuminated or illuminated, 2-pole, Appliance Inlet: IEC C14, 250 VAC, prewired, Suitable for appliances with protection class I | KEB2 |
| DC21, Mounting: Screw Rear Side, Rocker switch: non-illuminated or illuminated 2-pole, Quick connect terminals 4.8 x 0.8 mm Appliance Inlet: IEC C14, Without fuse holder: | DC21 |
| DD11, Mounting: Screw-on mounting, Rocker switch: non-illuminated or illuminated 2-pole, Quick connect terminals 4.8 x 0.8 mm, Appliance Inlet: IEC C14, With or without protection cover, Fuse holder: 1 or 2 pole, Suitable for appliances with protection class I | DD11 |
| Power Entry Module further types to 4784 | ... |

Category / Description

[Power Entry Module with line filter Overview complete](#)



| | |
|--|------|
| KFB1, Mounting: Screw, Front Side, Filter: Standard Version, Without fuse holder: 10 A, Rocker switch: 1-pole, Appliance Inlet: IEC C14, prewired | KFB1 |
| KFB2, Mounting: Screw, Front Side, Filter: Standard and Medical Version, Without fuse holder: 10 A, Rocker switch: 2-pole, Appliance Inlet: IEC C14, prewired | KFB2 |
| DC12, Mounting: Screw, Front-/Rear-Side, Filter, Standard and Medical Version, Without fuse holder: 10 A, Rocker switch: 1 or 2 pole, non-illuminated or illuminated Appliance Inlet: IEC C14, prewired | DC12 |
| DC22 Mounting: Screw, Rear Side, PCB, 10 A, Filter: Standard and Medical Version, Without fuse holder: Rocker switch: 1 or 2 pole, non-illuminated or illuminated, Appliance Inlet: IEC C14, Suitable for appliances with protection class I | DC22 |
| DD12, Mounting: Screw-on mounting, Front Side, Filter, Standard and Medical Version, Fuse holder: 1 or 2 pole, 10 A, Rocker switch: 2-pole, non-illuminated Appliance Inlet: IEC C14, prewired | DD12 |
| Power Entry Module with line filter further types to 4784 | ... |