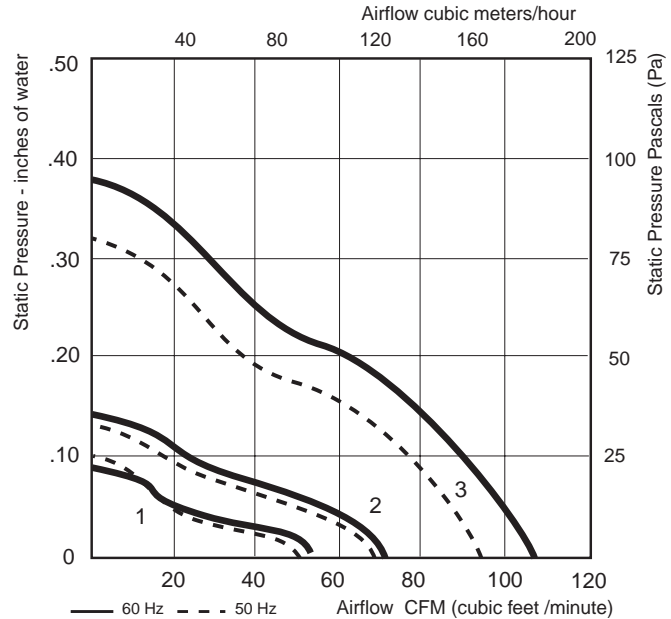
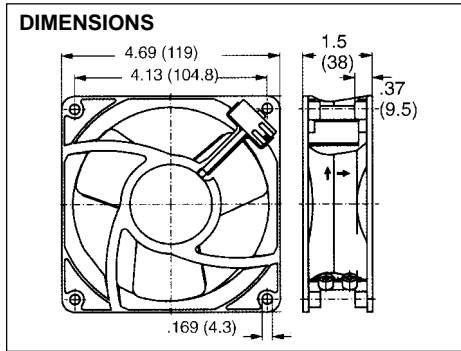


119 x 38mm (4.7" X 1.5") AC FAN

4000Z Series Terminals or Leads Air Exhaust – Over Struts



AVAILABLE WITH:

HIGH PERFORMANCE
SINTEC
SLEEVE BEARING SYSTEM

4.69" X 4.69" X 1.50" AC Fan, All Metal, Air exhaust – Over struts

Curve	PART NUMBER	Type of Bearing	AC Volts	Hertz	Watts	CFM @ 0" dBA	Temp. Max °C	Wgt. (oz)	Features	Approvals*		
										UL	CSA	VDE
1	4800Z	Sleeve	115	50/60	10	56	28	75	Terminals	√	√	√
1	4800ZW	Sleeve	115	50/60	10	56	28	75	22 AWG 12.2" Leads	√	√	√
1	4850Z	Sleeve	230	50/60	10	56	28	75	Terminals	√	√	√
1	4850ZW	Sleeve	230	50/60	10	56	28	75	22 AWG 12.2" Leads	√	√	√
2	4530Z	Sleeve	115	50/60	12	71	33	65	Terminals	√	√	√
2	4530ZW	Sleeve	115	50/60	12	71	33	65	22 AWG 12.2" Leads	√	√	√
2	4580Z	Sleeve	230	50/60	12	71	33	65	Terminals	√	√	√
2	4580ZW	Sleeve	230	50/60	12	71	33	65	22 AWG 12.2" Leads	√	√	√
2	4590ZW	Sleeve	115/230	50/60	12	71	33	65	22 AWG 12.2" Leads	√	√	√
3	4600Z	Sleeve	115	50/60	18	106	45	60	Terminals	√	√	√
3	4600ZW	Sleeve	115	50/60	18	106	45	60	22 AWG 12.2" Leads	√	√	√
3	4650Z	Sleeve	230	50/60	18	106	45	60	Terminals	√	√	√
3	4650ZW	Sleeve	230	50/60	18	106	45	60	22 AWG 12.2" Leads	√	√	√
3	4606Z	Ball	115	50/60	18	106	45	75	Terminals	√	√	√
3	4606ZW	Ball	115	50/60	18	106	45	75	22 AWG 12.2" Leads	√	√	√
3	4656Z	Ball	230	50/60	18	106	45	75	Terminals	√	√	√
3	4656ZW	Ball	230	50/60	18	106	45	75	22 AWG 12.2" Leads	√	√	√
3	4624ZW	Ball	24	50/60	18	106	45	75	22 AWG 12.2" Leads	-	-	-

* UL yellow card E38324, CSA file 27697, VDE file 1176 (4800Z), VDE 6617 (4530 & 4600), 4621 (4850)

CONSTRUCTION MOUNTING & CONNECTION	Mounting:	Either face using four .169" (4.3mm) holes	Weight:	19 ounces (540g)
			Housing:	Metal with metal impeller
			Connection:	Terminals, .110" x .02" (2.8 x .5 mm)

Call **ebm/Papst** at 860-674-1515 • Fax 860-674-8536 • E-mail: sales@ebm.com for Technical Assistance

© ebm/Papst 1995, 1996, 1997. ebm/Papst reserves the right to change any specifications or data without notice.