

PLEASE CHECK WWW.MOLEX.COM FOR LATEST PART INFORMATION

Part Number: **0465629001**
Status: **Active**
Overview: EXTreme Ten60Power™ High-Current Connector
Description: EXTreme Ten60Power™ Vertical Receptacle Assembly, 1 Power Circuit

Documents:

3D Model	Application Specification AS-46436-100-001 (PDF)
Drawing (PDF)	Packaging Specification PK-46562-002-001 (PDF)
Product Specification PS-46436-100-001 (PDF)	RoHS Certificate of Compliance (PDF)

Agency Certification

CSA	LR19980
UL	E29179

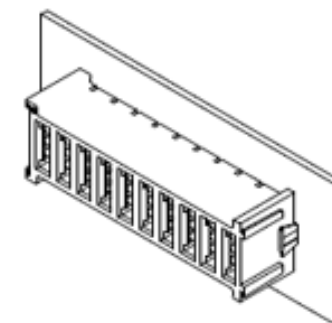
General

Product Family	PCB Receptacles
Series	46562
Application	Board-to-Board, Power
Application Tooling Part Link	62100-7900
Comments	See PS-46436-100 for details
Overview	EXTreme Ten60Power™ High-Current Connector
Product Name	EXTreme Ten60Power™
UPC	884982549975

Physical

(p)ower-(s)ignal Configuration	1p - 0s
Circuits (Loaded)	1
Circuits (maximum)	1
Color - Resin	Black
Durability (mating cycles max)	200
Flammability	94V-0
Glow-Wire Compliant	No
Guide to Mating Part	No
Keying to Mating Part	None
Lock to Mating Part	No
Material - Metal	Copper
Material - Plating Mating	Gold
Material - Plating Termination	Tin
Material - Resin	High Temperature Thermoplastic
Net Weight	1.000/g
Number of Rows	1
Orientation	Vertical
PCB Locator	No
PCB Retention	None
PCB Thickness - Recommended	1.58mm
Packaging Type	Tray
Pitch - Mating Interface	N/A
Plating min - Mating	0.127µm
Plating min - Termination	2.540µm
Polarized to Mating Part	Yes
Polarized to PCB	Yes
Stackable	No
Surface Mount Compatible (SMC)	No
Temperature Range - Operating	-40°C to +105°C
Termination Interface: Style	Through Hole - Compliant Pin

Electrical



Series image - Reference only

EU ELV

Not Reviewed

EU RoHS

Not Reviewed

REACH SVHC

Not Reviewed

Halogen-Free

Status

Not Reviewed

Need more information on product environmental compliance?

Email productcompliance@molex.com
Please visit the [Contact Us](#) section for any non-product compliance questions.

China ROHS	Not Reviewed
ELV	Not Reviewed
RoHS Phthalates	Not Reviewed

Search Parts in this Series

[46562](#) Series

Mates With

[46437](#) EXTreme Ten60Power™ Right Angle Plug Assembly

Application Tooling | FAQ

Tooling specifications and manuals are found by selecting the products below. Crimp Height Specifications are then contained in the Application Tooling Specification document.

Global

Description	Product #
Removal Tool for Ten60 Power Receptacle Terminals	0621007900

Current - Maximum per Contact	2.5A, 55.0A
Grounding to PCB	No
Voltage - Maximum	600V AC / 250V DC

Material Info

Reference - Drawing Numbers

Application Specification	AS-46436-100-001
Packaging Specification	PK-46562-002-001
Product Specification	PS-46436-100-001
Sales Drawing	SD-46562-9000

This document was generated on 09/05/2017

PLEASE CHECK WWW.MOLEX.COM FOR LATEST PART INFORMATION