

PLEASE CHECK WWW.MOLEX.COM FOR LATEST PART INFORMATION

Part Number: [0465621394](#)
Status: **Active**
Overview: EXTreme Ten60Power High-Current Connector
Description: 2.00mm, 5.50mm Pitch EXTreme Ten60Power Vertical Receptacle with Guides, 10 DC Power Circuits, 25 HD Signal Circuits

Documents:

[Drawing \(PDF\)](#) [RoHS Certificate of Compliance \(PDF\)](#)

Agency Certification

CSA LR19980
 UL E29179

Application tooling part link

Application Tooling Part Link 62100-7900

General

Product Family PCB Receptacles
 Series 46562
 Application Board-to-Board, Power, Signal
 Comments See PS-46436-100 for details, See PS-46436-100 for details

Overview

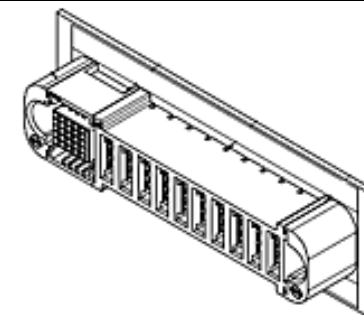
Product Name [EXTreme Ten60Power High-Current Connector](#)
 EXTreme Ten60Power
 UPC 887191128962

Physical

(p)ower-(s)ignal Configuration 10p - 25s
 Circuits (Loaded) 35
 Circuits (maximum) 35
 Color - Resin Black
 Durability (mating cycles max) 200
 Flammability 94V-0
 Glow-Wire Capable No
 Guide to Mating Part Yes
 Mated Height 18.00mm
 Material - Metal Copper Alloy
 Material - Plating Mating Gold
 Material - Plating Termination Matte Tin
 Material - Resin High Temperature Thermoplastic
 Net Weight 25.850/g
 Number of Rows 1
 Orientation Vertical
 PC Tail Length 2.50mm, 2.82mm
 PCB Retention None
 PCB Thickness - Recommended 1.58mm
 Packaging Type Tray
 Pitch - Mating Interface 2.00mm, 5.50mm
 Polarized to Mating Part Yes
 Polarized to PCB Yes
 Stackable No
 Surface Mount Compatible (SMC) No
 Temperature Range - Operating -40° to +105°C
 Termination Interface: Style Through Hole - Compliant Pin

Electrical

Current - Maximum per Contact 2.5A, 60.0A
 Grounding to PCB No



Series image - Reference only

EU ELV

Not Relevant

EU RoHS

Compliant

REACH SVHC

Not Contained Per - ED/71/2019 (16 July 2019)

Halogen-Free

Status

Low-Halogen

For more information, please visit [Contact US](#)

China ROHS

ELV

RoHS Phthalates

Green Image

Not Relevant

Not Contained

Search Parts in this Series

[46562 Series](#)

Application Tooling | FAQ

Tooling specifications and manuals are found by selecting the products below. Crimp Height Specifications are then contained in the Application Tooling Specification document.

Global

Description

Product #

Removal Tool for Ten60 Power Receptacle Terminals [621007900](#)

Voltage - Maximum 600V AC / 250V DC

Solder Process Data

Duration at Max. Process Temperature (seconds) 040

Lead-free Process Capability SMC&WAVE

Max. Cycles at Max. Process Temperature 003

Process Temperature max. C 260

Material Info

Reference - Drawing Numbers

Sales Drawing SD-46562-1394

This document was generated on 09/23/2019

PLEASE CHECK WWW.MOLEX.COM FOR LATEST PART INFORMATION